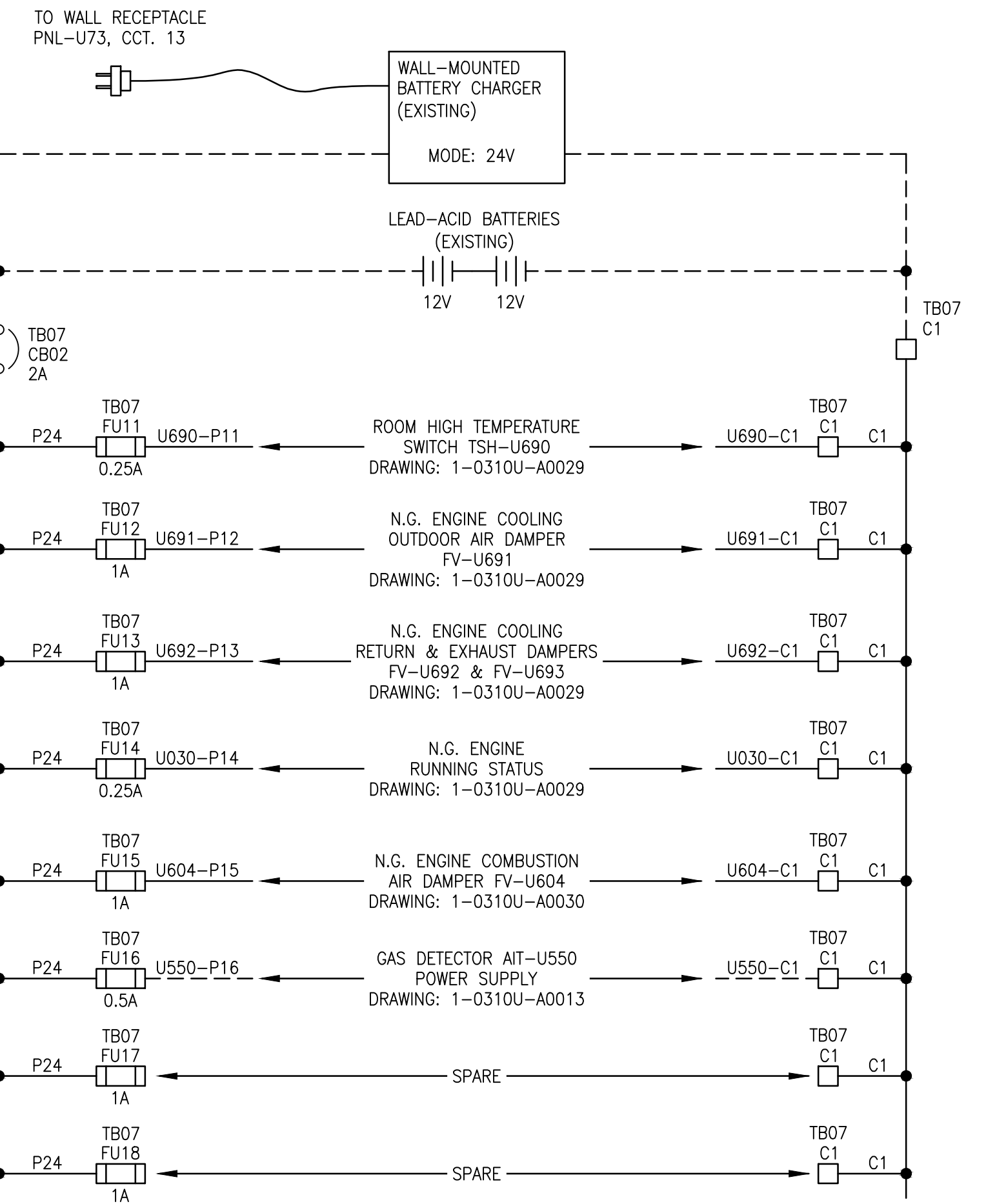
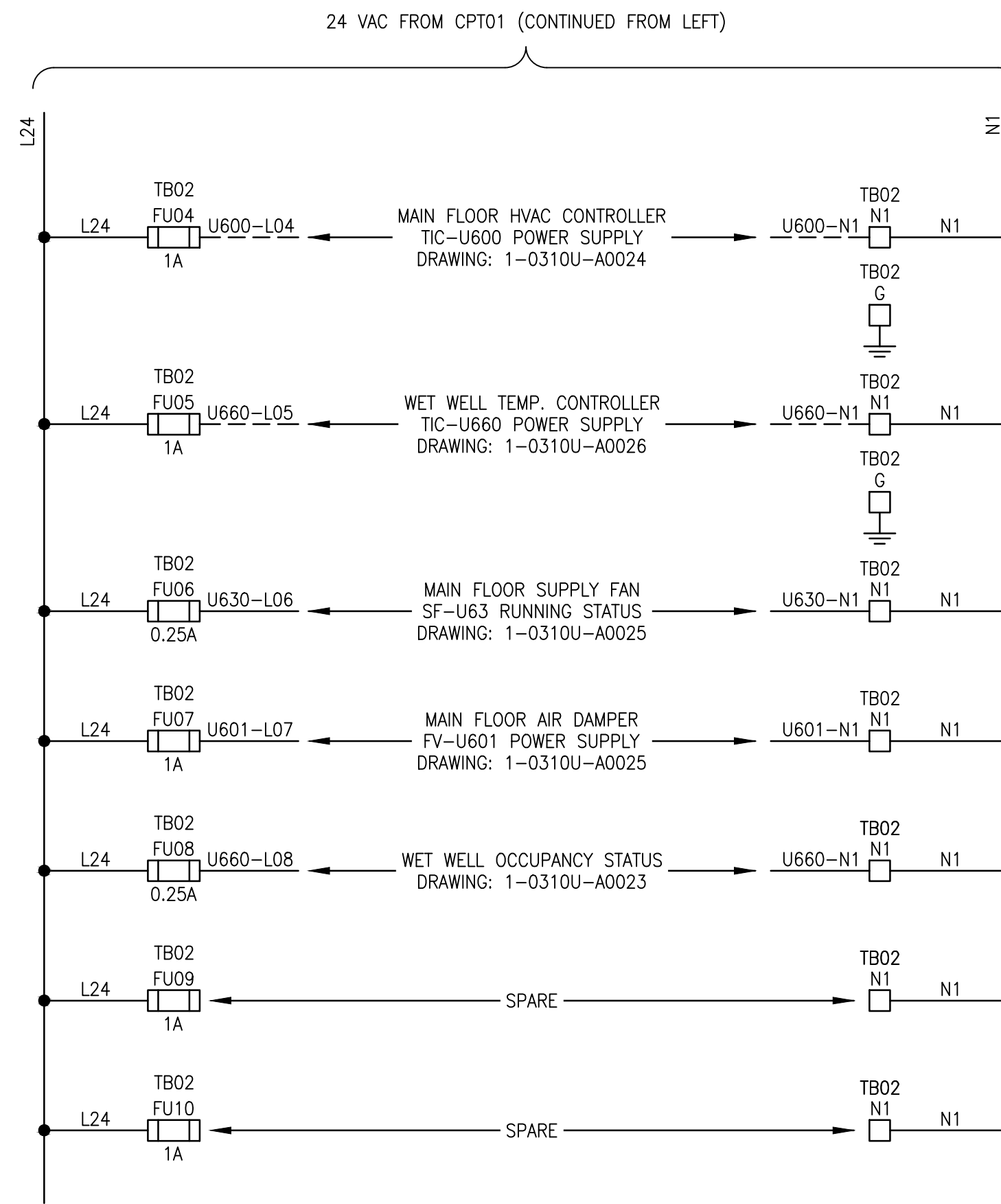
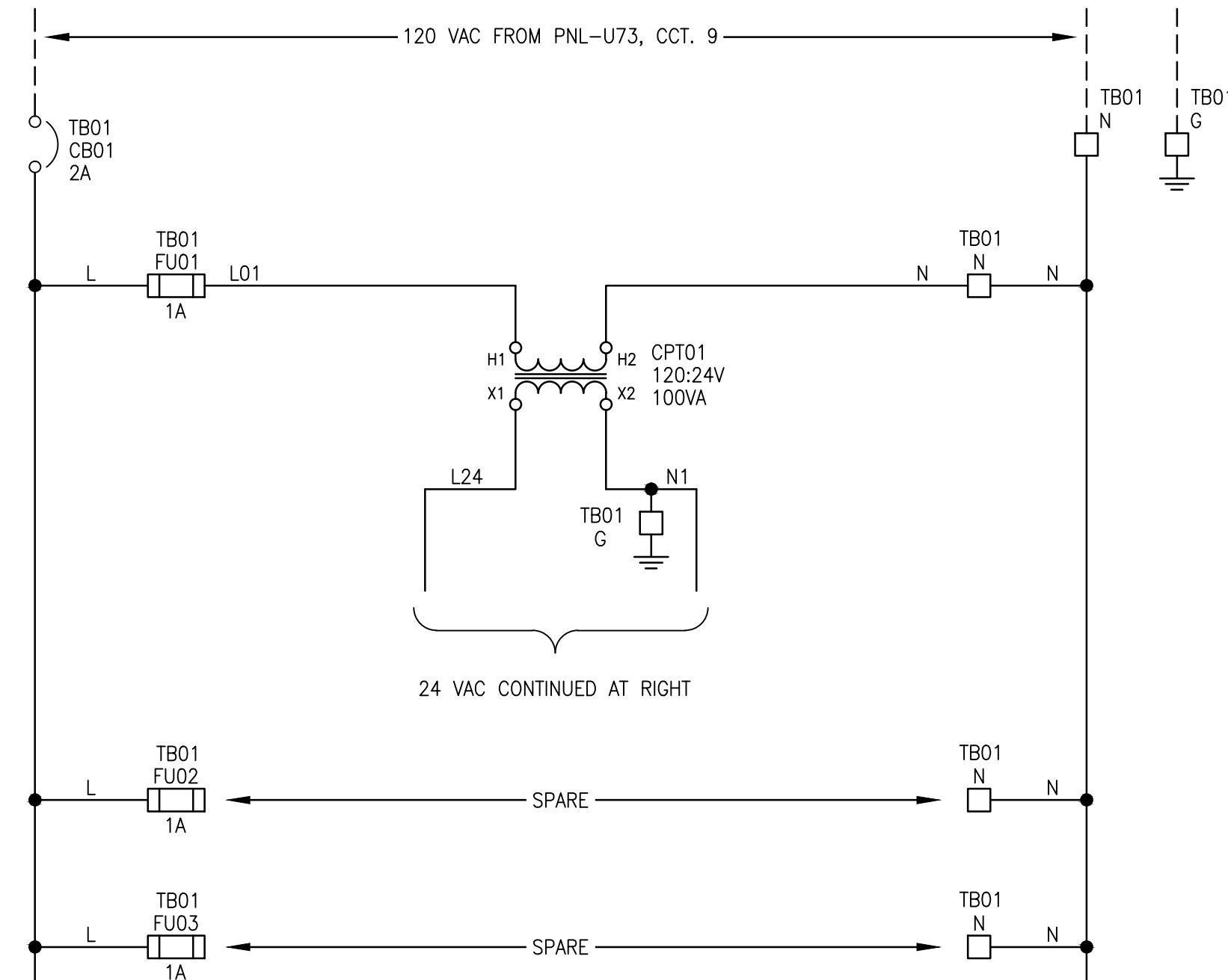


SCHEMATIC:



FUSE SCHEDULE

TB	IDENTIFIER	SIZE	RATED CURRENT (A)
TB01	FU01	5x20mm	1.0
	FU02	5x20mm	1.0
	FU03	5x20mm	1.0
TB02	FU04	5x20mm	1.0
	FU05	5x20mm	1.0
	FU06	5x20mm	0.25
	FU07	5x20mm	1.0
	FU08	5x20mm	0.25
	FU09	5x20mm	1.0
	FU10	5x20mm	1.0
TB03	FU11	5x20mm	0.25
	FU12	5x20mm	1.0
	FU13	5x20mm	1.0
	FU14	5x20mm	0.25
	FU15	5x20mm	1.0
	FU16	5x20mm	0.5
	FU17	5x20mm	1.0
	FU18	5x20mm	1.0

NOTES:

- ALL 120VAC POWER WIRING TO BE A MINIMUM OF 14 AWG UNLESS OTHERWISE INDICATED.
- ALL 24VAC AND 24VDC POWER WIRING TO BE A MINIMUM OF 12 AWG UNLESS OTHERWISE INDICATED.
- REFER TO REFERENCE DRAWINGS FOR PANEL INTERNAL WIRING.



DRAWING NUMBER	REFERENCE DRAWINGS
1-0310U-A0030	ENGINE COMBUSTION AIR DAMPER CONTROL AND ALARM
1-0310U-A0029	ENGINE COOLING DAMPER CONTROL
1-0310U-A0026	HCE-U66 WET WELL DUCT HEATER LOOP DIAGRAM
1-0310U-A0025	FV-U601 MAIN FLOOR DAMPER LOOP DIAGRAM
1-0310U-A0024	HCE-U62 MAIN FLOOR DUCT HEATER LOOP DIAGRAM
1-0310U-A0023	WET WELL OCCUPANCY SWITCH HS-U660 LOOP DIAGRAM
1-0310U-A0022	STATION OCCUPANCY SWITCH HS-U600 LOOP DIAGRAM
1-0310U-A0020	VENTILATION PANEL JBA-U86 LAYOUT

NO.	REVISIONS	DATE	DESIGN	CHECK
00	ISSUED FOR TENDER, BID OPP. 767-2016	2016/08/23	BJC	FA

		SNC-LAVALIN INC. 148 Nature Park Way Winnipeg, MB, Canada R3P 0X7 204-786-8080
DESIGNED BY: B. CLEVEN	CHECKED BY: F. ATAËI	ENGINEER'S SEAL
DRAWN BY: Y. KONIG	APPROVED BY: I. PARKINSON	ORIGINAL DRAWING SEALED BY: B. J. CLEVEN SNC-LAVALIN INC. MEMBER #31479 2016-08-29 REV. 00
SCALE: 1:2	ISSUED FOR CONSTRUCTION BY: K. ZUREK	
DATE: 2016/06/30	DATE: 2016-08-29	
CONSULTANT NO.:		

THE CITY OF WINNIPEG WATER AND WASTE DEPARTMENT ROUTE 90 UNDERPASS PUMPING STATION 2016 UPGRADES POWER DISTRIBUTION VENTILATION PANEL JBA-U86			
CITY DRAWING NUMBER 1-0310U-A0021	SHEET 001	REV. 00	SIZE A1