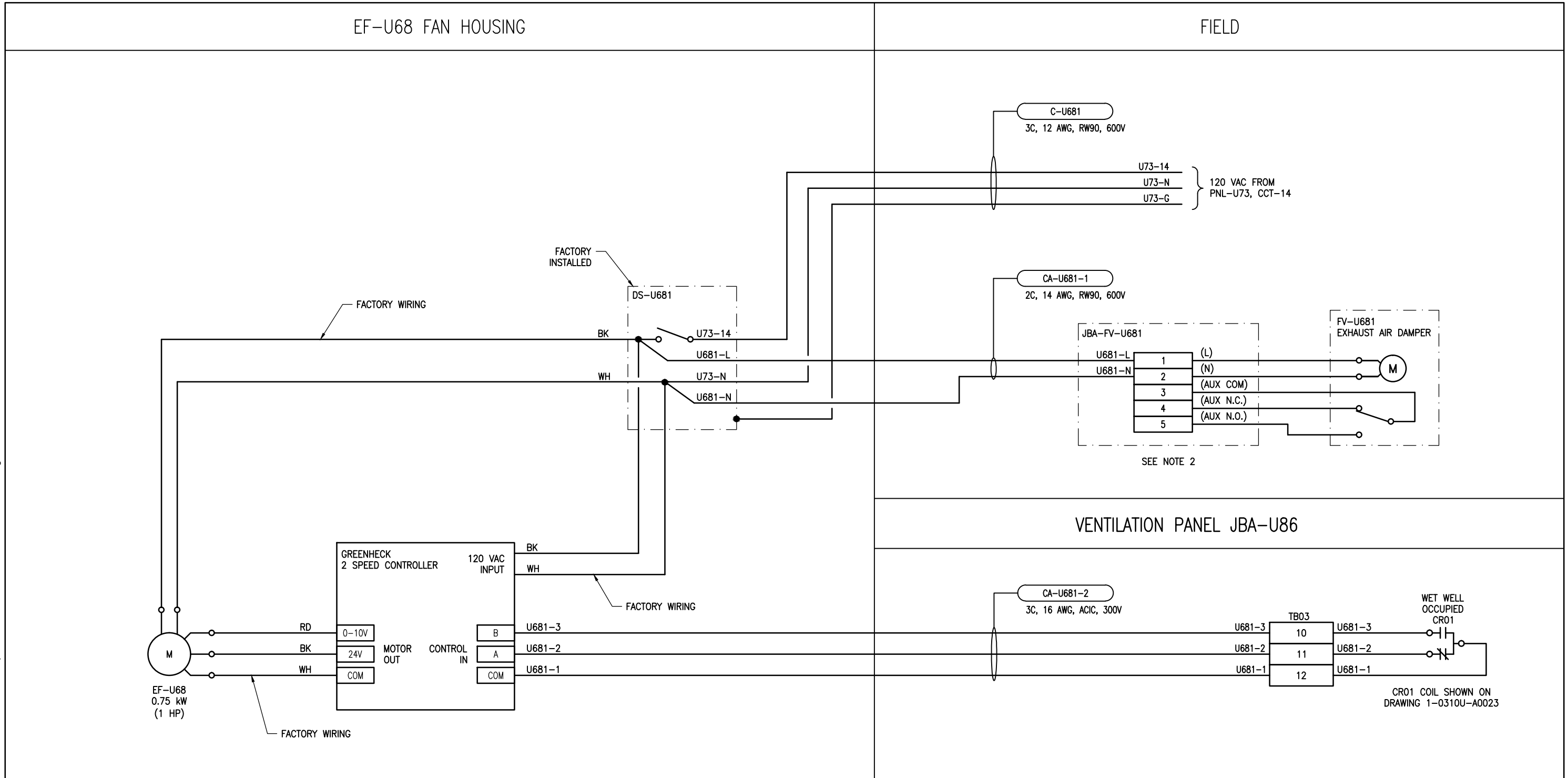


B SIZE - 279mm x 432mm

LAST SAVE: 2016/08/29 - 4:10pm
 PATH: M:\634683\4ENG\481&C\DD - General DWG\1-0310U-A0028-001-00.dwg



NOTES:

- FAN TO RUN CONTINUOUSLY.
 WET WELL UNOCCUPIED : LOW SPEED
 WET WELL OCCUPIED : HIGH SPEED
- PROVIDE AND INSTALL NEW NEMA TYPE 12 JUNCTION BOX COMPLETE WITH TERMINALS AND IDENTIFICATION LAMACOID.

APECM
 Certificate of Authorization
 SNC-Lavalin Inc.
 No. 4489

00	ISSUED FOR TENDER, BID OPP. 767-2016	2016/08/23	BJC	FA
NO.	REVISIONS	DATE	DESIGN	CHECK

SNC-LAVALIN INC.
 148 Nature Park Way
 Winnipeg, MB, Canada R3P 0X7
 204-786-8080

DESIGNED BY: B. CLEVEN
 CHECKED BY: F. ATAEI
 DRAWN BY: G. WILLIAMSON
 APPROVED BY: I. PARKINSON
 SCALE: NTS
 DATE: 2016/07/05
 ISSUED FOR CONSTRUCTION
 BY: K. ZUREK
 DATE: 2016-08-29
 CONSULTANT NO.:

ENGINEER'S SEAL

ORIGINAL DRAWING
 SEALED BY:
 B. J. CLEVEN
 SNC-LAVALIN INC.
 MEMBER # 31479
 2019-08-29
 REV.00

THE CITY OF WINNIPEG
 WATER AND WASTE DEPARTMENT

ROUTE 90 UNDERPASS PUMPING STATION
 2016 UPGRADES
 LOOP DIAGRAM
 WET WELL EXHAUST FAN
 EF-U68

CITY DRAWING NUMBER	SHEET	REV.	SIZE
1-0310U-A0028	001	00	B