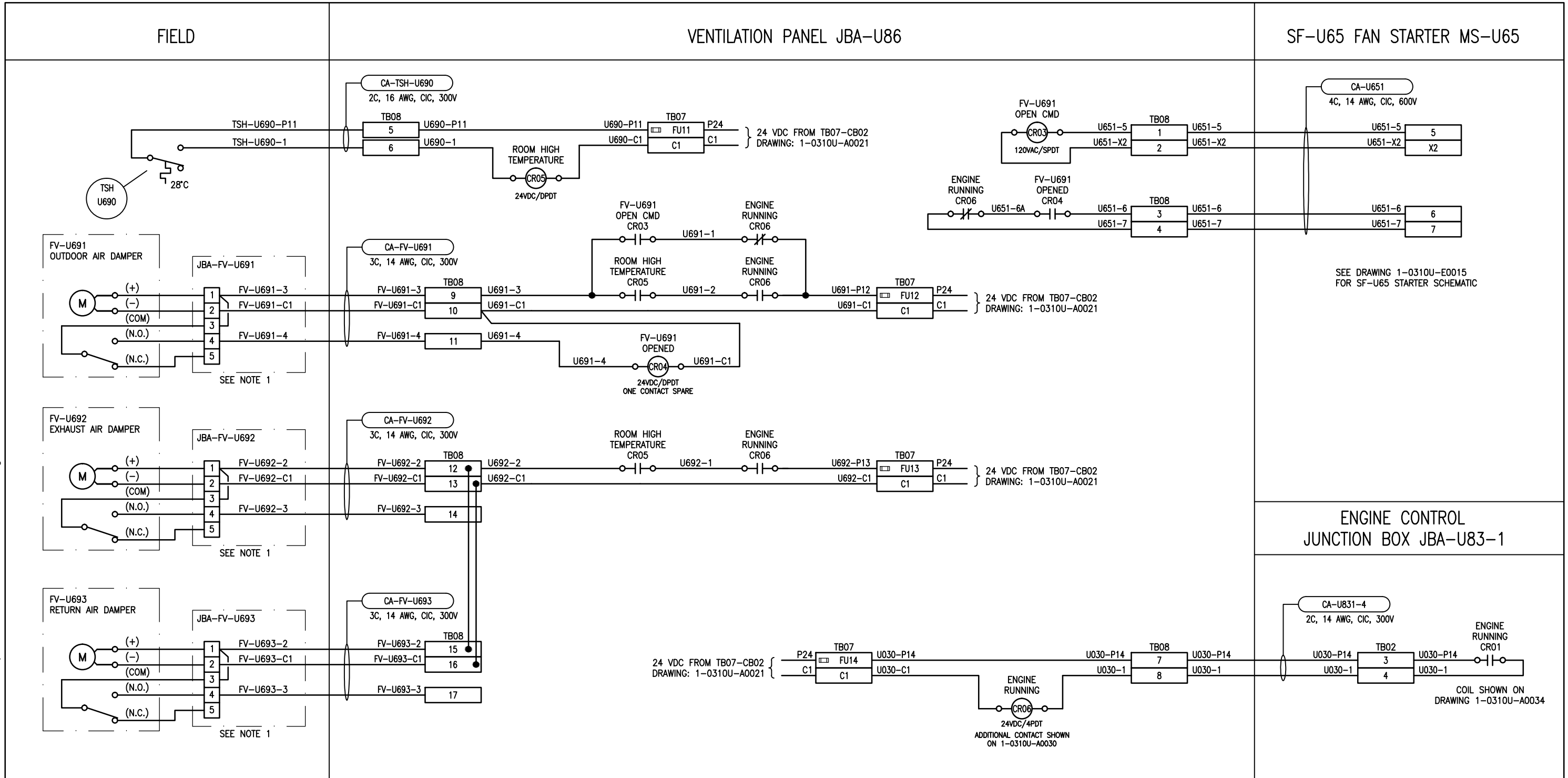


B SIZE - 279mm x 432mm

LAST SAVE: 2016/08/29 - 4:11pm  
 PATH: M:\634683\4ENG\48&C\DD - General DWG\1-0310U-A0029-001-00.dwg



SEE DRAWING 1-0310U-E0015 FOR SF-U65 STARTER SCHEMATIC

ENGINE CONTROL JUNCTION BOX JBA-U83-1

**NOTES:**  
 1. PROVIDE AND INSTALL NEW NEMA TYPE 12 JUNCTION BOX, COMPLETE WITH TERMINALS AND IDENTIFICATION LAMACOID.



**SNC-LAVALIN INC.**  
 148 Nature Park Way  
 Winnipeg, MB, Canada R3P 0X7  
 204-786-8080

NO.	REVISIONS	DATE	DESIGN	CHECK
00	ISSUED FOR TENDER, BID OPP. 767-2016	2016/08/23	BJC	FA

DESIGNED BY: B. CLEVEN	CHECKED BY: F. ATAEI
DRAWN BY: G. WILLIAMSON	APPROVED BY: I. PARKINSON
SCALE: NTS	DATE: 2016/08/04
ISSUED FOR CONSTRUCTION BY: K. ZUREK	DATE: 2016-08-29
CONSULTANT NO.:	

ENGINEER'S SEAL  
 ORIGINAL DRAWING SEALED BY:  
 B. J. CLEVEN  
 SNC-LAVALIN INC.  
 MEMBER # 31479  
 2019-08-29  
 REV.00

**THE CITY OF WINNIPEG**  
 WATER AND WASTE DEPARTMENT

ROUTE 90 UNDERPASS PUMPING STATION  
 2016 UPGRADES  
 LOOP DIAGRAM  
 ENGINE COOLING DAMPER CONTROL  
 FV-U691, FV-U692, FV-U693

CITY DRAWING NUMBER	SHEET	REV.	SIZE
1-0310U-A0029	001	00	B