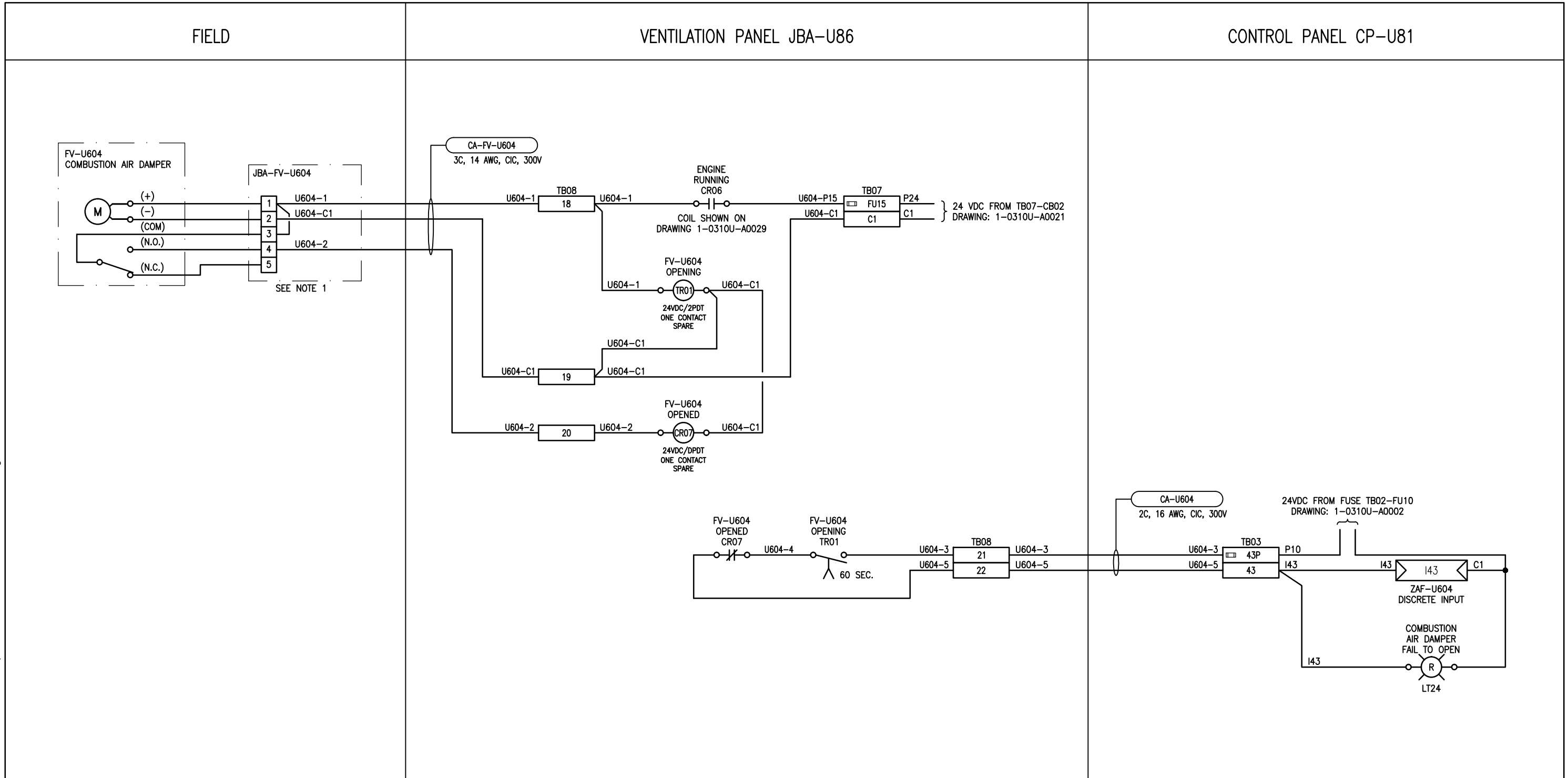


B SIZE - 279mm x 432mm

LAST SAVE: 2016/08/29 - 4:11pm
 PATH: M:\634683\4ENG\48&C\DD - General DWG\1-0310U-A0030-001-00.dwg



NOTES:
 1. PROVIDE AND INSTALL NEW NEMA TYPE 12 JUNCTION BOX, COMPLETE WITH TERMINALS AND IDENTIFICATION LAMACOID.



SNC-LAVALIN INC.
 148 Nature Park Way
 Winnipeg, MB, Canada R3P 0X7
 204-786-8080

NO.	REVISIONS	DATE	DESIGN	CHECK
00	ISSUED FOR TENDER, BID OPP. 767-2016	2016/08/23	BJC	FA

DESIGNED BY: B. CLEVEN	CHECKED BY: F. ATAEI
DRAWN BY: G. WILLIAMSON	APPROVED BY: I. PARKINSON
SCALE: NTS	DATE: 2016/08/04
ISSUED FOR CONSTRUCTION BY: K. ZUREK	DATE: 2016-08-29
CONSULTANT NO.:	

ENGINEER'S SEAL
 ORIGINAL DRAWING SEALED BY:
 B. J. CLEVEN
 SNC-LAVALIN INC.
 MEMBER # 31479
 2019-08-29
 REV.00

THE CITY OF WINNIPEG
 WATER AND WASTE DEPARTMENT

ROUTE 90 UNDERPASS PUMPING STATION
 2016 UPGRADES
 LOOP DIAGRAM
 ENGINE COMBUSTION AIR DAMPER
 FV-U604

CITY DRAWING NUMBER	SHEET	REV.	SIZE
1-0310U-A0030	001	00	B