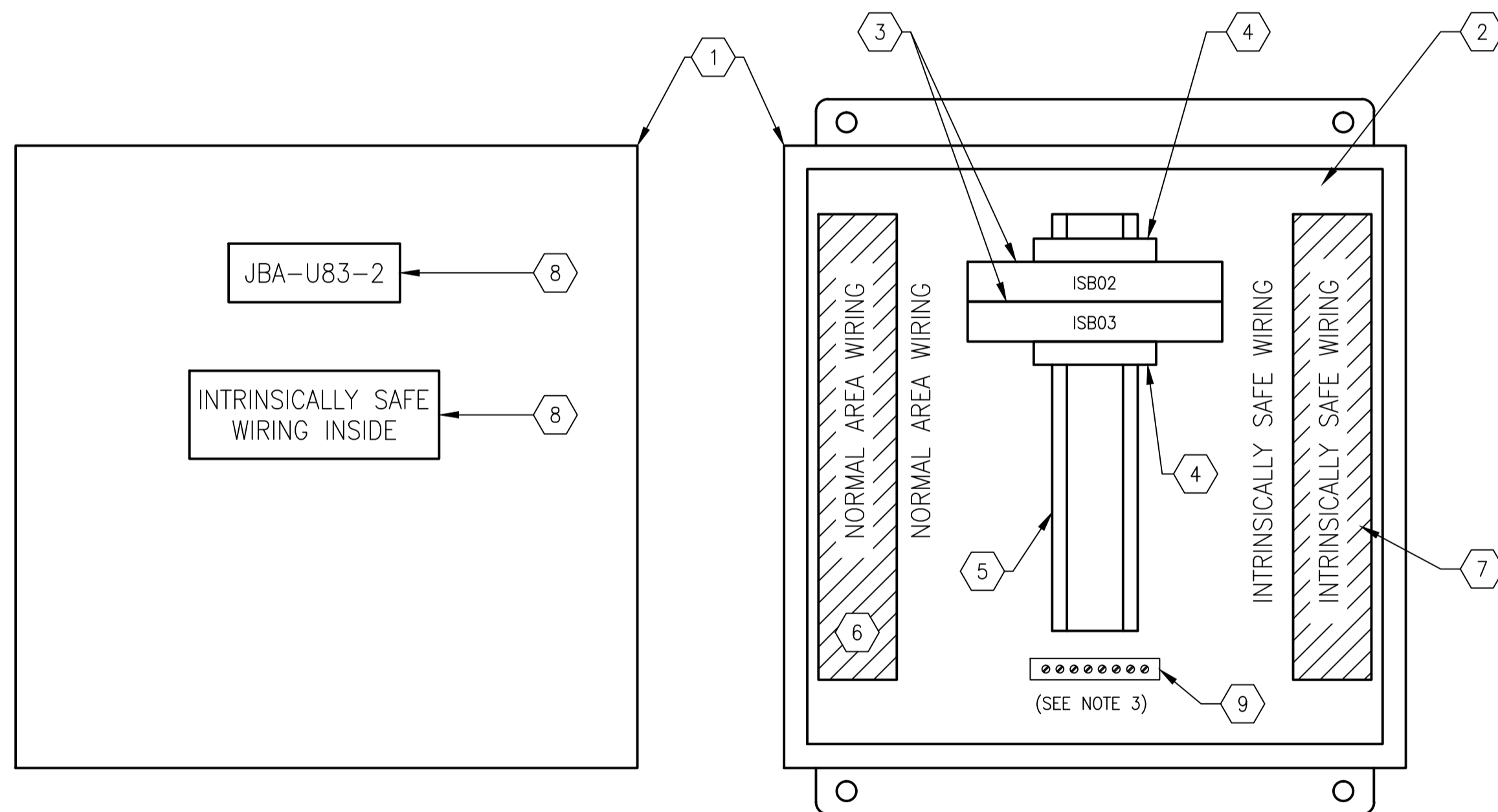


EXTERIOR PANEL VIEW
SCALE: 1 : 2

INTERIOR PANEL VIEW
SCALE: 1 : 2



EXTERIOR PANEL VIEW
SCALE: 1 : 2

INTERIOR PANEL VIEW
SCALE: 1 : 2

JBA-U500-1 BILL OF MATERIAL				
ITEM	QTY	DESCRIPTION	MANUFACTURER	CATALOG NUMBER
1	1	JUNCTION BOX, NEMA 12, CONTINUOUS-HINGE, 254x254x152mm	HOFFMAN	A10106CH
2	1	BACKPAN	HOFFMAN	A10P10
3	1	INTRINSICALLY SAFE ISOLATING BARRIER, DIGITAL INPUT, 2 CHANNEL	MTL	MTL5516C
4	2	TERMINAL END CLAMP	PHOENIX CONTACT	1201442
5	AS REQ'D	35mm DIN RAIL	PHOENIX CONTACT	0801733
6	AS REQ'D	NARROW SLOT WIRING DUCT, 1.25" x 2.12", GREY	PANDUIT	F1X2LG6
7	AS REQ'D	NARROW SLOT WIRING DUCT, 1.25" x 2.12", BLUE	PANDUIT	F1X2IB6
8	AS REQ'D	LAMACOID, 5mm HIGH BLACK TEXT ON WHITE BACKGROUND	-	-
9	1	GROUND BAR, 6 TAP	ILSCO	D167-6

JBA-U83-2 BILL OF MATERIAL				
ITEM	QTY	DESCRIPTION	MANUFACTURER	CATALOG NUMBER
1	1	JUNCTION BOX, NEMA 12, CONTINUOUS-HINGE, 254x254x152mm	HOFFMAN	A10106CH
2	1	BACKPAN	HOFFMAN	A10P10
3	2	INTRINSICALLY SAFE ZEENER BARRIER	PEPPERL+FUCHS	Z713
4	2	TERMINAL END CLAMP	PHOENIX CONTACT	1201442
5	AS REQ'D	35mm DIN RAIL	PHOENIX CONTACT	0801733
6	AS REQ'D	NARROW SLOT WIRING DUCT, 1.25" x 2.12", GREY	PANDUIT	F1X2LG6
7	AS REQ'D	NARROW SLOT WIRING DUCT, 1.25" x 2.12", BLUE	PANDUIT	F1X2IB6
8	AS REQ'D	LAMACOID, 5mm HIGH BLACK TEXT ON WHITE BACKGROUND	-	-
9	1	GROUND BAR, 6 TAP	ILSCO	D167-6

NOTES:

- LABEL WIREWAY COVERS AND ENCLOSURE BACKPAN AS SHOWN.
- PROVIDE IDENTIFICATION OF ISOLATORS BY MEANS OF COMPUTER GENERATED ADHESIVE LABELS.
- CONNECT GROUND TERMINALS OF BARRIERS ISB02 AND ISB03 TO THE GROUND BAR.



NO.	REVISIONS	DATE	DESIGN	CHECK
00	ISSUED FOR TENDER, BID OPP. 767-2016	2016/08/23	BJC	FA

SNC-LAVALIN INC.
148 Nature Park Way
Winnipeg, MB, Canada R3P 0X7
204-786-8080

DESIGNED BY: B. CLEVEN
CHECKED BY: F. ATAEI
DRAWN BY: Y. KONIG
APPROVED BY: I. PARKINSON
SCALE: 1:2
ISSUED FOR CONSTRUCTION BY: K. ZUREK
DATE: 2016/03/23
DATE: 2016-08-29

CONSULTANT NO.:

ENGINEER'S SEAL

ORIGINAL DRAWING SEALED BY:
B. J. CLEVEN
SNC-LAVALIN INC.
MEMBER #31479
2016-08-29
REV. 00

THE CITY OF WINNIPEG
WATER AND WASTE DEPARTMENT

ROUTE 90 UNDERPASS PUMPING STATION
2016 UPGRADES
JUNCTION BOX LAYOUTS
JBA-U500-1, JBA-U83-2

CITY DRAWING NUMBER: 1-0310U-A0032
SHEET: 001
REV: 00
SIZE: A1

1-0310U-A0034	ENGINE E-U03 STATUS AND CONTROL
1-0310U-A0015	WET WELL HIGH LEVEL SWITCHES LOOP DIAGRAM
DRAWING NUMBER	REFERENCE DRAWINGS