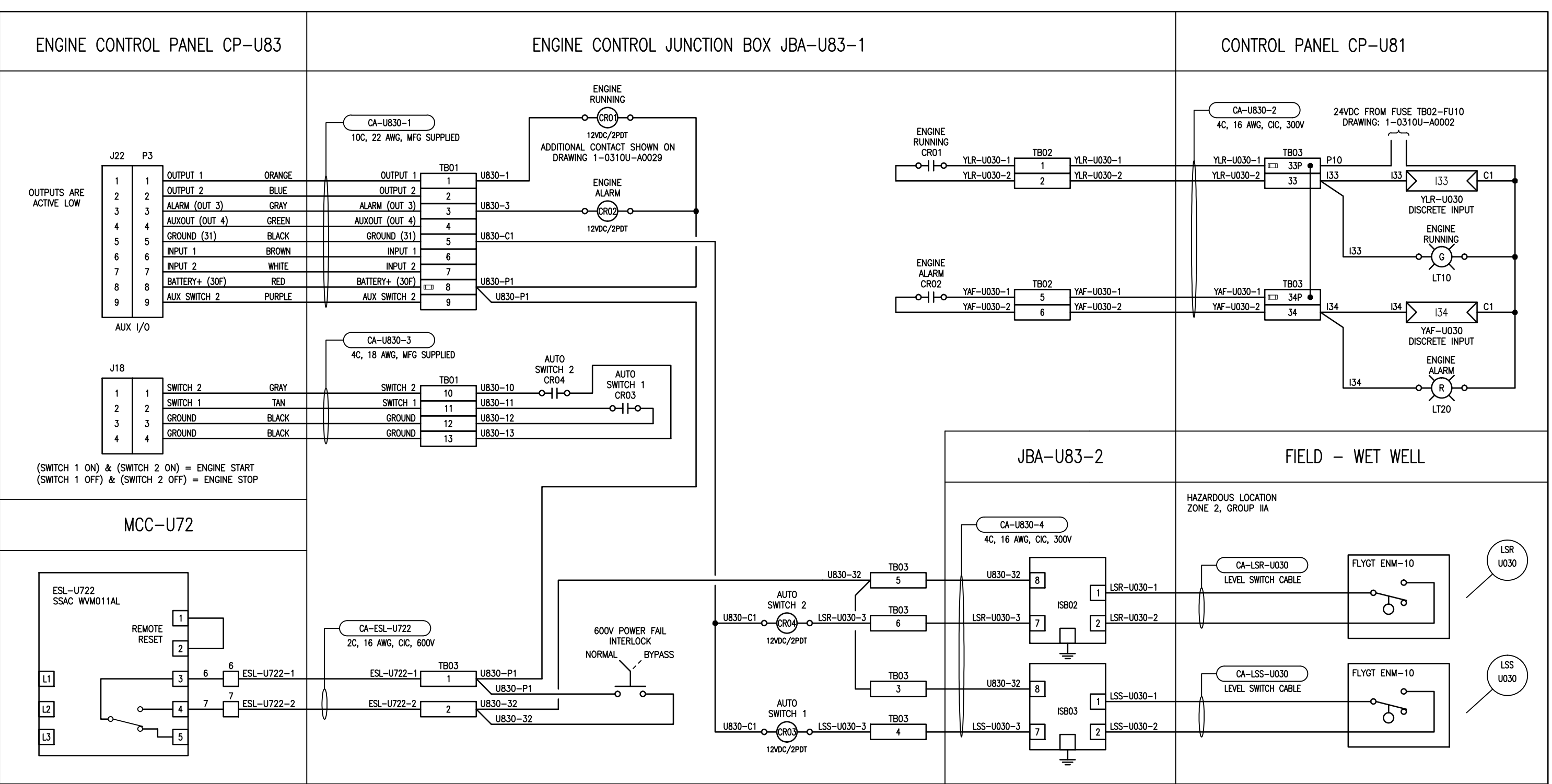


LAST SAVE: 2016/08/29 - 4:14pm  
 PATH: M:\634683\4ENG\48&C\DD - General DWG\1-0310U-A0034-001-00.dwg  
 B SIZE - 279mm x 432mm



**SNC-LAVALIN INC.**  
 148 Nature Park Way  
 Winnipeg, MB, Canada R3P 0X7  
 204-786-8080

DESIGNED BY: B. CLEVEN	CHECKED BY: F. ATAEI			
DRAWN BY: Y. KONIG	APPROVED BY: I. PARKINSON			
SCALE: NTS	DATE: 2016/07/05			
ISSUED FOR CONSTRUCTION				
BY: K. ZUREK	DATE: 2016-08-29			
CONSULTANT NO.:				
00	ISSUED FOR TENDER, BID OPP. 767-2016	2016/08/23	BJC	FA
NO.	REVISIONS	DATE	DESIGN	CHECK

ENGINEER'S SEAL

ORIGINAL DRAWING  
SEALED BY:  
B. J. CLEVEN  
SNC-LAVALIN INC.  
MEMBER # 31479  
2019-08-29  
REV.00

**THE CITY OF WINNIPEG**  
 WATER AND WASTE DEPARTMENT

ROUTE 90 UNDERPASS PUMPING STATION  
 2016 UPGRADES  
 LOOP DIAGRAM  
 ENGINE ENG-U03 STATUS AND CONTROL

CITY DRAWING NUMBER	SHEET	REV.	SIZE
1-0310U-A0034	001	00	B