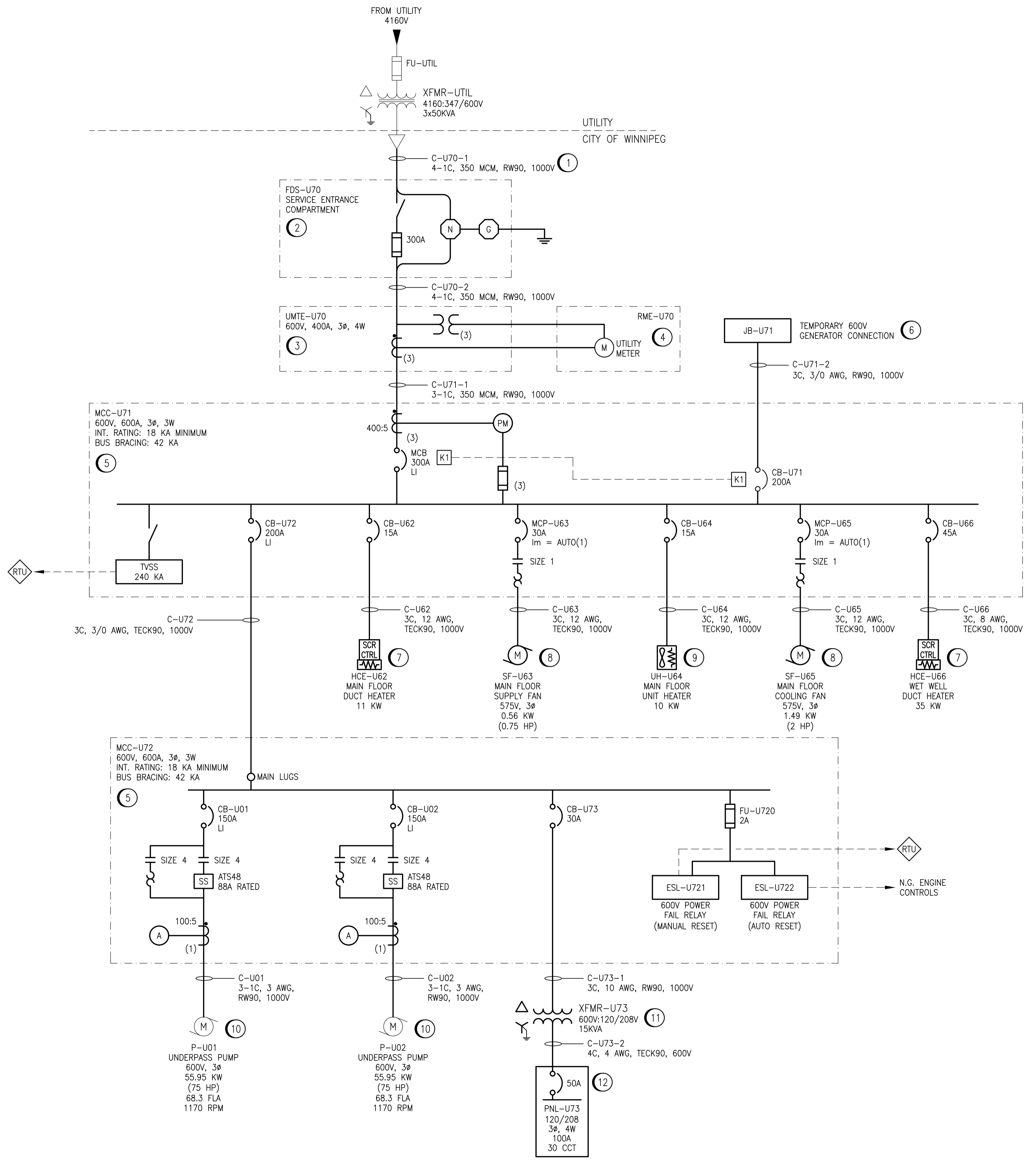


BREAKER PROTECTION SETTINGS								
CIRCUIT BREAKER	MODEL	FRAME	SENSOR/TRIP UNIT	LTPU (tr)	LTD (tr)	STPU (tsd)	STD (tsd)	INST (ti)
MCC-U71.MCB	POWERPACT LG	600A	400A	300A	8 SEC.	-	-	4 (1600A)
MCC-U71.CB-U71	POWERPACT JG	250A	200A	200A	-	-	-	10 (2000A)
MCC-U71.CB-U72	POWERPACT JG	250A	200A	200A	8 SEC.	-	-	5 (1250A)
MCC-U72.CB-U01	POWERPACT HG	150A	150A	150A	8 SEC.	-	-	6 (900A)
MCC-U72.CB-U02	POWERPACT HG	150A	150A	150A	8 SEC.	-	-	6 (900A)

LEGEND:
 _____ EXISTING
 _____ NEW WORK
 [K1] KIRK KEY INTERLOCK
 [RTU] REMOTE TERMINAL UNIT

GENERAL NOTES
 1. LOAD SHEDDING OF HVAC HEATING LOADS MAY BE REQUIRED WHILE RUNNING ON GENERATOR POWER.

- CONSTRUCTION NOTES**
- ① PROVIDE AND INSTALL NEW SERVICE CONDUCTORS.
 - ② PROVIDE AND INSTALL NEW SERVICE ENTRANCE RATED FUSIBLE DISCONNECT SWITCH.
 - ③ PROVIDE AND INSTALL NEW UTILITY METERING TRANSFORMER ENCLOSURE.
 - ④ PROVIDE AND INSTALL NEW REMOTE METERING ENCLOSURE. MB HYDRO TO INSTALL METER SOCKET, METER, AND TEST SWITCH INTO ENCLOSURE.
 - ⑤ PROVIDE AND INSTALL NEW MOTOR CONTROL CENTRE.
 - ⑥ PROVIDE AND INSTALL NEW TEMPORARY GENERATOR CONNECTION ENCLOSURE.
 - ⑦ PROVIDE AND INSTALL NEW ELECTRIC DUCT HEATER.
 - ⑧ PROVIDE AND INSTALL NEW SUPPLY FAN.
 - ⑨ PROVIDE AND INSTALL NEW UNIT HEATER.
 - ⑩ RECONNECT TO EXISTING UNDERPASS PUMP MOTOR. RE-USE EXISTING CONDUIT.
 - ⑪ PROVIDE AND INSTALL NEW 600V:120/208V TRANSFORMER.
 - ⑫ PROVIDE AND INSTALL NEW 120/208V PANELBOARD.



NO.	REVISIONS	DATE	DESIGN	CHECK
00	ISSUED FOR TENDER, BID OPP: 767-2016	2016/08/23	BJC	DB

 SNC-LAVALIN INC. 148 Nature Park Way Winnipeg, MB, Canada R3P 0X7 204-786-8080		ENGINEER'S SEAL ORIGINAL DRAWING SEALED BY: B. J. CLEVEN SNC-LAVALIN INC. MEMBER # 31479 2016-08-29 REV. 00
DESIGNED BY: B. CLEVEN DRAWN BY: Y. KONIG SCALE: 1:20 DATE: 2016/05/17	CHECKED BY: D. BECKER APPROVED BY: I. PARKINSON ISSUED FOR CONSTRUCTION BY: K. ZUREK DATE: 2016-08-29	CONSULTANT NO.:

THE CITY OF WINNIPEG
 WATER AND WASTE DEPARTMENT

 ROUTE 90 UNDERPASS PUMPING STATION
 2016 UPGRADES
 ELECTRICAL SINGLE LINE DIAGRAM

 CITY DRAWING NUMBER: 1-0310U-E0002
 SHEET: 001
 REV: 00
 SIZE: A1

DRAWING NUMBER	REFERENCE DRAWINGS
----------------	--------------------