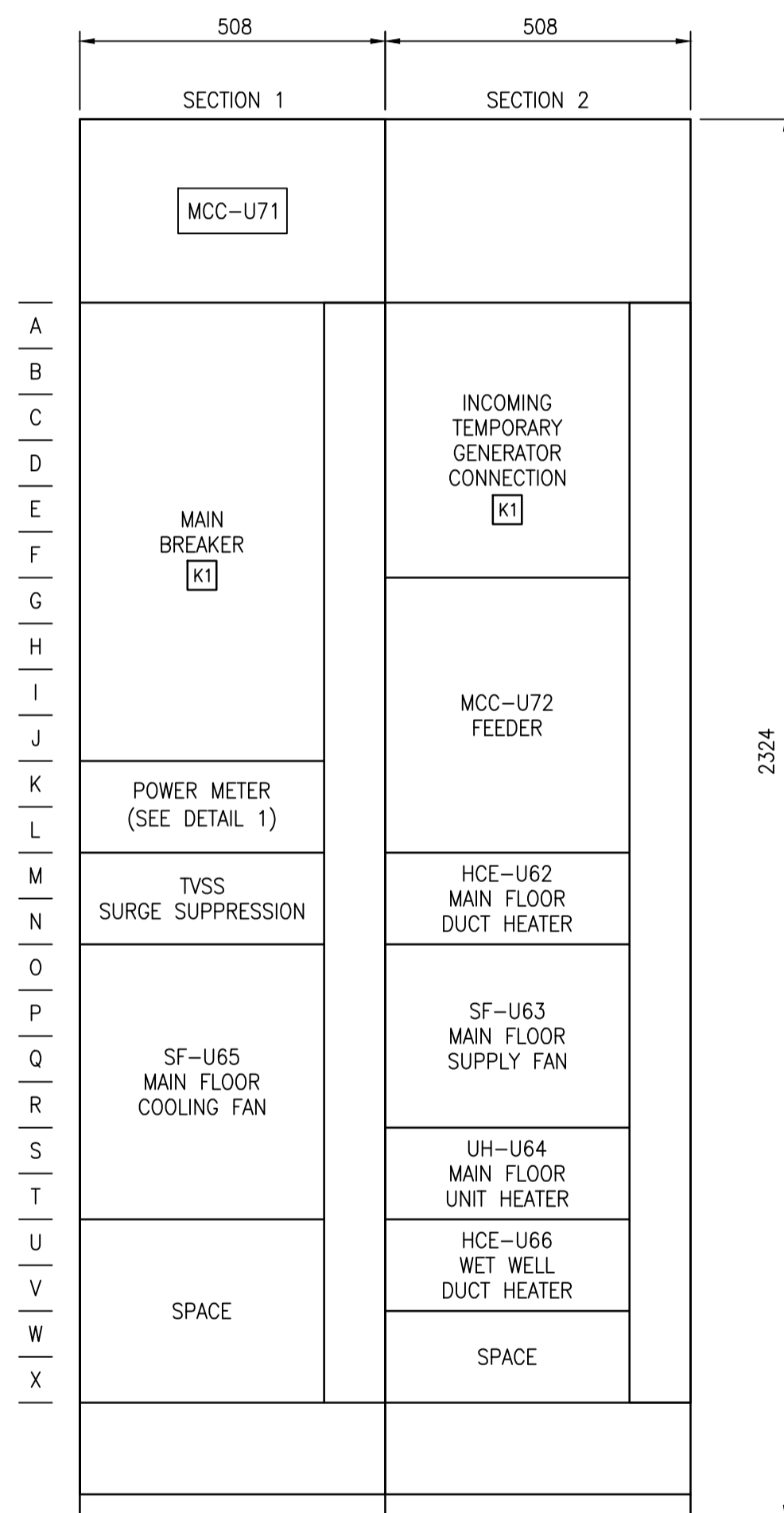


MCC-U71 REQUIREMENTS:

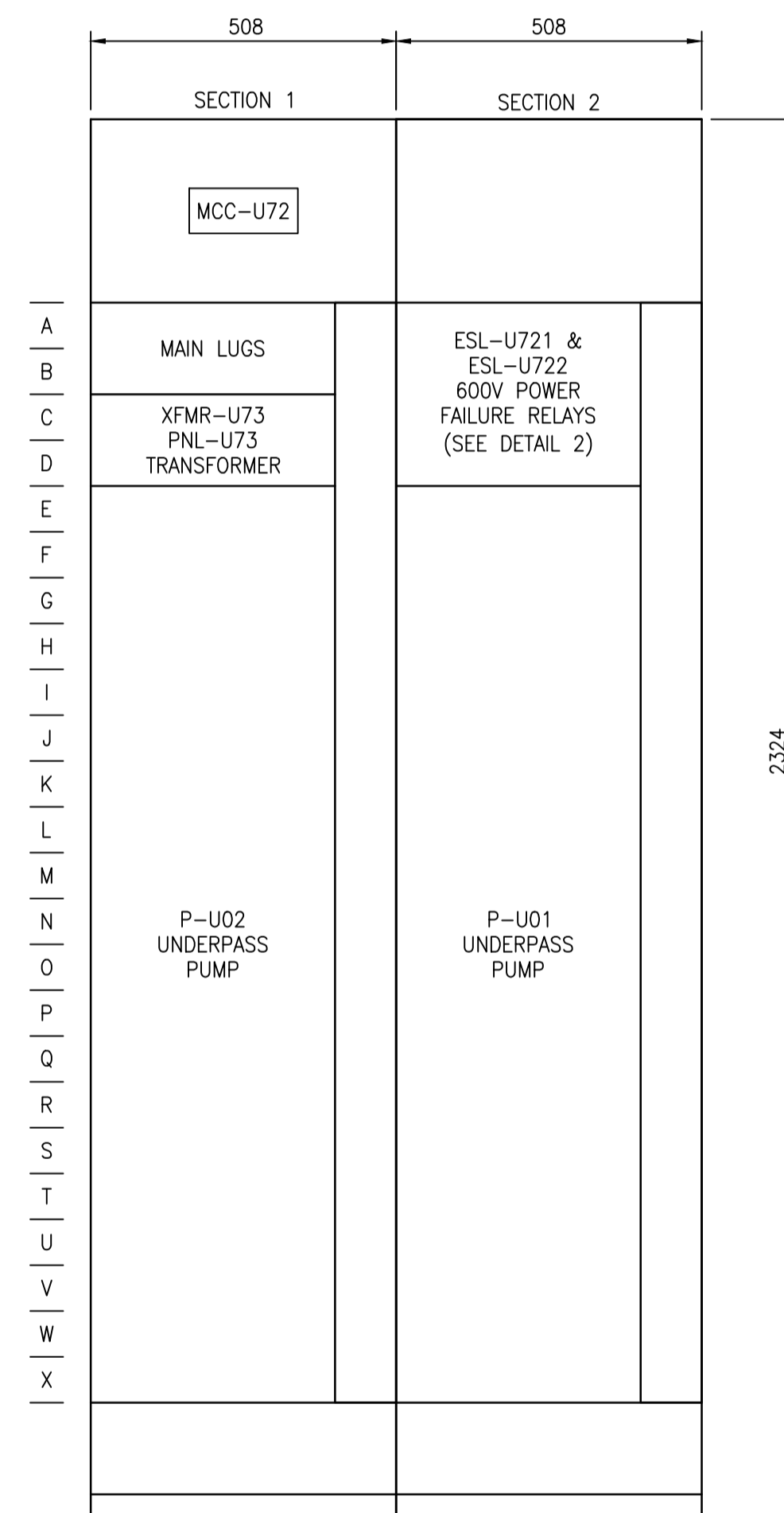
IDENTIFIER: MCC-U71		
ENCLOSURE TYPE: NEMA 1A	MOUNTING: FRONT	DEPTH: 508mm
SUPPLY VOLTAGE: 600V, 3 ϕ , 3W, 60HZ		INCOMING NEUTRAL TERMINATION: NO
CONTROL VOLTAGE: 120V, 60HZ	WIRING: CLASS I, TYPE Bd OR Bt AS SHOWN ON THE DRAWINGS	
MINIMUM BUS RATING:	HORIZONTAL: 600A	VERTICAL: AS REQ'D
SUITABLE FOR SERVICE ENTRANCE: NO	NEUTRAL BUS: NO	
BUS BRACING: 42kA	SCCR: 18 kA	SERIES SCCR PERMITTED: NO
BUS MATERIAL: TIN PLATED COPPER		
MANUFACTURER: SCHNEIDER ELECTRIC		MODEL: MODEL 6

MCC-U72 REQUIREMENTS:

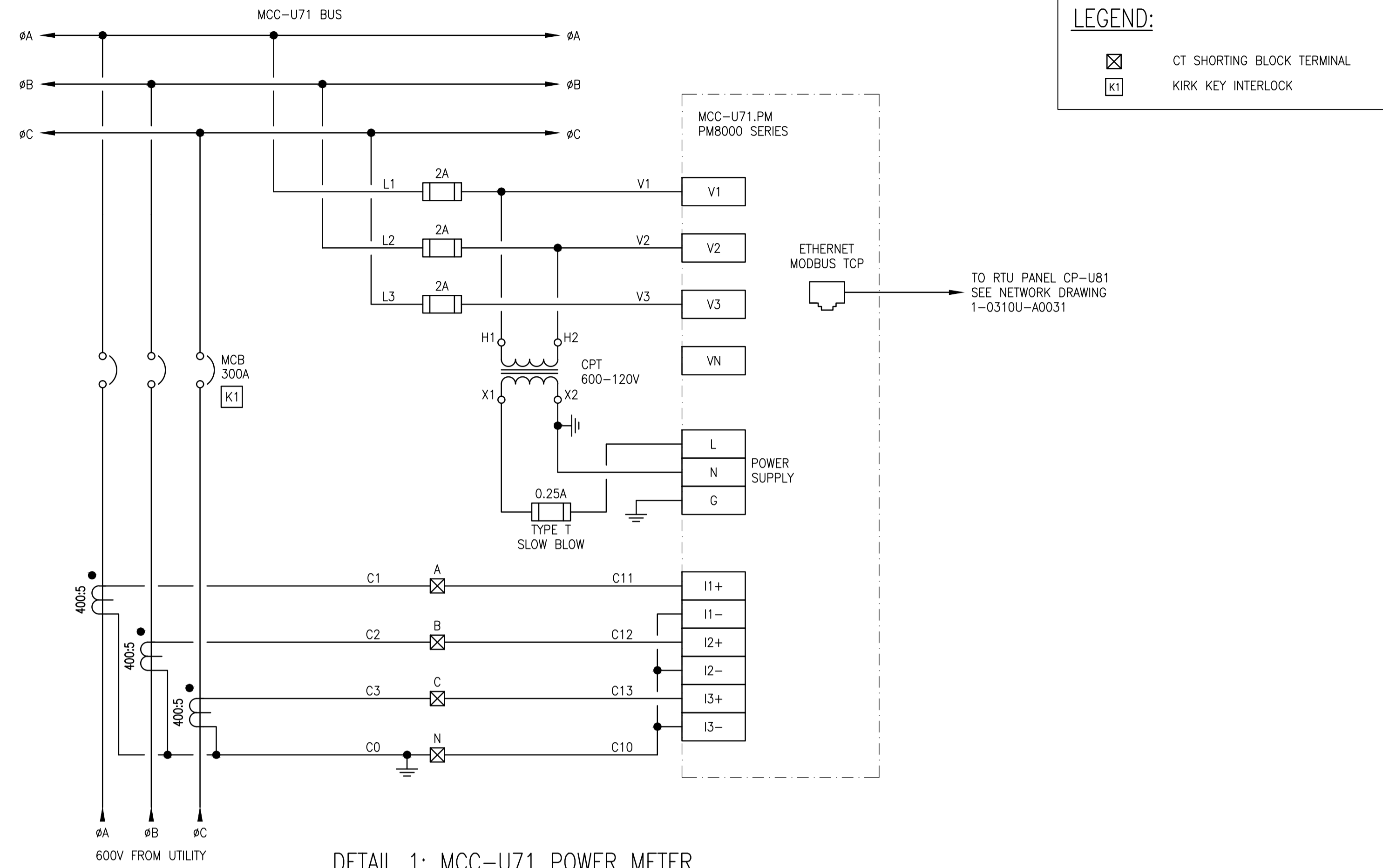
IDENTIFIER: MCC-U72		
ENCLOSURE TYPE: NEMA 1A	MOUNTING: FRONT	DEPTH: 508mm
SUPPLY VOLTAGE: 600V, 3 ϕ , 3W, 60HZ		INCOMING NEUTRAL TERMINATION: NO
CONTROL VOLTAGE: 120V, 60HZ	WIRING: CLASS I, TYPE Bd OR Bt AS SHOWN ON THE DRAWINGS	
MINIMUM BUS RATING:	HORIZONTAL: 600A	VERTICAL: AS REQ'D
SUITABLE FOR SERVICE ENTRANCE: NO	NEUTRAL BUS: NO	
BUS BRACING: 42kA	SCCR: 18 kA	SERIES SCCR PERMITTED: NO
BUS MATERIAL: TIN PLATED COPPER		
MANUFACTURER: SCHNEIDER ELECTRIC		MODEL: MODEL 6



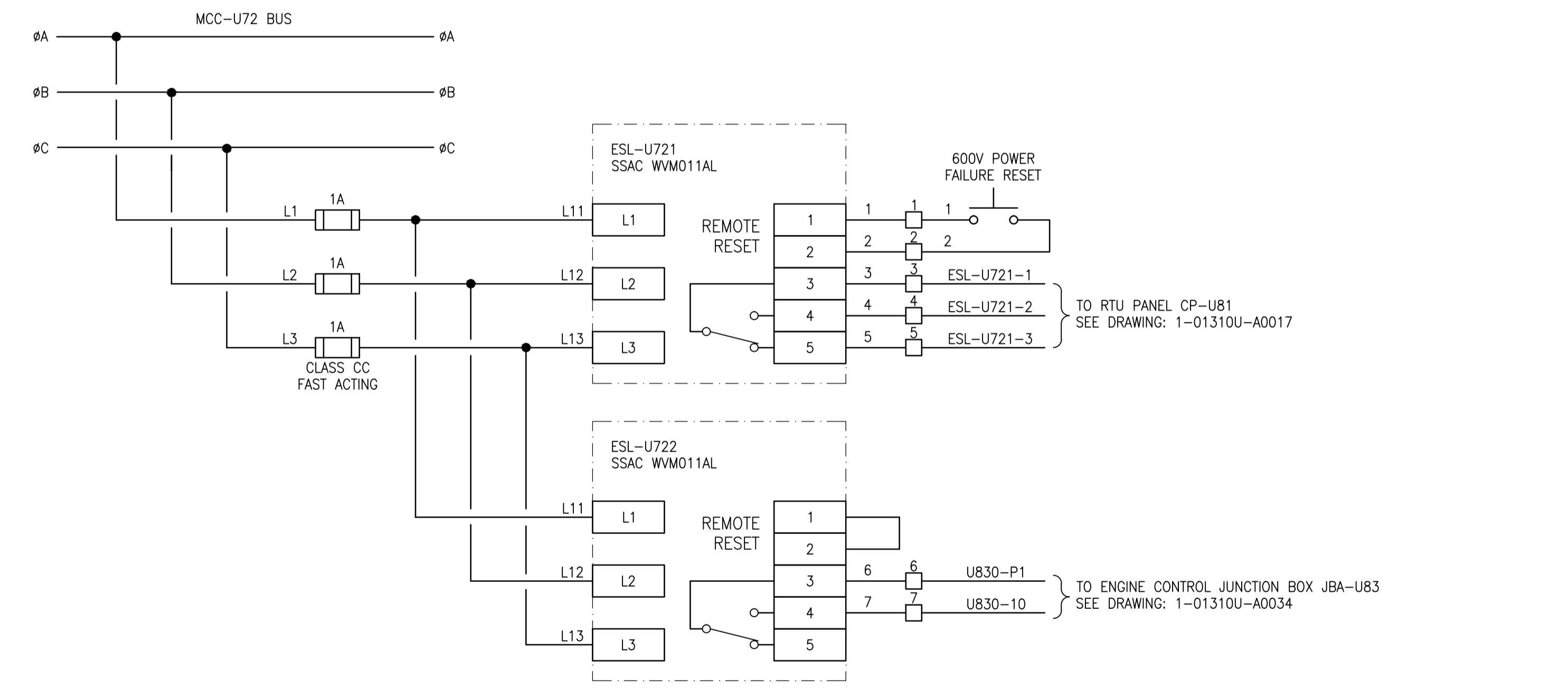
MCC-U71 ELEVATION
SCALE: 1:10



MCC-U72 ELEVATION
SCALE: 1:10



DETAIL 1: MCC-U71 POWER METER
SCALE: NTS



DETAIL 2: 600V POWER FAILURE RELAYS
SCALE: NTS

LEGEND:

	CT SHORTING BLOCK TERMINAL
	K1 KIRK KEY INTERLOCK

1-0310U-E0002	SINGLE LINE DIAGRAM
DRAWING NUMBER	REFERENCE DRAWINGS



 SNC-LAVALIN INC. 148 Nature Park Way Winnipeg, MB, Canada R3P 0X7 204-786-8080		ENGINEER'S SEAL ORIGINAL DRAWING SEALED BY: B. J. CLEVEN SNC-LAVALIN INC. MEMBER # 31479 2016-08-29 REV. 00	 THE CITY OF WINNIPEG WATER AND WASTE DEPARTMENT ROUTE 90 UNDERPASS PUMPING STATION 2016 UPGRADES MCC ELEVATIONS AND DETAILS MCC-U71, MCC-U72
DESIGNED BY: B. CLEVEN CHECKED BY: D. BECKER DRAWN BY: Y. KONIG APPROVED BY: I. PARKINSON SCALE: AS SHOWN ISSUED FOR CONSTRUCTION BY: K. ZUREK DATE: 2016/06/03 DATE: 2016-08-29 CONSULTANT NO.:		CITY DRAWING NUMBER: 1-0310U-E0011 SHEET: 001 REV: 00 SIZE: A1	