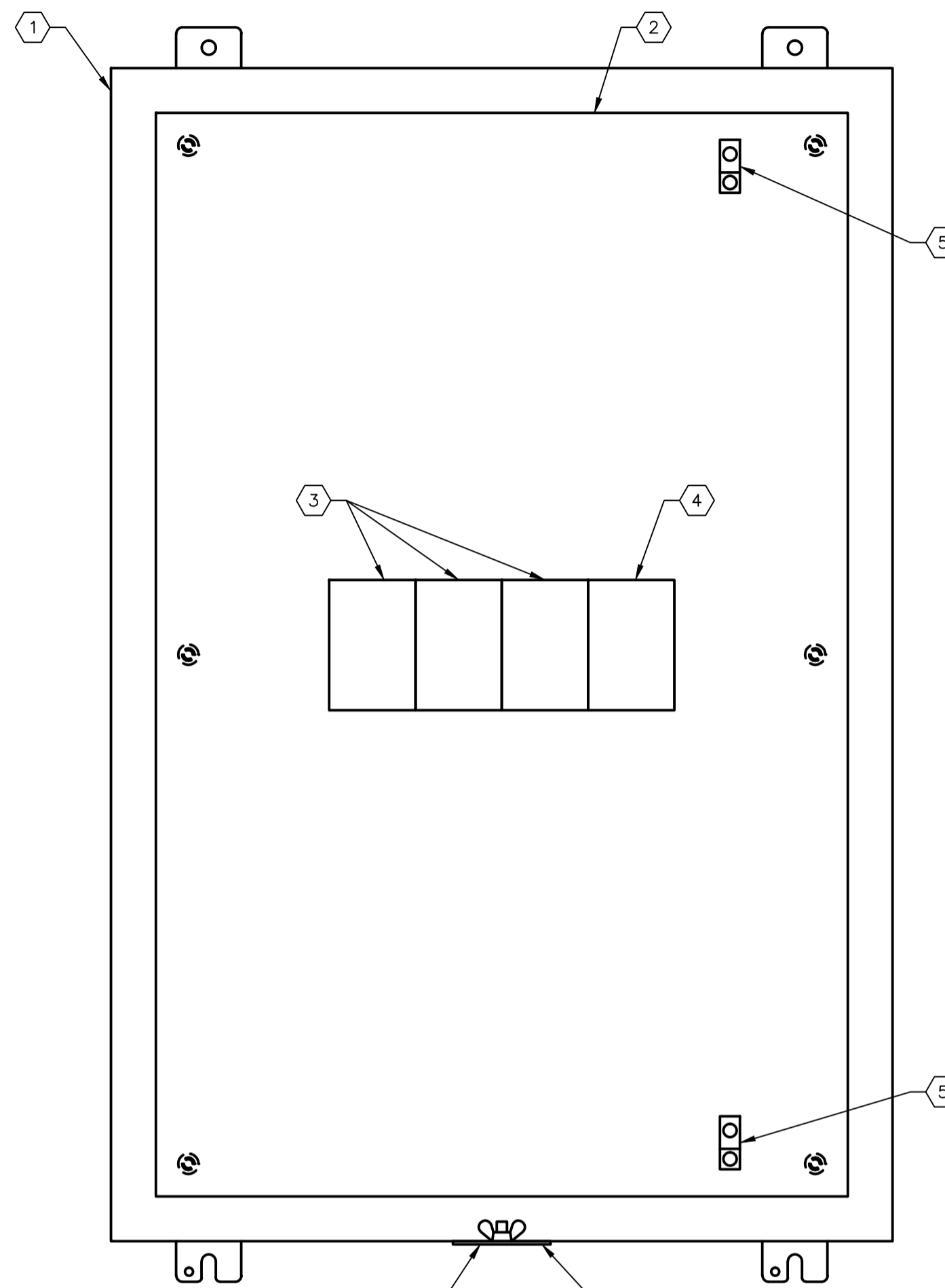


**EXTERIOR PANEL VIEW**  
SCALE: 1:4



PROVIDE 76mm (3") DIAMETER HOLE FOR INCOMING CABLE

**INTERIOR PANEL VIEW**  
SCALE: 1:4

BILL OF MATERIAL				
ITEM	QTY	DESCRIPTION	MANUFACTURER	CATALOG NUMBER
1	1	WALL-MOUNTED ENCLOSURE, NEMA TYPE 4	HOFFMAN	A36H24BLP
2	1	BACK PANEL	HOFFMAN	A36P24
3	1	POWER TERMINAL, 3 POLE, 255 AMP, 600V INSULATED	MARATHON	1433123
4	1	POWER TERMINAL, 1 POLE, 255 AMP, 600V INSULATED	MARATHON	1431123
5	2	GROUND LUG, NON-INSULATED, 2/0 - 14 AWG	MARATHON	9818102
6	1	HOLE SEAL, STEEL, 76mm	HOFFMAN	AS250
7	1	LAMACOID, WHITE PLATE WITH BLACK TEXT	-	-

1-0310U-E0002	ELECTRICAL SINGLE LINE
DRAWING NUMBER	REFERENCE DRAWINGS



NO.	REVISIONS	DATE	DESIGN	CHECK
00	ISSUED FOR TENDER, BID OPP. 767-2016	2016/08/23	BJC	DB

**SNC-LAVALIN INC.**  
148 Nature Park Way  
Winnipeg, MB, Canada R3P 0X7  
204-786-8080

DESIGNED BY: B. CLEVEN	CHECKED BY: D. BECKER
DRAWN BY: Y. KONIG	APPROVED BY: I. PARKINSON
SCALE: NTS	ISSUED FOR CONSTRUCTION BY: K. ZUREK
DATE: 2016/06/03	DATE: 2016-08-29

CONSULTANT NO.:

ENGINEER'S SEAL

**THE CITY OF WINNIPEG**  
WATER AND WASTE DEPARTMENT

ROUTE 90 UNDERPASS PUMPING STATION  
2016 UPGRADES  
PANEL LAYOUT  
JB-U71  
TEMPORARY GENERATOR CONNECTION

CITY DRAWING NUMBER	SHEET	REV.	SIZE
1-0310U-E0013	001	00	A1