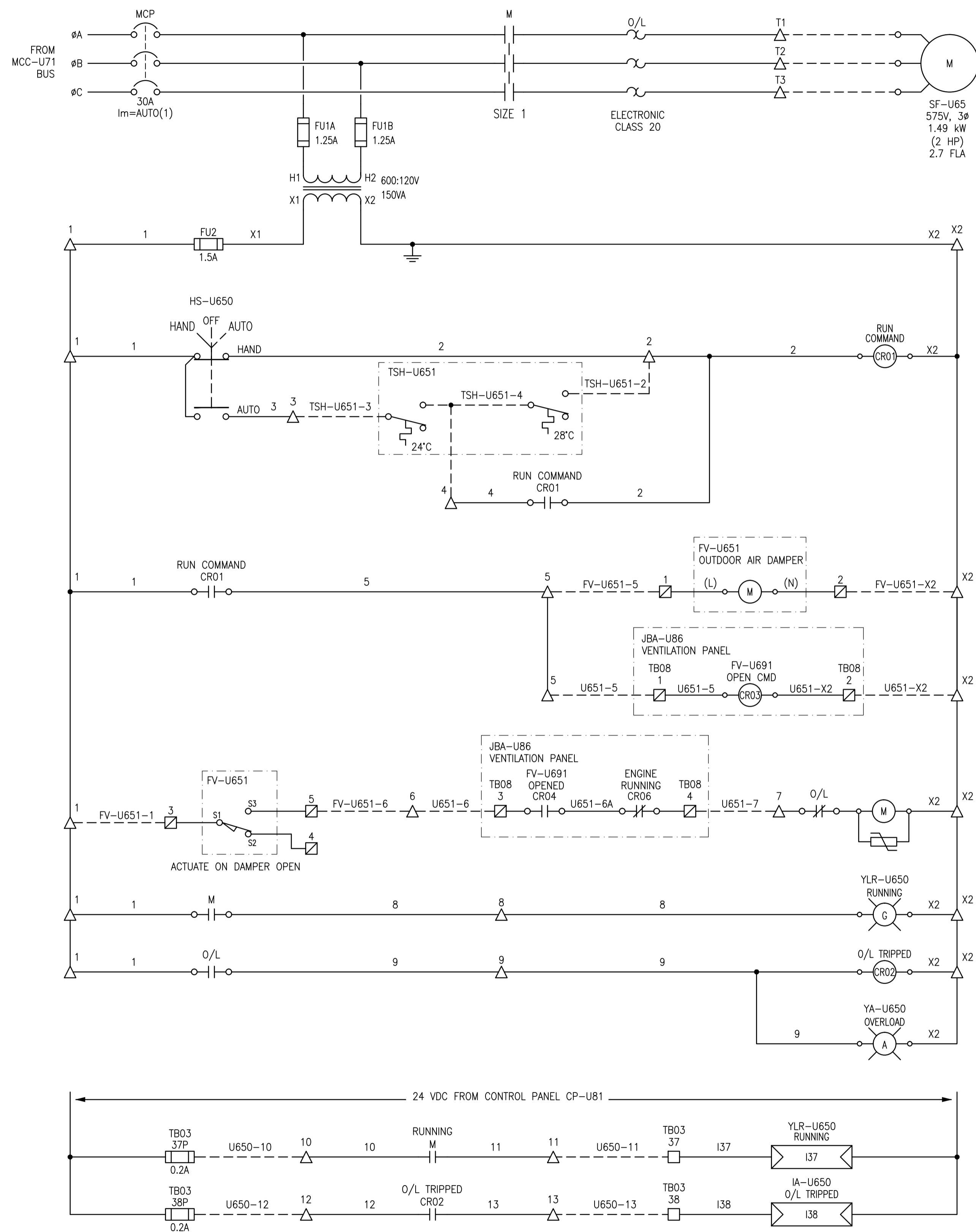
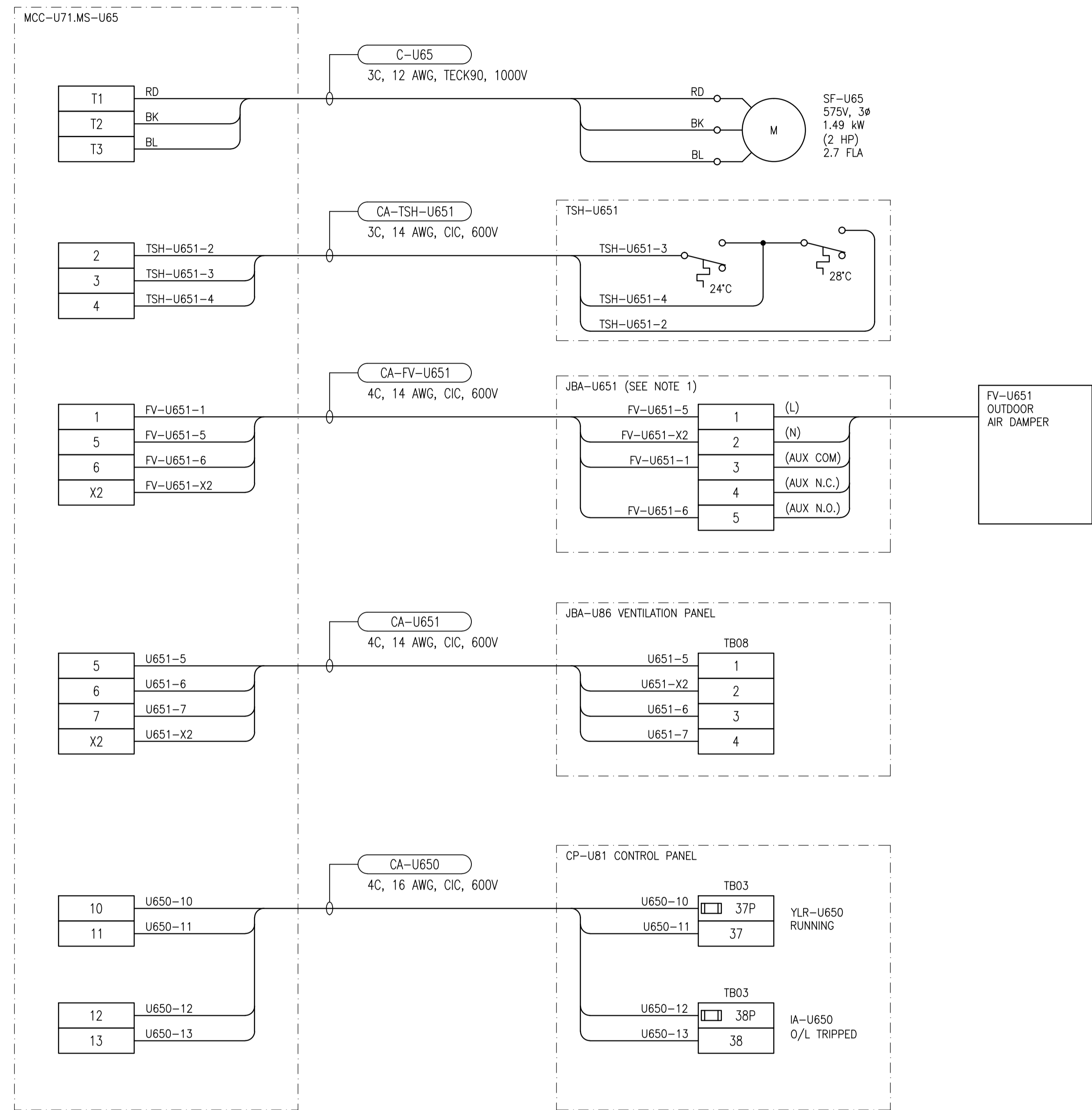


ELEMENTARY DIAGRAM:



FIELD CONNECTION DIAGRAM:



**LEGEND:**

- $\Delta$  TERMINAL IN MOTOR STARTER PANEL
- $\square$  TERMINAL IN CONTROL PANEL CP-U81
- $\boxtimes$  TERMINAL IN JUNCTION BOX
- $\odot$  INDICATING LIGHT, G = GREEN, A = AMBER
- $\boxleftarrow$  RTU INPUT

NOTES:

- PROVIDE AND INSTALL NEW NEMA TYPE 12 JUNCTION BOX, COMPLETE WITH TERMINALS AND IDENTIFICATION LAMACOID.
- AIR DAMPER FV-U691 IS USED FOR BOTH ENGINE COOLING AND FOR RELIEF WHEN THE MAIN FLOOR COOLING FAN SF-U65 IS RUNNING.



 SNC-Lavalin Inc. 148 Nature Park Way Winnipeg, MB, Canada R3P 0X7 204-786-8080		ENGINEER'S SEAL ORIGINAL DRAWING SEALED BY: B. J. CLEVEN SNC-Lavalin Inc. MEMBER # 31479 2016-08-29 REV. 00	 THE CITY OF WINNIPEG WATER AND WASTE DEPARTMENT ROUTE 90 UNDERPASS PUMPING STATION 2016 UPGRADES MOTOR STARTER SCHEMATIC SF-U65 MAIN FLOOR COOLING FAN
DESIGNED BY: B. CLEVEN DRAWN BY: Y. KONIG SCALE: NTS DATE: 2016/08/05	CHECKED BY: D. BECKER APPROVED BY: I. PARKINSON ISSUED FOR CONSTRUCTION BY: K. ZUREK DATE: 2016-08-29	CITY DRAWING NUMBER 1-0310U-E0015	SHEET 001 REV. 00 SIZE A1