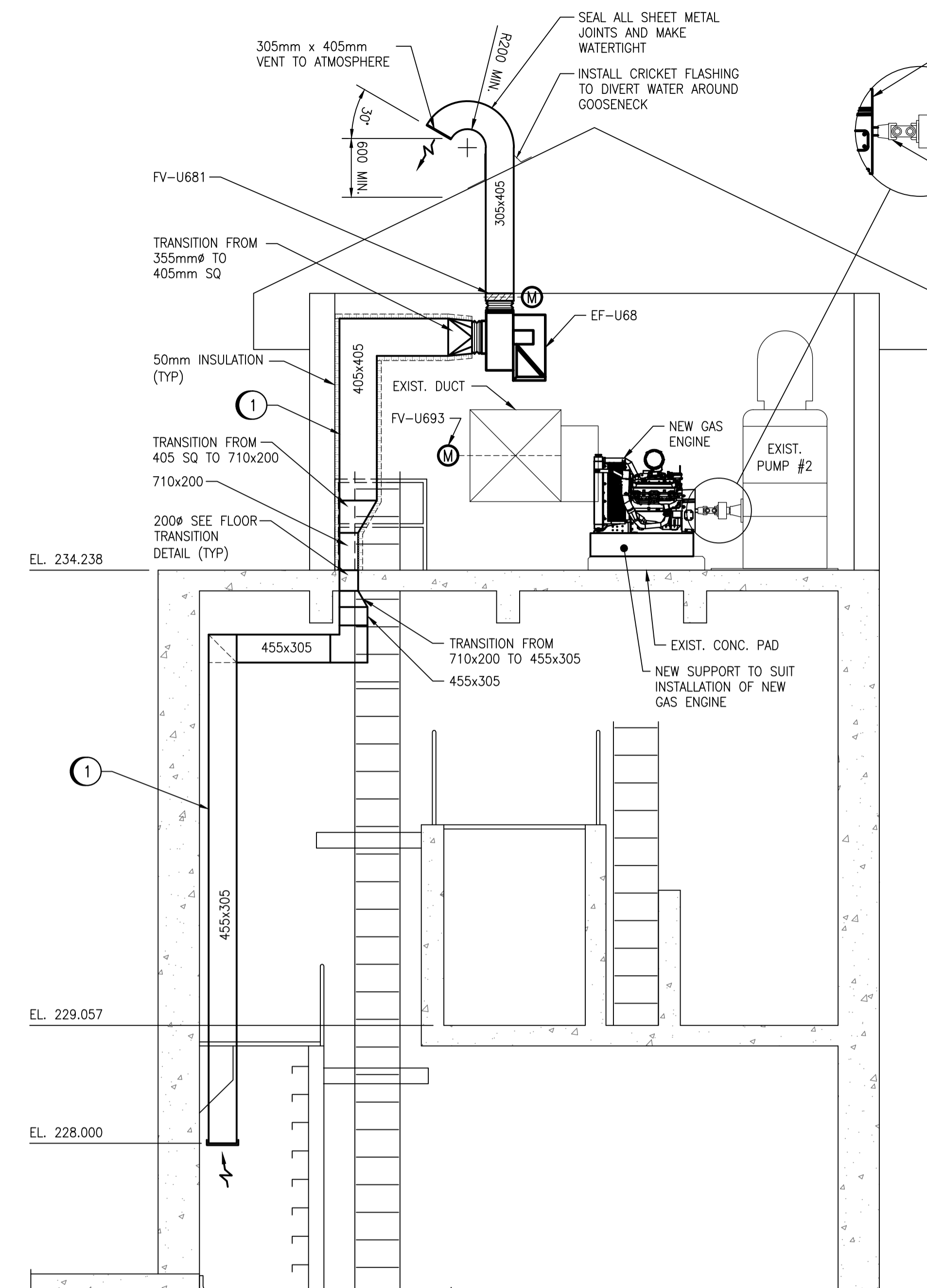
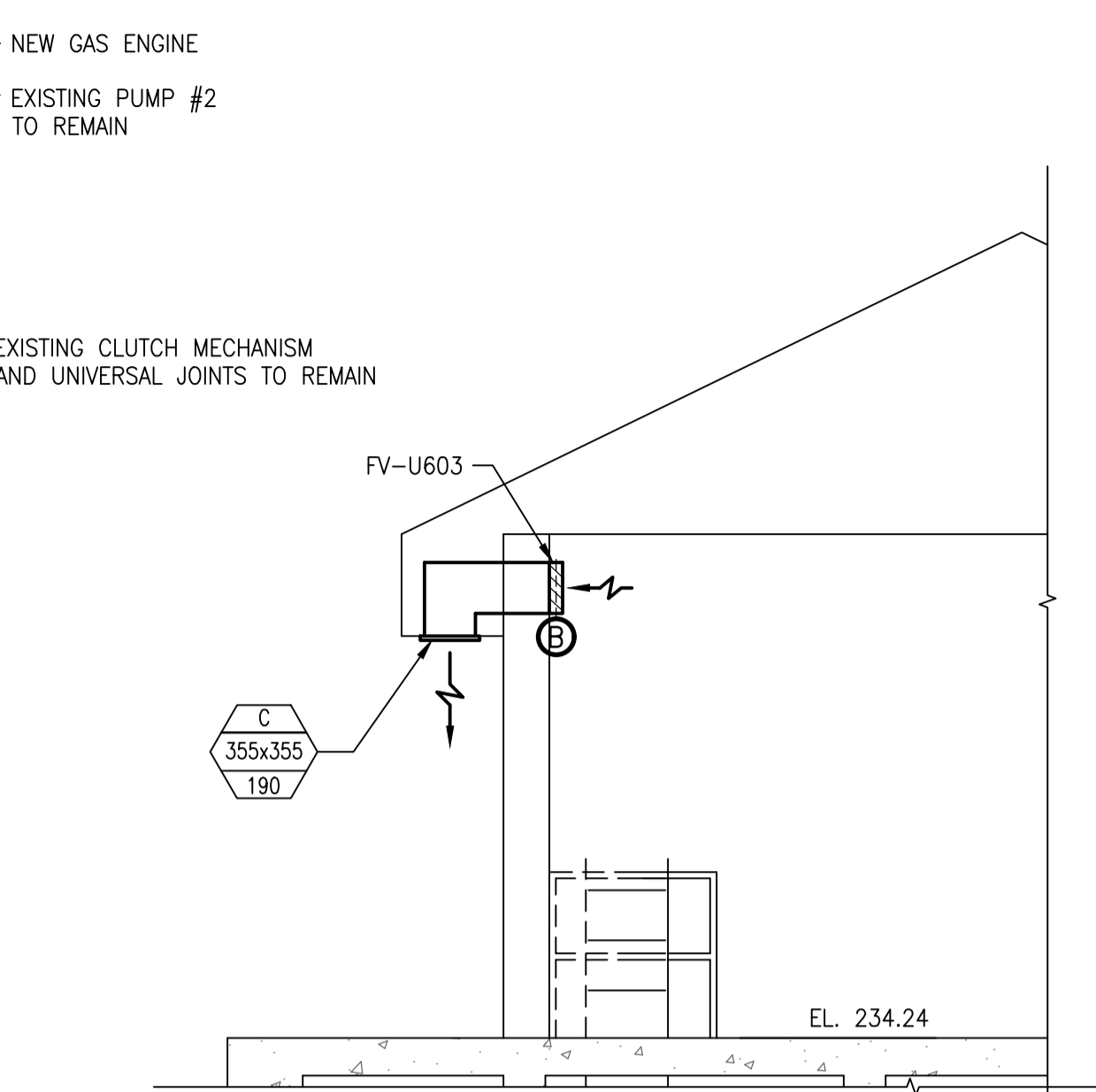


**NEW WORK NOTES**

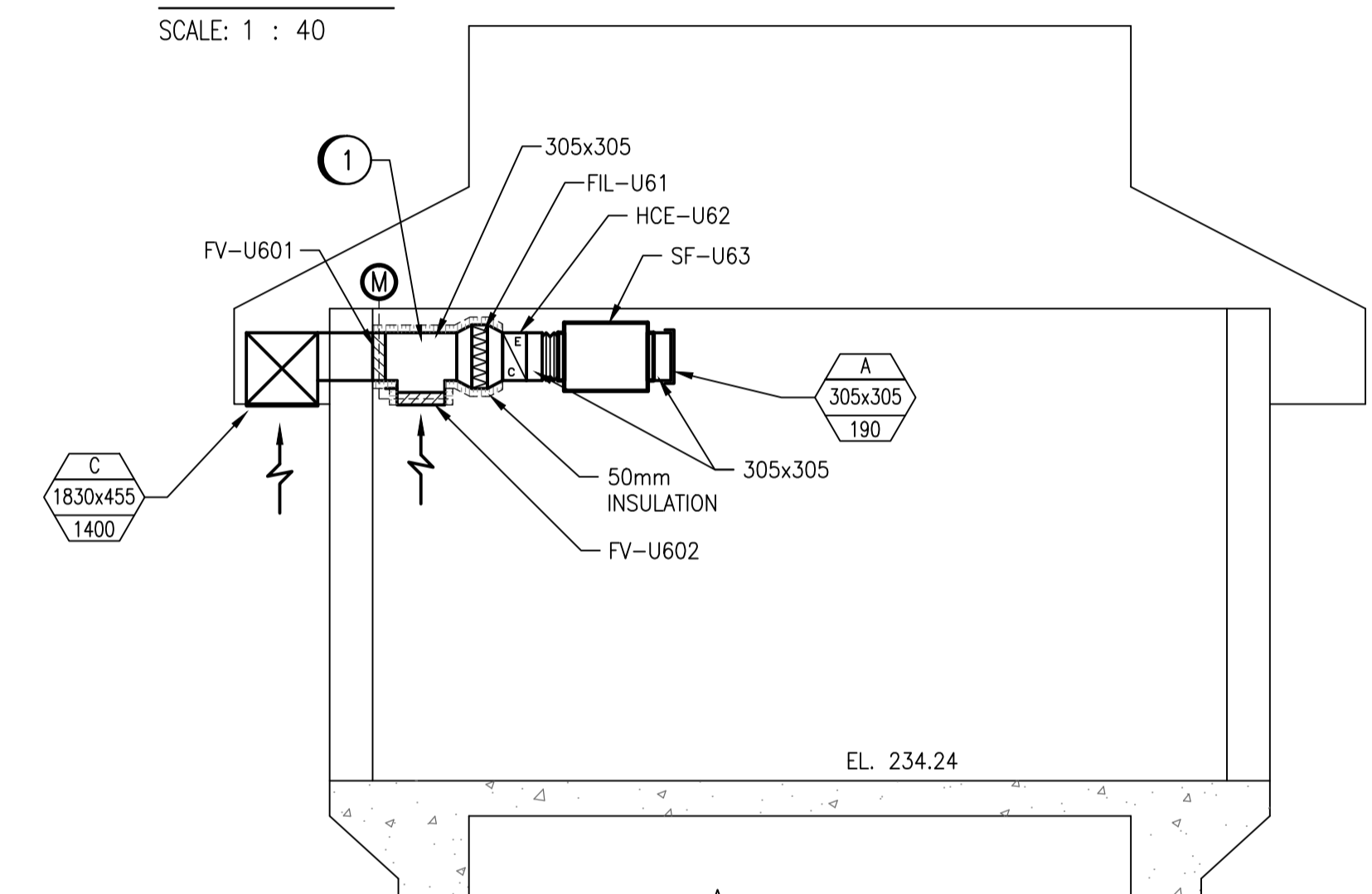
- ① NEW STAINLESS STEEL DUCTWORK.



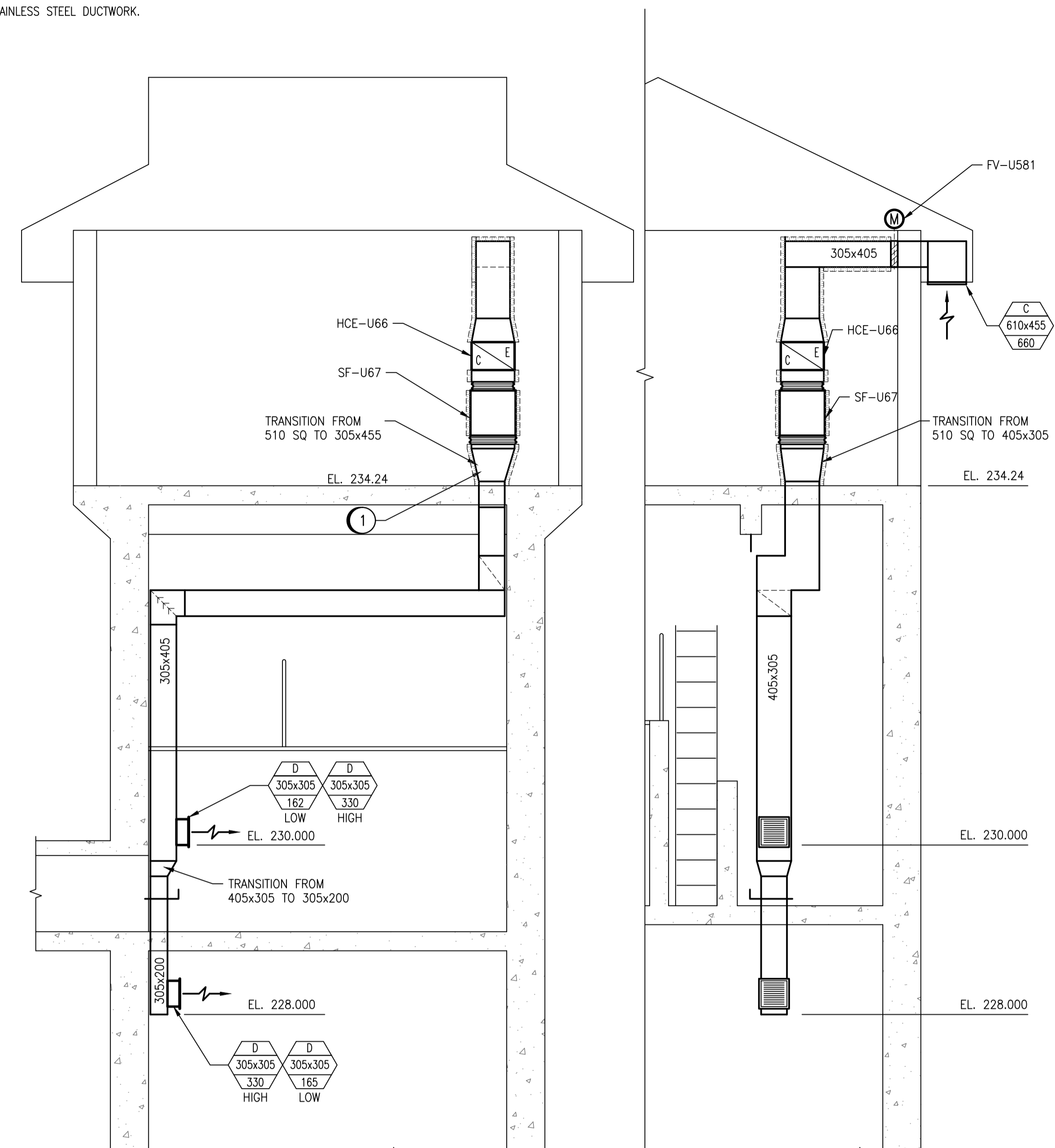
**SECTION A**  
SCALE: 1 : 40



**SECTION B**  
SCALE: 1 : 40

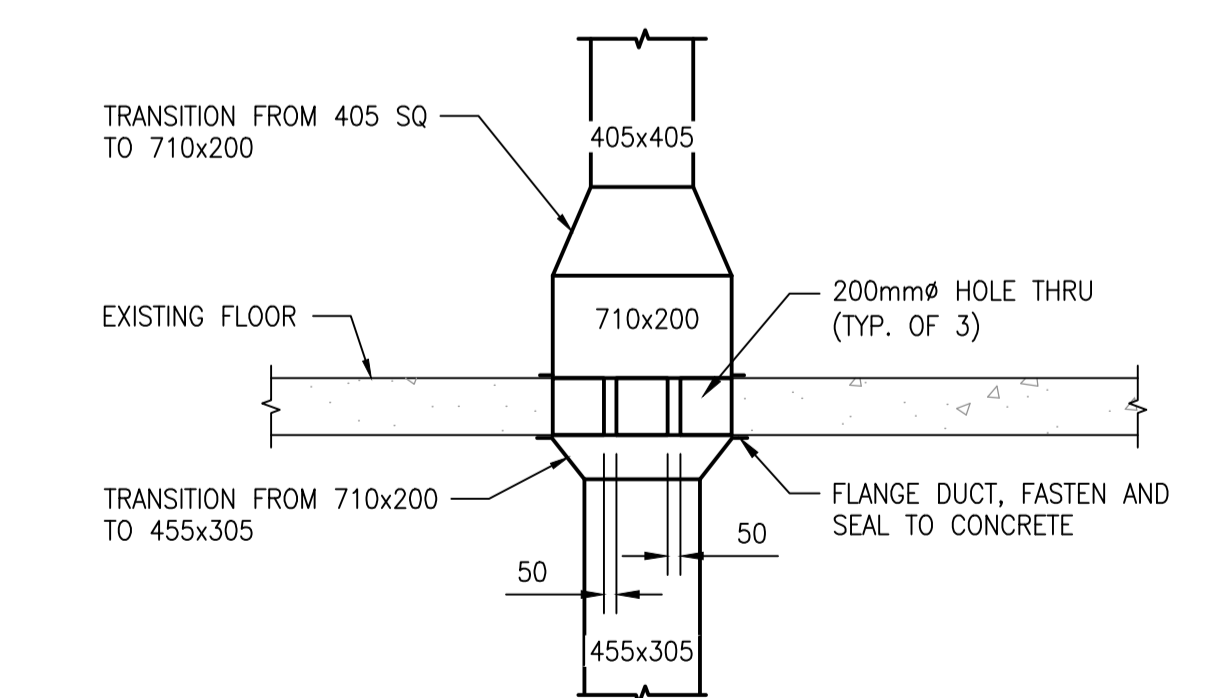


**SECTION C**  
SCALE: 1 : 40

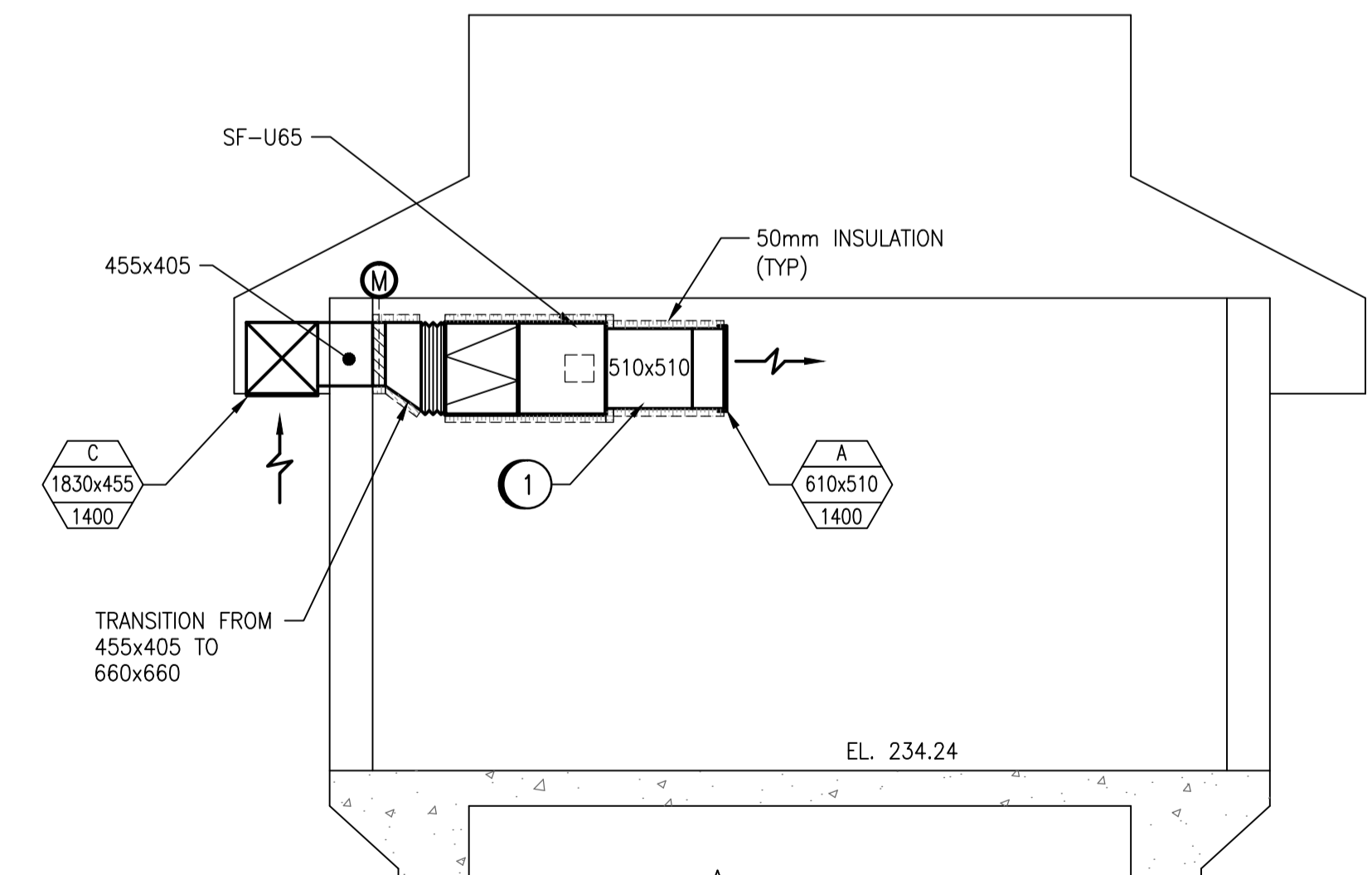


**SECTION E**  
SCALE: 1 : 40

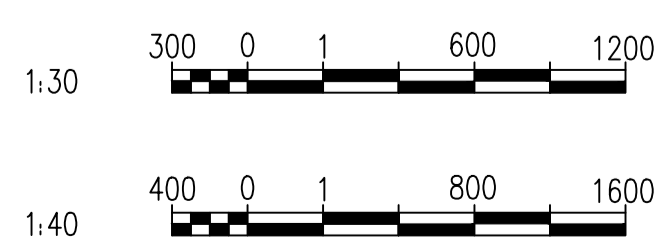
**SECTION F**  
SCALE: 1 : 40



**FLOOR TRANSITION DETAIL**  
SCALE: 1 : 30



**SECTION D**  
SCALE: 1 : 40



NO.	REVISIONS	DATE	DESIGN	CHECK
00	ISSUED FOR TENDER, BID OPP. 767-2016	2016/08/23	TS	SN

<p><b>SNC-LAVALIN INC.</b> 148 Nature Park Way Winnipeg, MB, Canada R3P 0X7 204-786-8080</p>	
DESIGNED BY: T. SCHICK	CHECKED BY: S. NORSWORTHY
DRAWN BY: Y. KONIG	APPROVED BY: I. PARKINSON
SCALE: AS SHOWN	ISSUED FOR CONSTRUCTION BY: K. ZUREK
DATE: 2016/03/23	DATE: 2016-08-29
CONSULTANT NO.:	

ENGINEER'S SEAL

ORIGINAL DRAWING  
SEALED BY:  
T. R. SCHICK  
SNC-LAVALIN INC.  
MEMBER #21892  
2016-08-29  
REV. 00

**THE CITY OF WINNIPEG**  
WATER AND WASTE DEPARTMENT

ROUTE 90 UNDERPASS PUMPING STATION  
2016 UPGRADES  
MECHANICAL SECTIONS AND ELEVATIONS  
MAIN FLOOR AND WET WELL  
ELEVATIONS AND DETAILS

CITY DRAWING NUMBER  
**1-0310U-M0002**

SHEET  
**001**

REV.  
**00**

SIZE  
**A1**