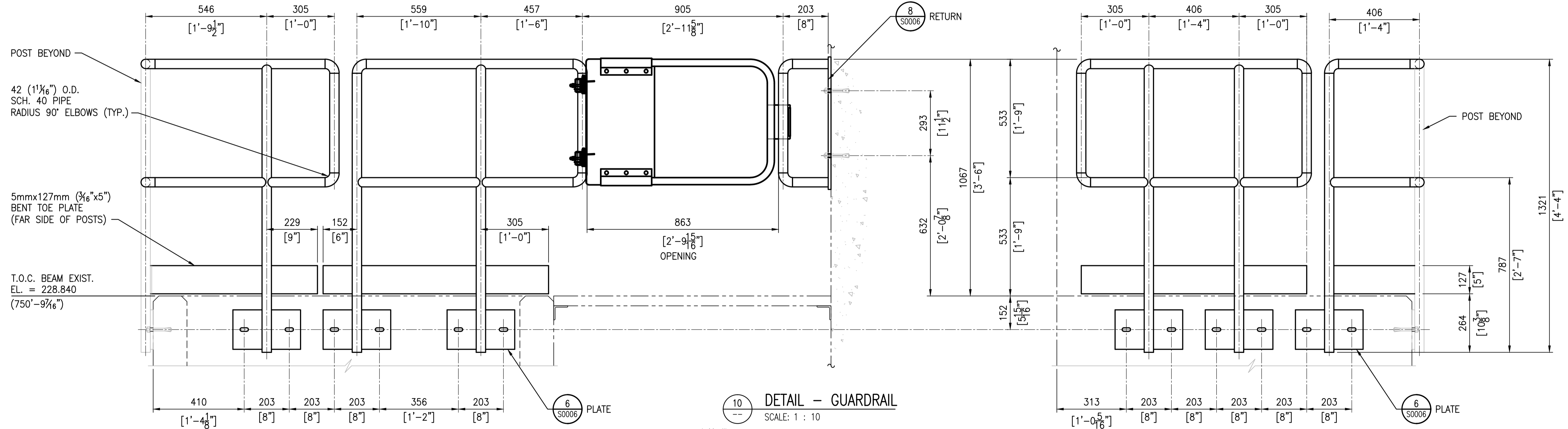


PLAN - GUARDRAIL  
SCALE: 1 : 10

- NOTES:**
- SEE DRAWING 1-0310U-S0001 FOR GENERAL NOTES.
  - SEE DRAWING 1-0310U-S0002 FOR STRUCTURAL NOTES.

NOTE: TAKE CARE NOT TO DAMAGE EXIST. CONCRETE REINF. WHEN INSTALLING GUARDRAIL SUPPORTS. REFER TO NOTES ON DRAWING 1-0310U-S0002 FOR INSTALLATION PROCEDURE.

SWING GATE BY BLUEWATER MANUFACTURING TO OSHA STANDARDS:  
PART No. SRGY369 - 838mm (33") NOM.  
OPENING RANGE 762mm TO 914mm  
(30" TO 36") - SAFETY YELLOW  
INSTALL PER MANUFACTURER'S INSTRUCTIONS

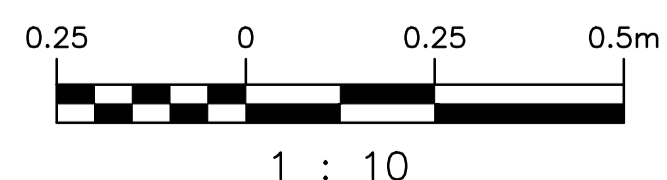


DETAIL - GUARDRAIL  
SCALE: 1 : 10

ALL 42mm (1 1/8") O.D. SCH. 40 PIPE GUARDRAIL AND POST ASSEMBLY

ELEVATION G  
SCALE: 1 : 10

ELEVATION H  
SCALE: 1 : 10



B-5515-11	PUMP STATION MISCELLANEOUS METAL
B-5515-7	PUMP STATION SECTIONS
B-5515-6	PUMP STATION FLOOR PLANS
B-5515-5	PUMP STATION SUPERSTRUCTURE
DRAWING NUMBER	REFERENCE DRAWINGS

00	ISSUED FOR TENDER, BID OPP. 767-2016	2016/08/23	KK	DC
NO.	REVISIONS	DATE	DESIGN	CHECK

		SNC-LAVALIN INC. 148 Nature Park Way Winnipeg, MB, Canada R3P 0X7 204-786-8080	
DESIGNED BY:	K. KOTYK	CHECKED BY:	D. COATES
DRAWN BY:	B. DICKSON	APPROVED BY:	I. PARKINSON
SCALE:	1 : 10	ISSUED FOR CONSTRUCTION BY:	K. ZUREK
DATE:	2016/08/03	DATE:	2016/08/24
CONSULTANT NO.:			

ENGINEER'S SEAL  
 ORIGINAL DRAWING  
 SEALED BY:  
 K. KOTYK  
 SNC-LAVALIN INC.  
 MEMBER # 21950  
 2016/08/24  
 REV. 00

**THE CITY OF WINNIPEG**  
 WATER AND WASTE DEPARTMENT

ROUTE 90 UNDERPASS PUMPING STATION  
 2016 UPGRADES  
 DETAILS  
 GUARDRAIL MODIFICATIONS AT ELEV. 228.840

CITY DRAWING NUMBER	SHEET	REV.	SIZE
1-0310U-S0005	001	00	A1