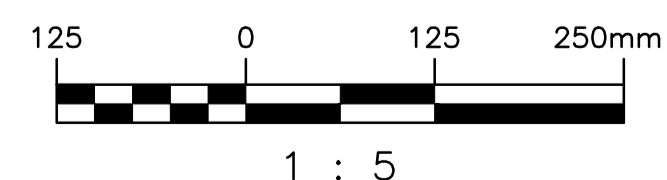
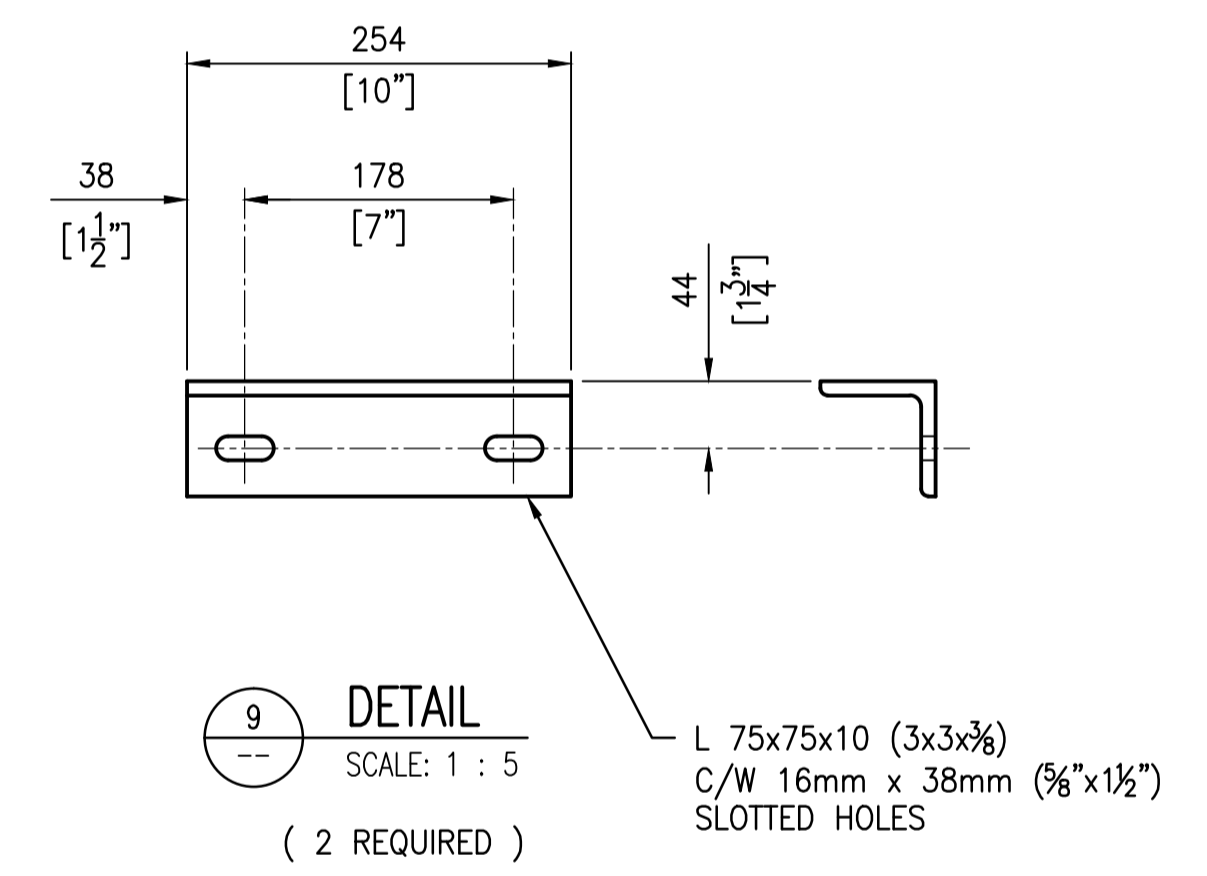
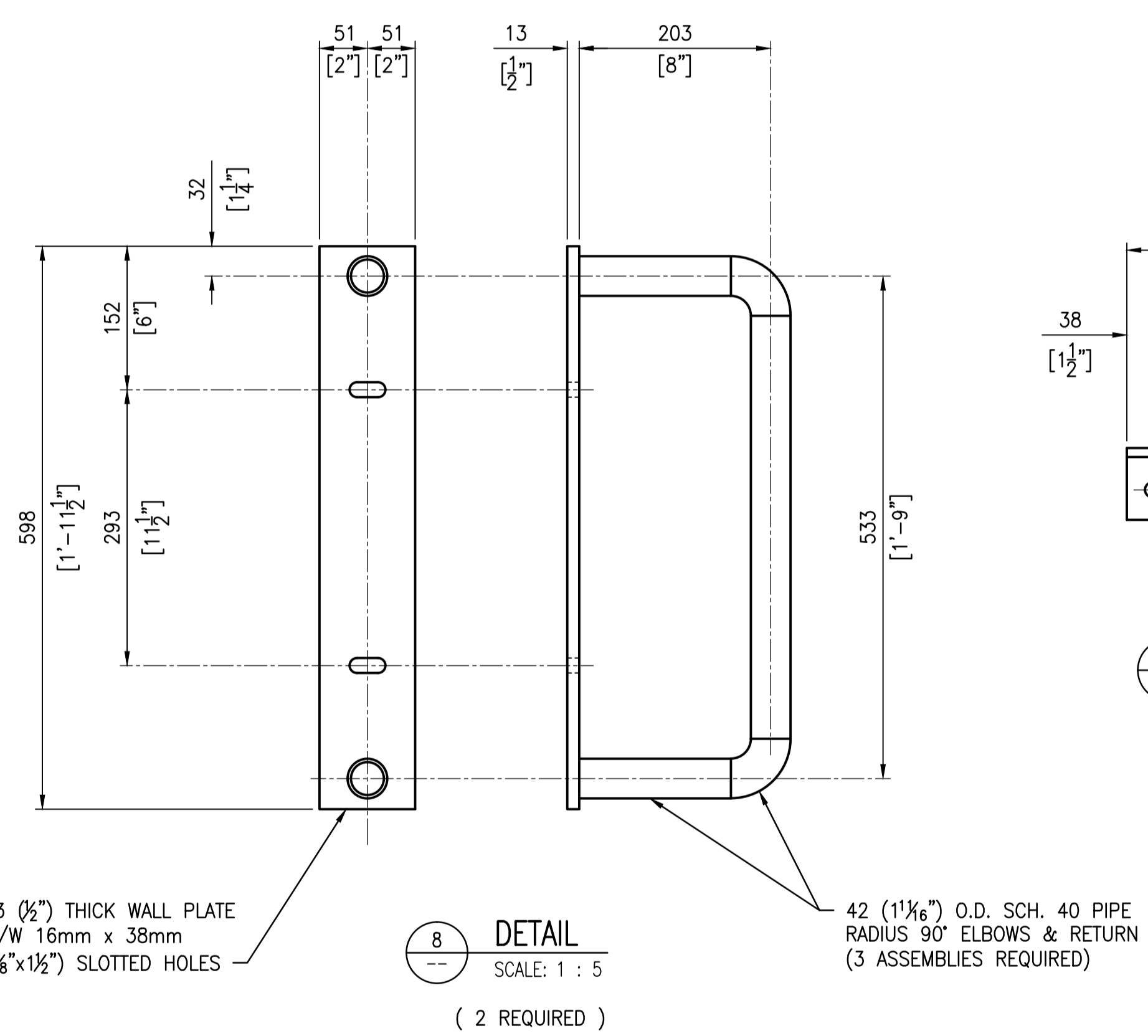
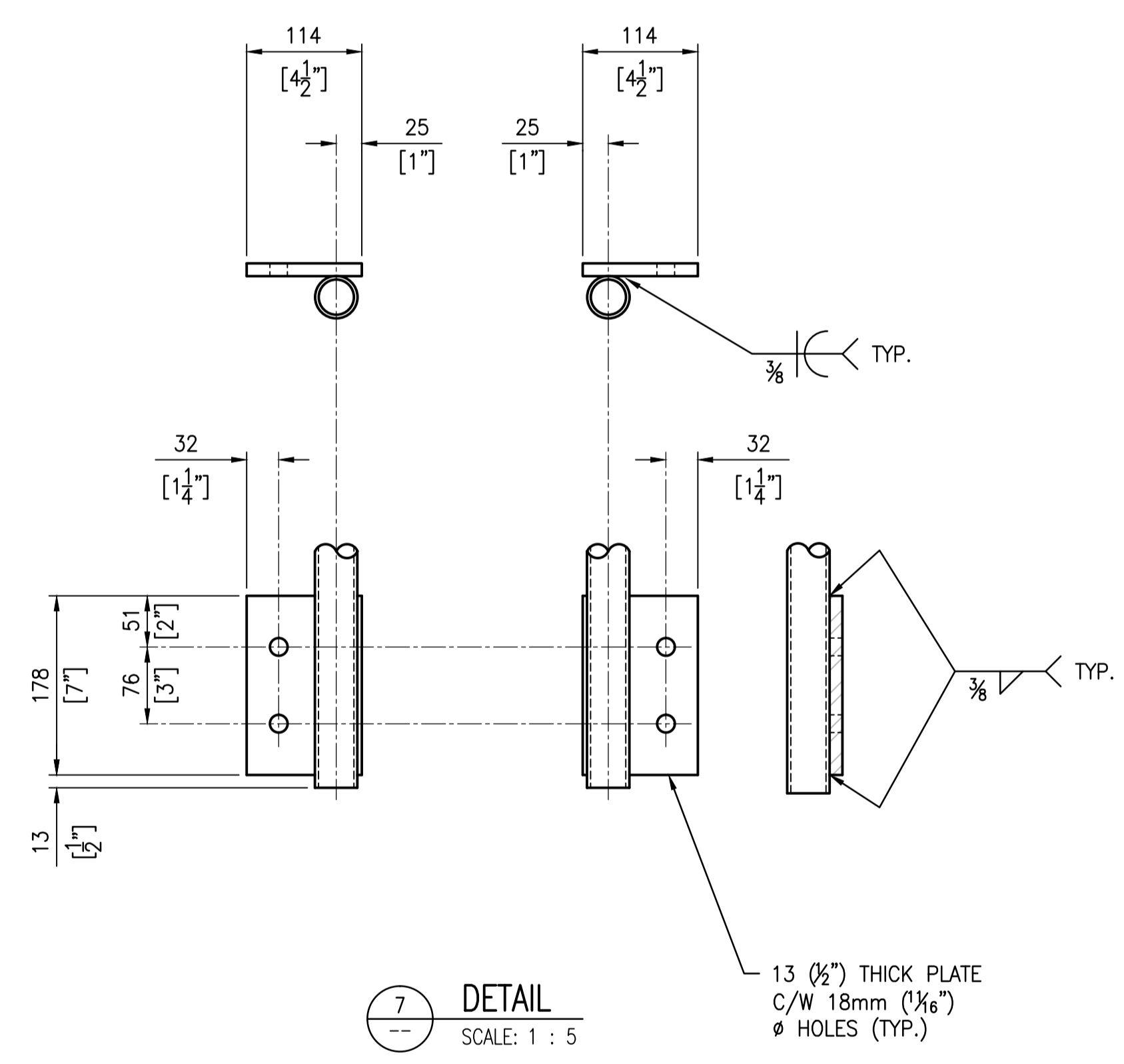
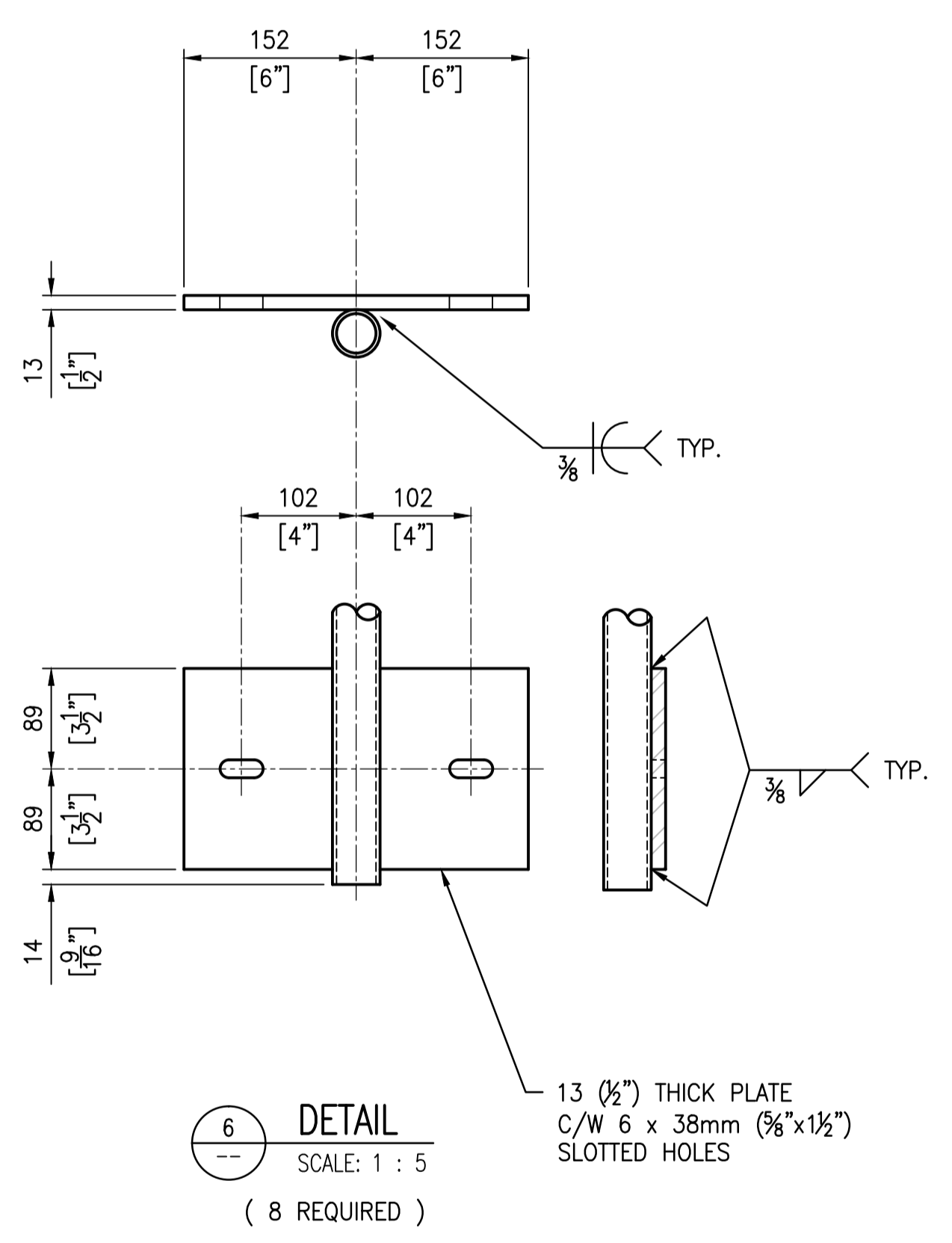
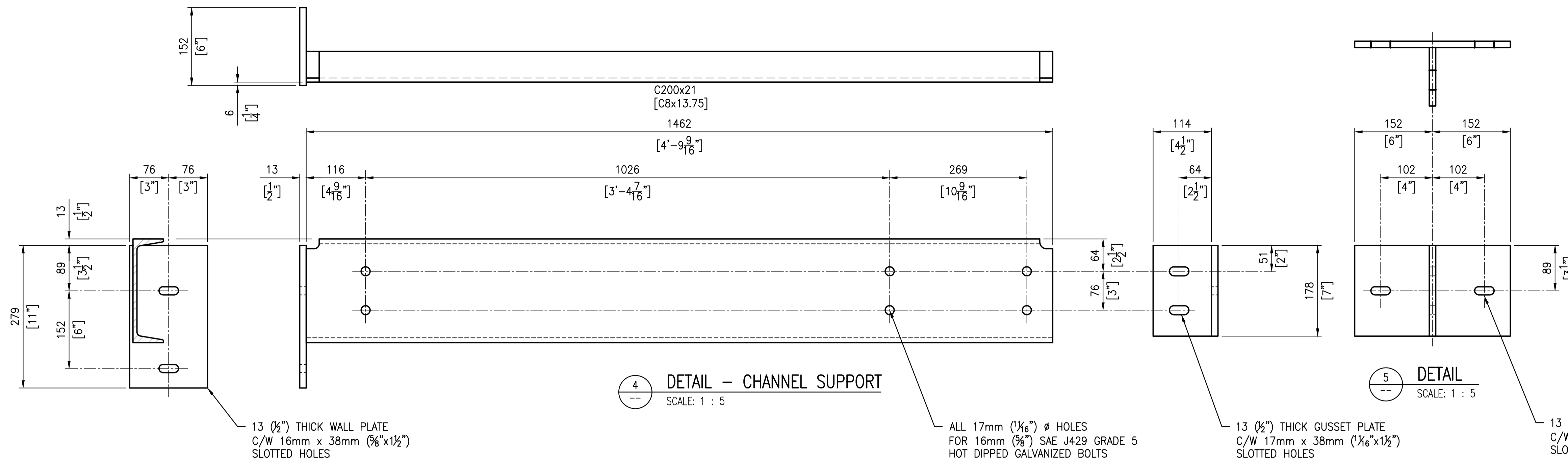


NOTES:

- SEE DRAWING 1-0310U-S0001 FOR GENERAL NOTES.
- SEE DRAWING 1-0310U-S0002 FOR STRUCTURAL NOTES.



B-5515-11	PUMP STATION MISCELLANEOUS METAL
B-5515-7	PUMP STATION SECTIONS
B-5515-6	PUMP STATION FLOOR PLANS
B-5515-5	PUMP STATION SUPERSTRUCTURE
DRAWING NUMBER	REFERENCE DRAWINGS

00	ISSUED FOR TENDER, BID OPP. 767-2016	2016/08/23	KK	DC
NO.	REVISIONS	DATE	DESIGN	CHECK

<p>SNC-LAVALIN INC. 148 Nature Park Way Winnipeg, MB, Canada R3P 0X7 204-786-8080</p>	
DESIGNED BY: K. KOTYK	CHECKED BY: D. COATES
DRAWN BY: B. DICKSON	APPROVED BY: K. ZUREK
SCALE: AS SHOWN	ISSUED FOR CONSTRUCTION BY: K. ZUREK
DATE: 2016/08/03	DATE: 2016/08/24
CONSULTANT NO.:	

ENGINEER'S SEAL

ORIGINAL DRAWING
SEALED BY:
K. KOTYK
SNC-LAVALIN INC.
MEMBER # 21950
2016/08/24
REV. 00

THE CITY OF WINNIPEG
WATER AND WASTE DEPARTMENT

ROUTE 90 UNDERPASS PUMPING STATION
2016 UPGRADES
DETAILS
PLATFORM & GUARDS

CITY DRAWING NUMBER	SHEET	REV.	SIZE
1-0310U-S0006	001	00	A1