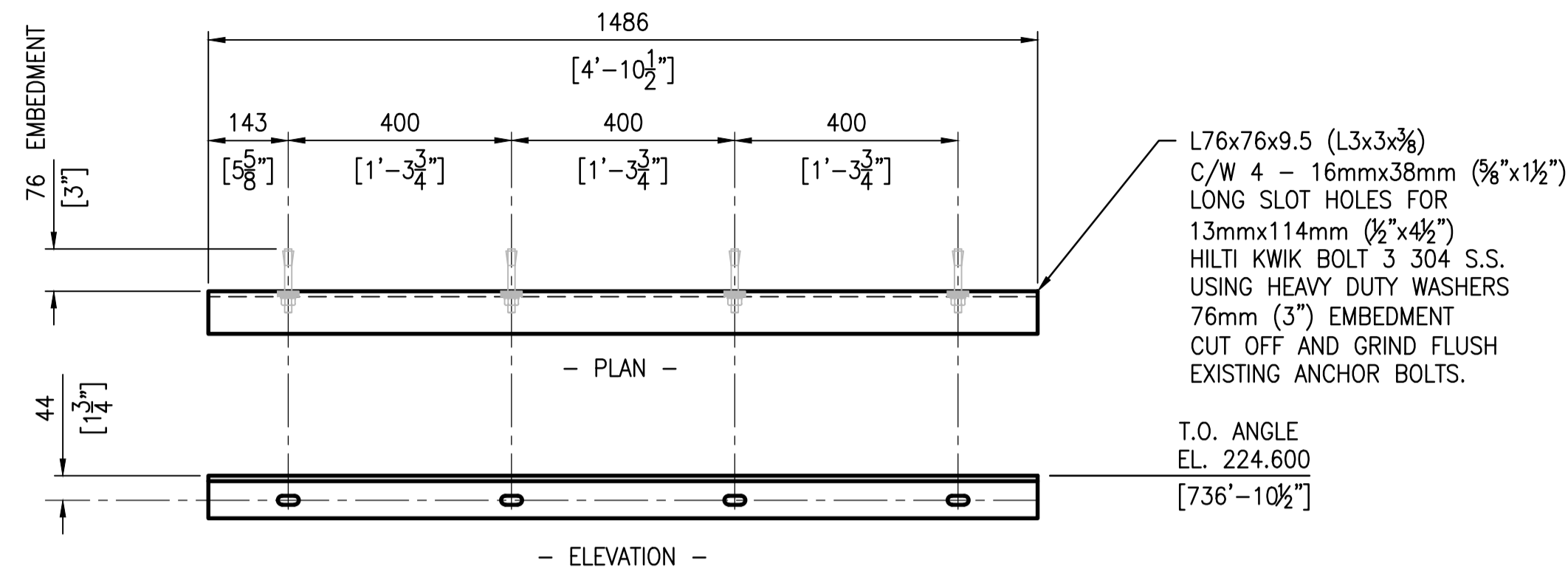
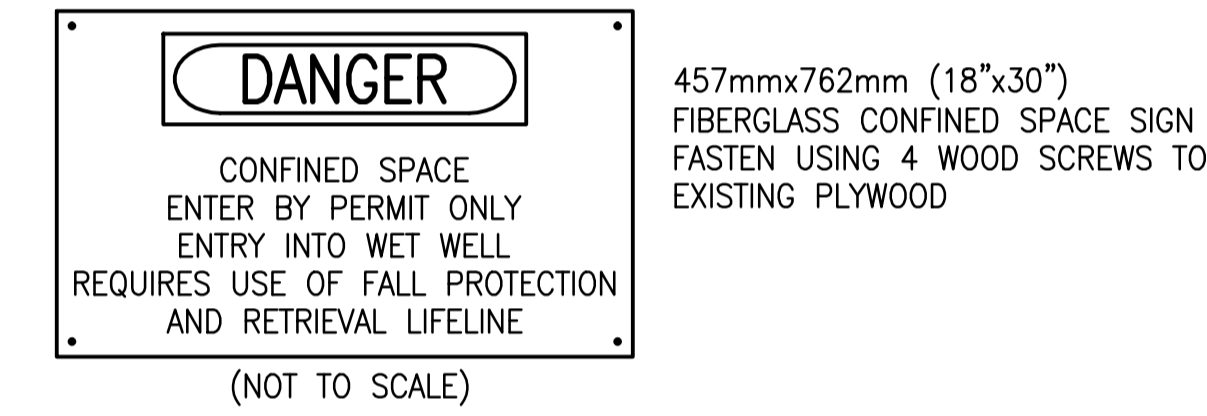


12 50002 DETAIL - TYPICAL LADDER SCALE: 1 : 10

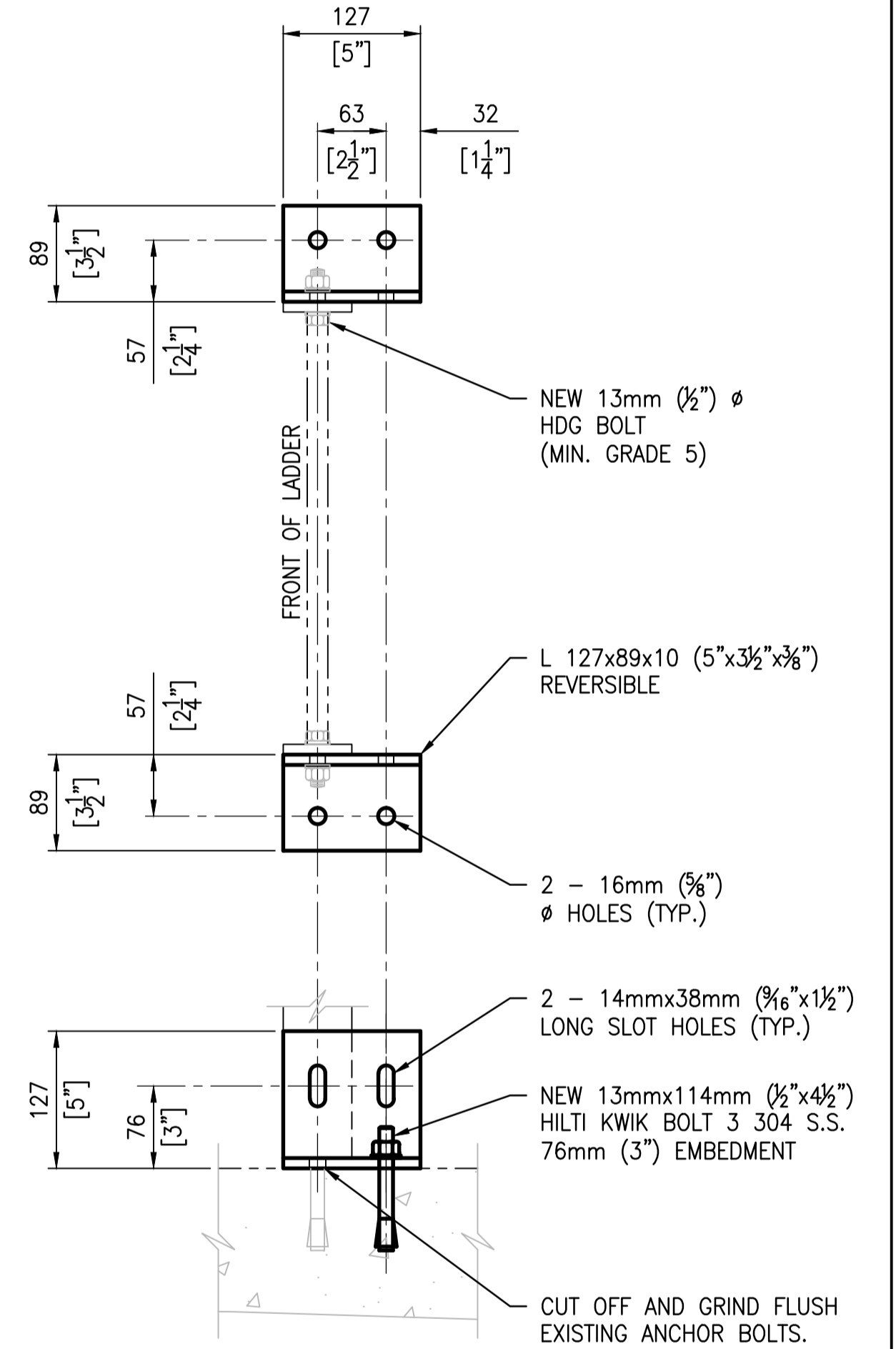


11 50001 DETAIL - ANGLE SUPPORT SCALE: 1 : 10 2 REQUIRED AS SHOWN

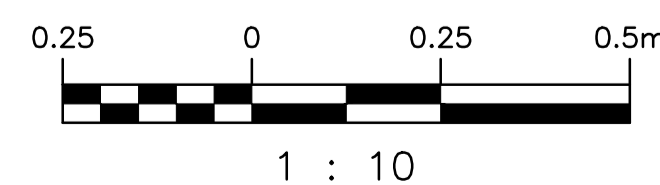
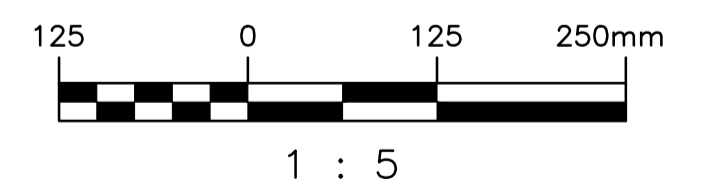


13 50002 DETAIL - SIGN SCALE: N.T.S.

- NOTES:**
- SEE DRAWING 1-0310U-S0001 FOR GENERAL NOTES.
  - SEE DRAWING 1-0310U-S0002 FOR STRUCTURAL NOTES.
  - ALL STRUCTURAL STEEL THIS SHEET SHALL BE HOT-DIP GALVANIZED IN ACCORDANCE WITH ASTM A.123 TO A MIN. NET RETENTION OF: 610 GRAMS/METRE SQ. FOR LESS THAN 1/4" THICK, 702 GRAMS/METRE SQ. GREATER THAN 1/4" THICK. TOUCH UP DAMAGED AREAS WITH 2 COATS OF Z.R.C. GALVALITE GALVANIZING COMPOUND TO ASTM A780. TOUCH UP ALL FIELD WELDS AND DAMAGED AREAS WITH ZINC RICH PRIMER OR PRIMER AND TOPCOAT FOR HDG OR PAINTED SURFACES, RESPECTIVELY.



DETAIL - LADDER BASE ANGLE SCALE: 1 : 5



DESIGNED BY:	K. KOTYK	CHECKED BY:	D. COATES
DRAWN BY:	B. DICKSON	APPROVED BY:	I. PARKINSON
SCALE:	AS SHOWN	ISSUED FOR CONSTRUCTION BY:	K. ZUREK
DATE:	2016/05/22	DATE:	2016/08/24
CONSULTANT NO.:			
NO.	REVISIONS	DATE	DESIGN/CHECK
00	ISSUED FOR TENDER, BID OPP. 767-2016	2016/08/23	KK DC

**SNC-LAVALIN INC.**  
148 Nature Park Way  
Winnipeg, MB, Canada R3P 0X7  
204-786-8080

DESIGNED BY: K. KOTYK  
DRAWN BY: B. DICKSON  
SCALE: AS SHOWN  
DATE: 2016/05/22

CHECKED BY: D. COATES  
APPROVED BY: I. PARKINSON  
ISSUED FOR CONSTRUCTION BY: K. ZUREK  
DATE: 2016/08/24

ENGINEER'S SEAL

ORIGINAL DRAWING SEALED BY: K. KOTYK  
SNC-LAVALIN INC. MEMBER # 21950  
2016/08/24  
REV. 00

**THE CITY OF WINNIPEG**  
WATER AND WASTE DEPARTMENT

ROUTE 90 UNDERPASS PUMPING STATION  
2016 UPGRADES  
DETAILS  
LADDER MODIFICATIONS

CITY DRAWING NUMBER: 1-0310U-S0007  
SHEET: 001  
REV: 00  
SIZE: A1

B-5515-11	PUMP STATION MISCELLANEOUS METAL
B-5515-7	PUMP STATION SECTIONS
B-5515-6	PUMP STATION FLOOR PLANS
B-5515-5	PUMP STATION SUPERSTRUCTURE
DRAWING NUMBER	REFERENCE DRAWINGS