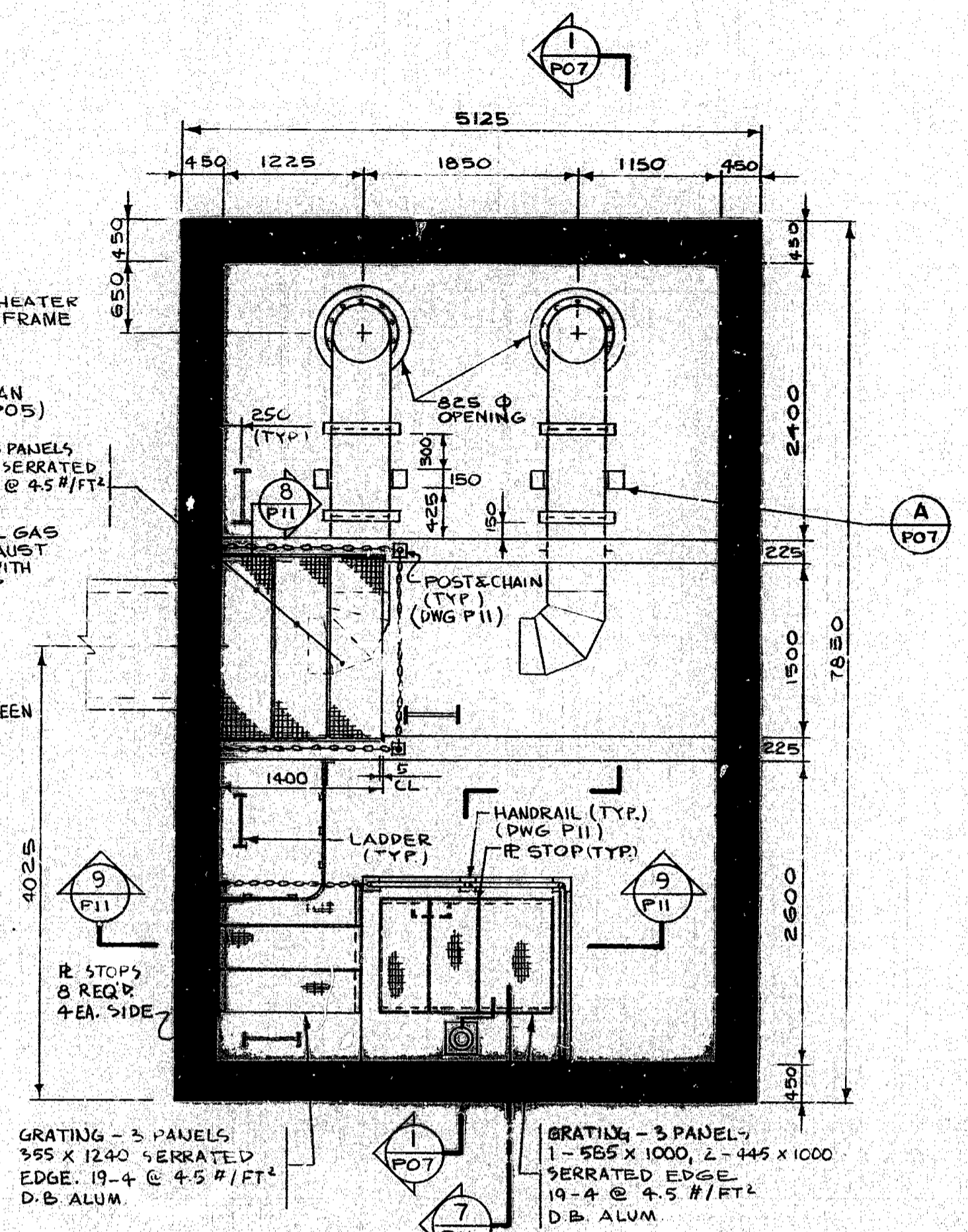
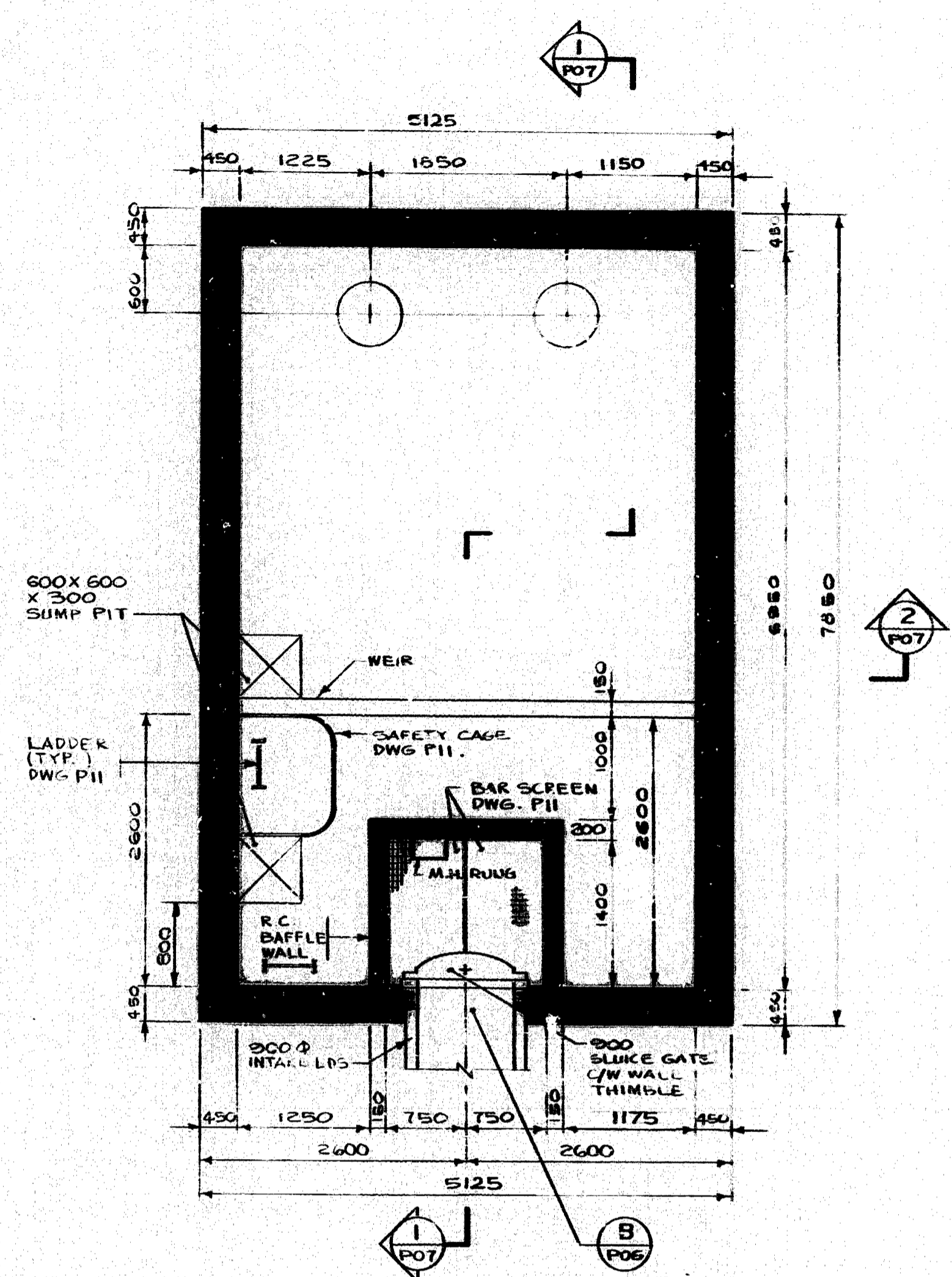


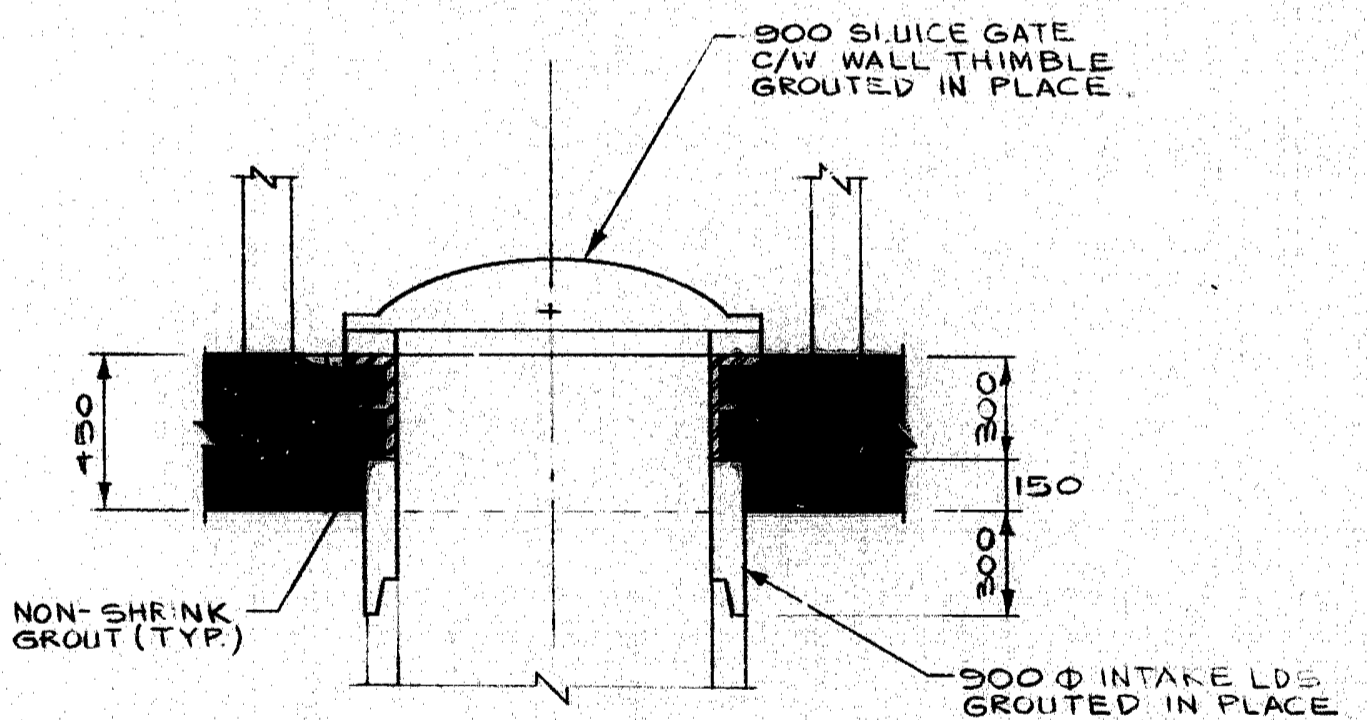
MAIN FLOOR PLAN  
EL. 234.238  
SCALE 1:40



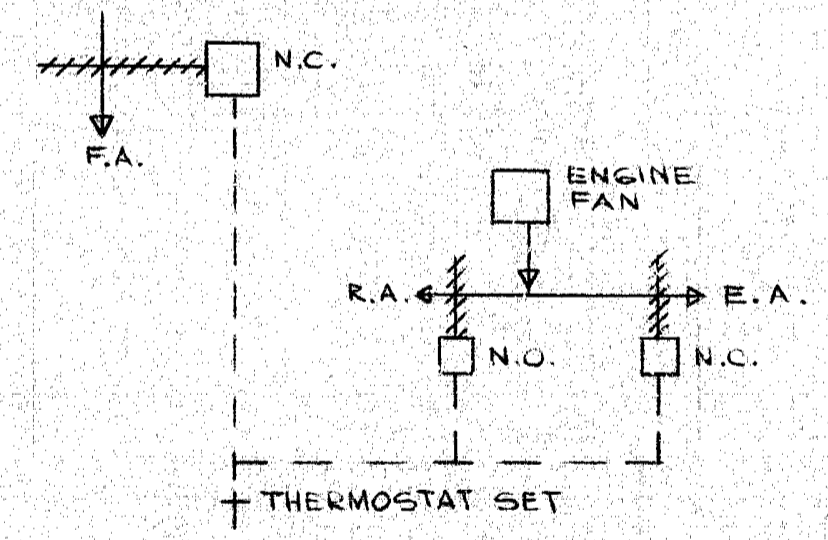
PIPING FLOOR PLAN  
SCALE 1:40



WET WELL PLAN  
SCALE 1:40

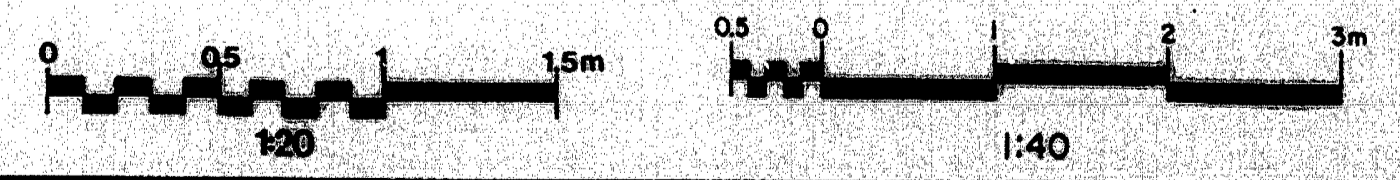


DETAIL B  
SCALE 1:20 P09



VENTILATION CONTROL SCHEMATIC

- GENERAL NOTES**
1. CONCRETE MATERIALS, METHOD OF CONCRETE CONSTRUCTION AND METHODS OF TEST FOR CONCRETE SHALL CONFORM TO CSA STANDARDS, CAN 3-A23.1-M77 AND CAN 3-A23.2-M77.
  2. CONCRETE SHALL HAVE THE FOLLOWING: MINIMUM COMPRESSIVE STRENGTH OF  $f'_c = 30 \text{ MPa}$  AT 28 DAYS SULPHATE RESISTANT PORTLAND CEMENT TYPE 50, AND MAXIMUM SIZE OF COARSE AGGREGATE OF 40mm.
  3. STRUCTURAL STEEL SHALL CONFORM TO CSA STANDARD CAN 3-G4.21-M81, GRADE 300 W.
  4. DIMENSIONS OF PUMP OPENINGS IN MAIN FLOOR SLAB DEPEND ON EQUIPMENT TO BE INSTALLED. CLEARANCE REQUIRED = 100 (MM).



**METRIC**  
WHOLE NUMBERS INDICATE MILLIMETRES  
DECIMALIZED NUMBERS INDICATE METRES

|   |  |  |  |  |  |
|---|--|--|--|--|--|
| NO. _____<br>REVISIONS _____<br>DATE APP. _____ |  | DESIGNED BY: <i>SWM</i><br>CHECKED BY: <i>Am</i><br>APPROVED BY: <i>R. W. J. Mourant</i>           | DRAWN BY: <i>R. W. J. Mourant</i><br>DATE: 21-05-82<br>DATE: 10/6/02 | <p><b>THE CITY OF WINNIPEG</b><br/>WORKS &amp; OPERATIONS DIVISION<br/>STREETS &amp; TRANSPORTATION DEPARTMENT</p> | ROUTE 90 UNDERPASS<br>PUMP STATION FLOOR PLANS |
|   |  | AUTHORIZED BY: <i>[Signature]</i> 1982-10-08<br>ACCEPTED BY: <i>[Signature]</i> 12/11/02           |  |  | SCALE: AS SHOWN<br>DRAWING NO. U226-02-P06     |
|   |  | REVISED AS CONSTRUCTED<br>DATE 04/12/7 BY <i>[Signature]</i><br>CHECKED BY <i>[Signature]</i> P.E. |  |  | ENGINEER'S SEAL                                |
|   |  | METRIC   |  |  | ENGINEER'S SEAL                                |

B-5515-6