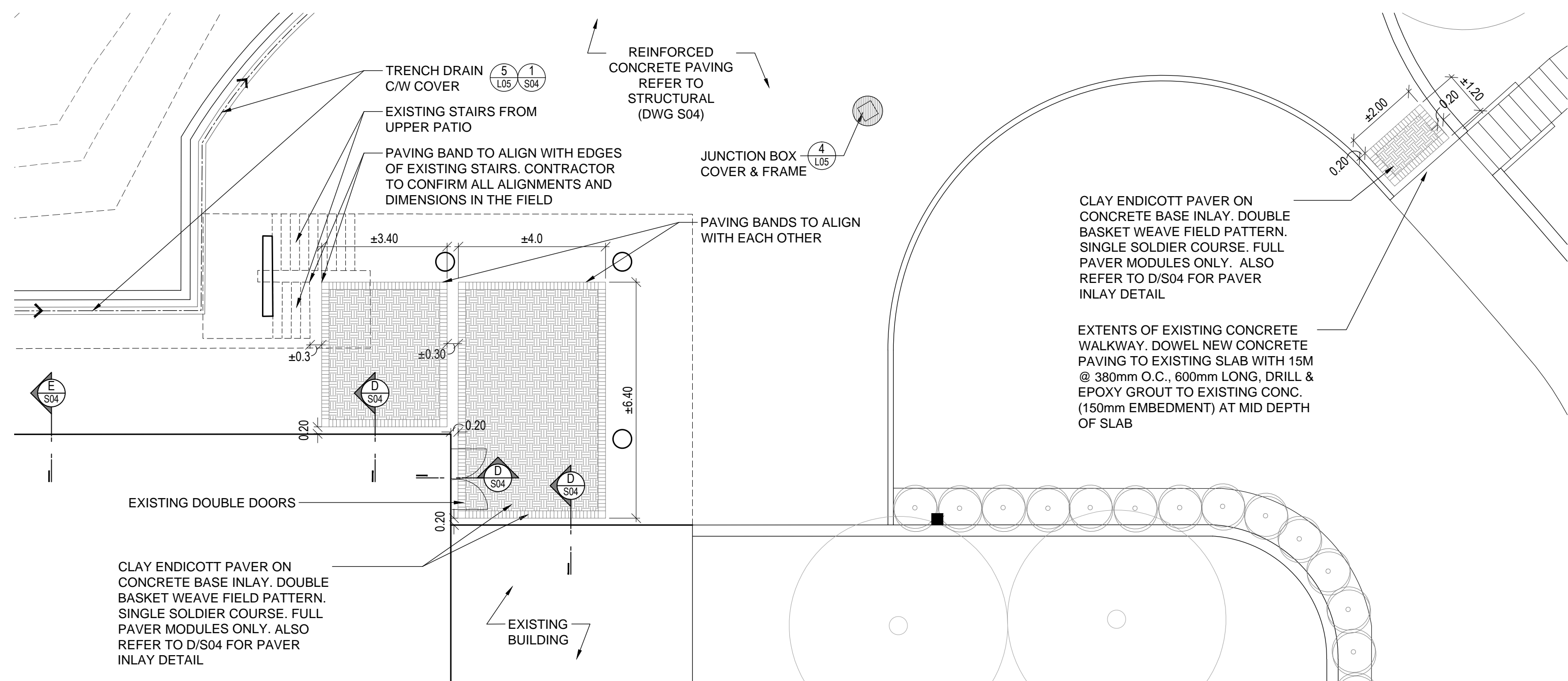
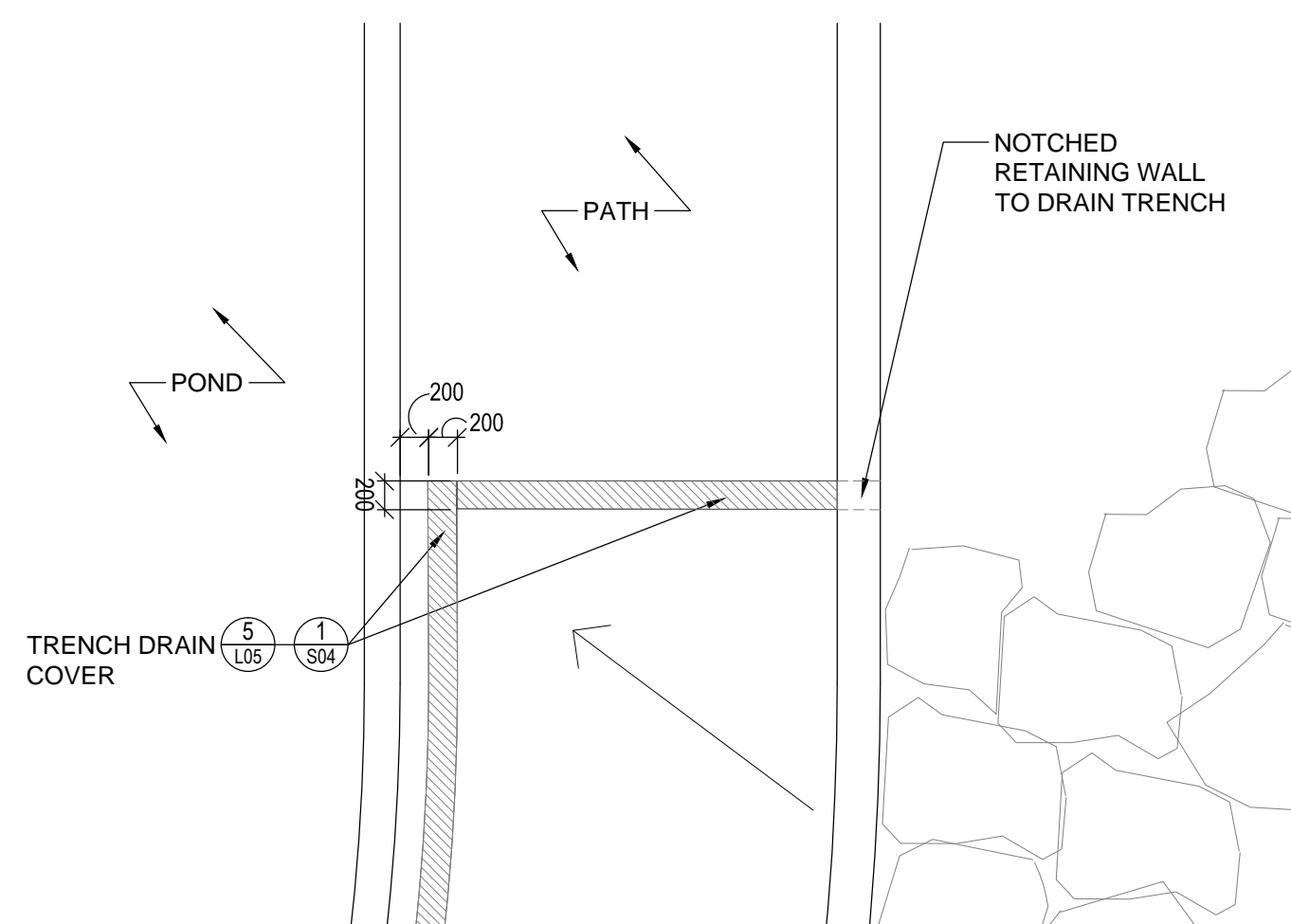


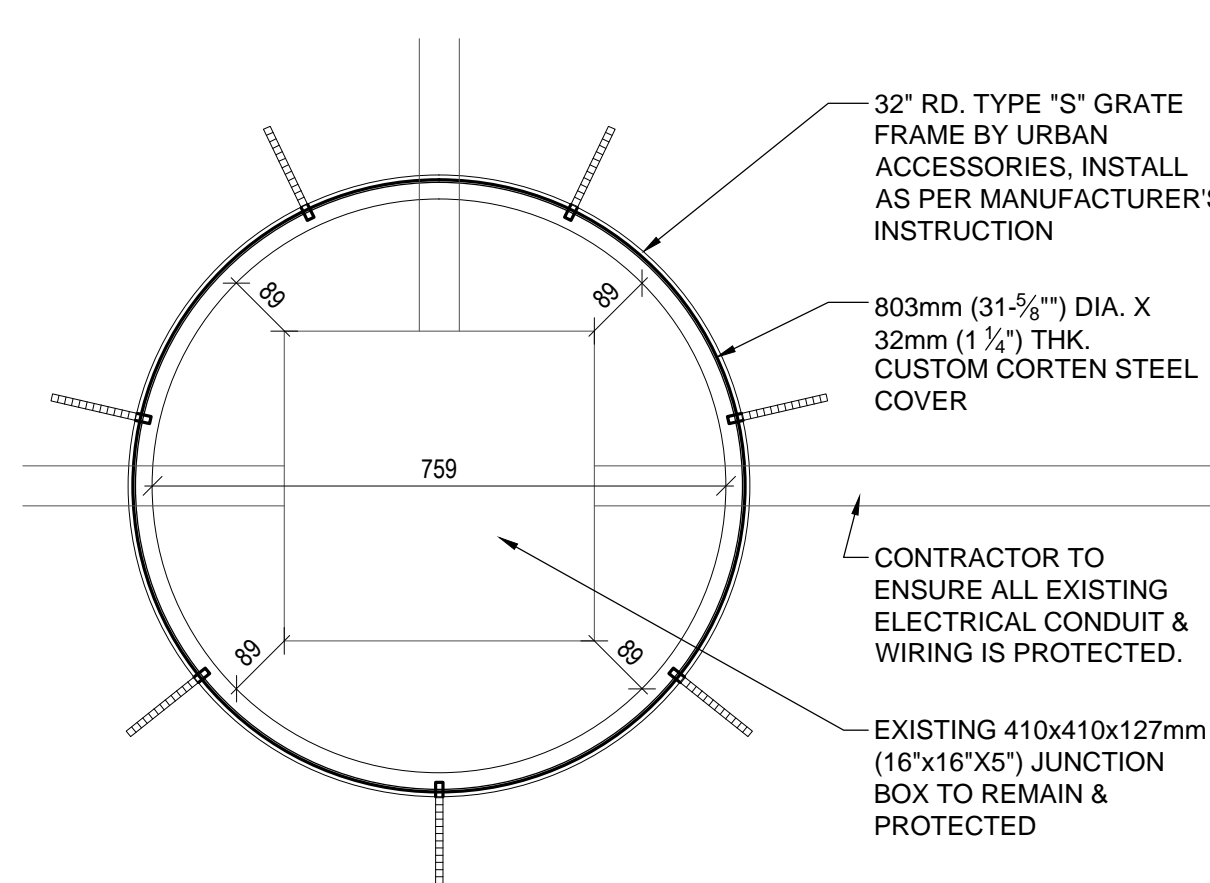
1 PAVING LAYOUT - WEST LOWER PLAZA
 L05 SCALE - 1 : 100



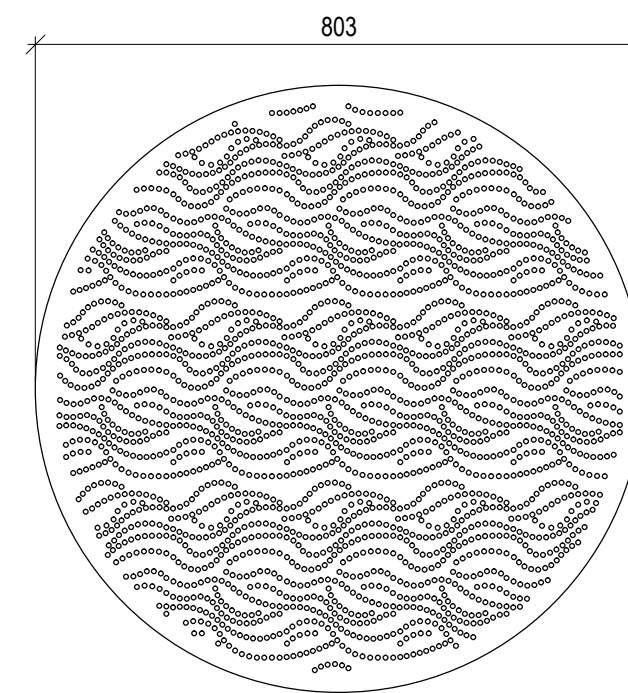
2 PAVING LAYOUT - EAST LOWER PLAZA
 L05 SCALE - 1 : 100



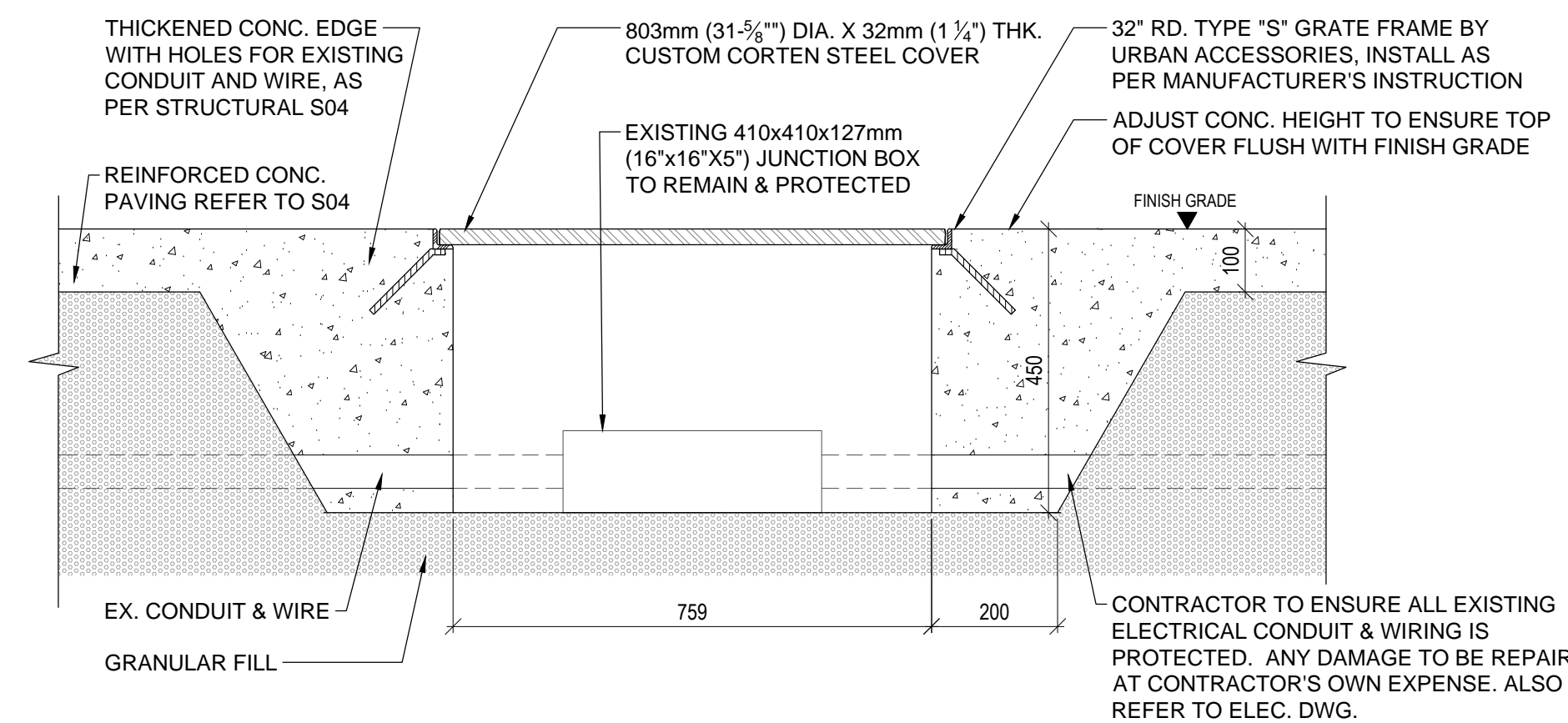
3 DETAILED LAYOUT - TRENCH DRAIN TO OUTLET
 L05 SCALE - 1 : 20



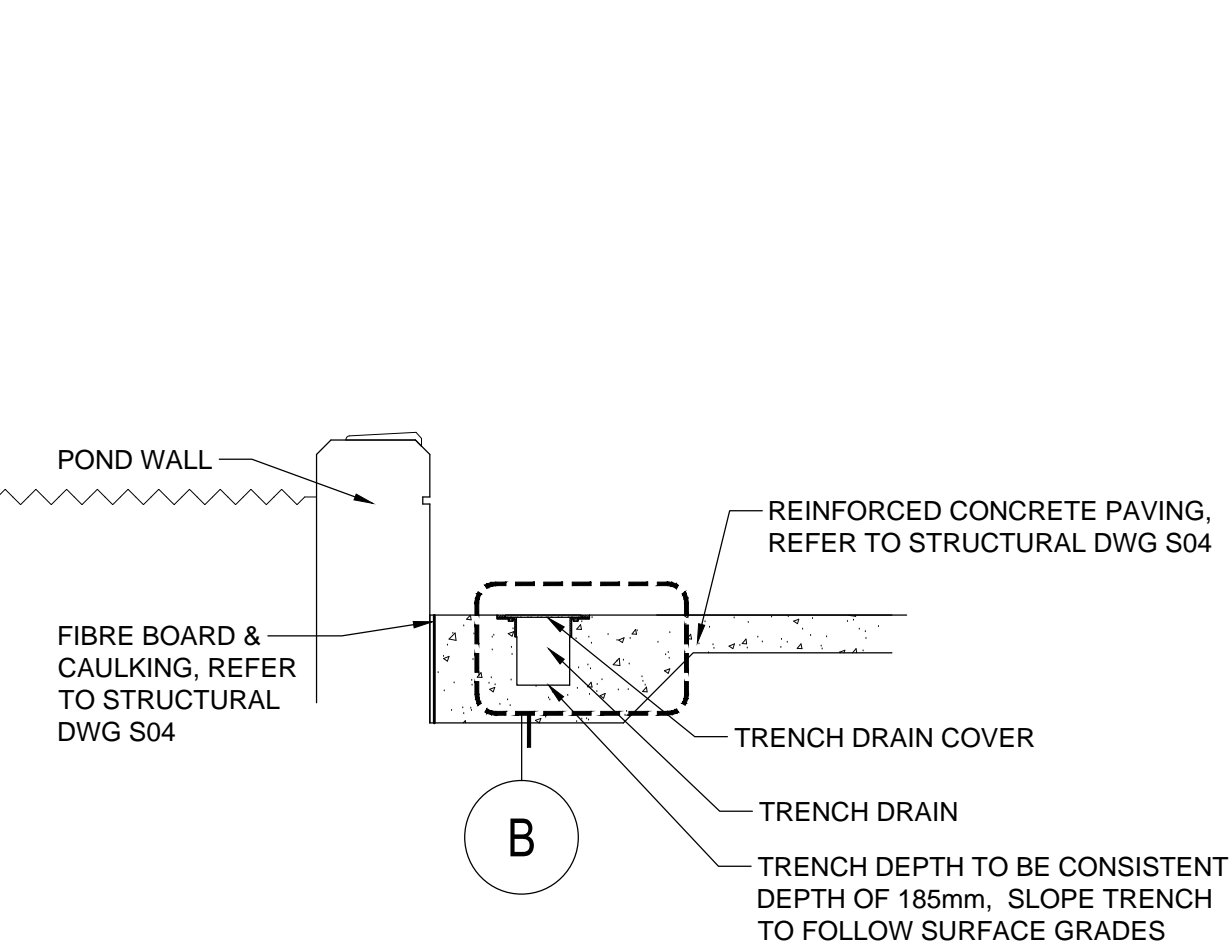
A PLAN - FRAME
 SCALE - 1 : 10



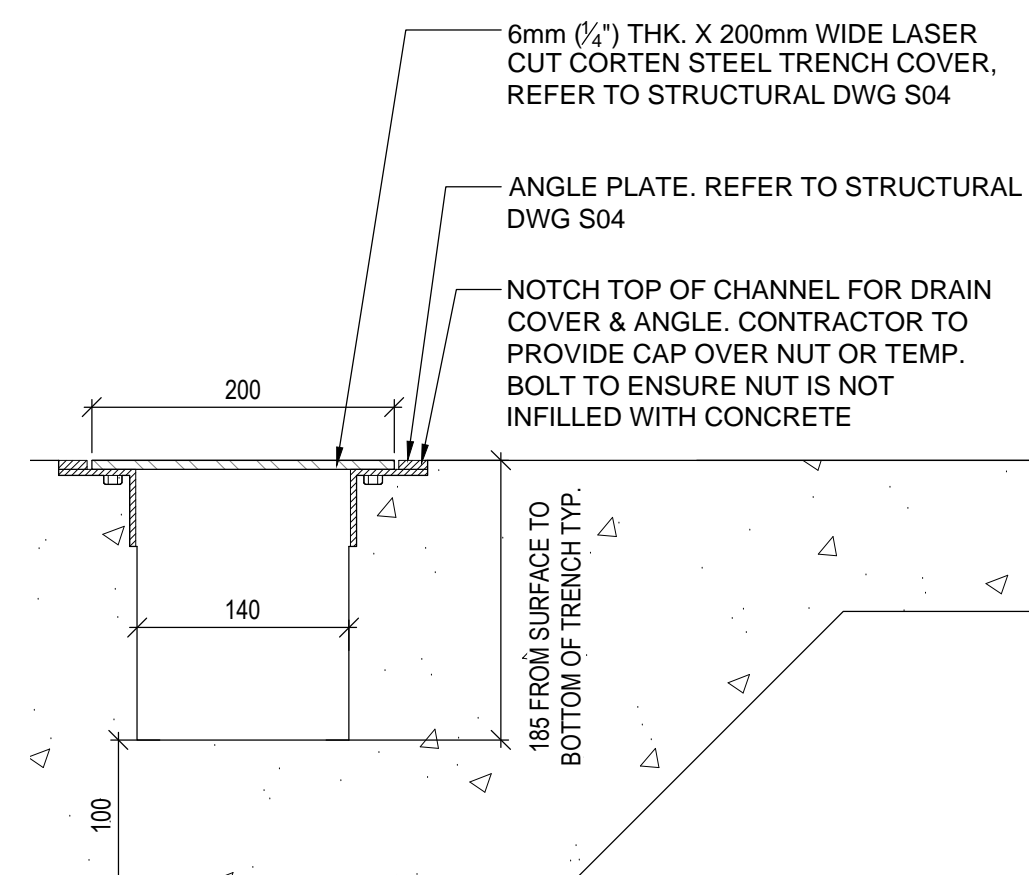
B PLAN - COVER
 SCALE - 1 : 10



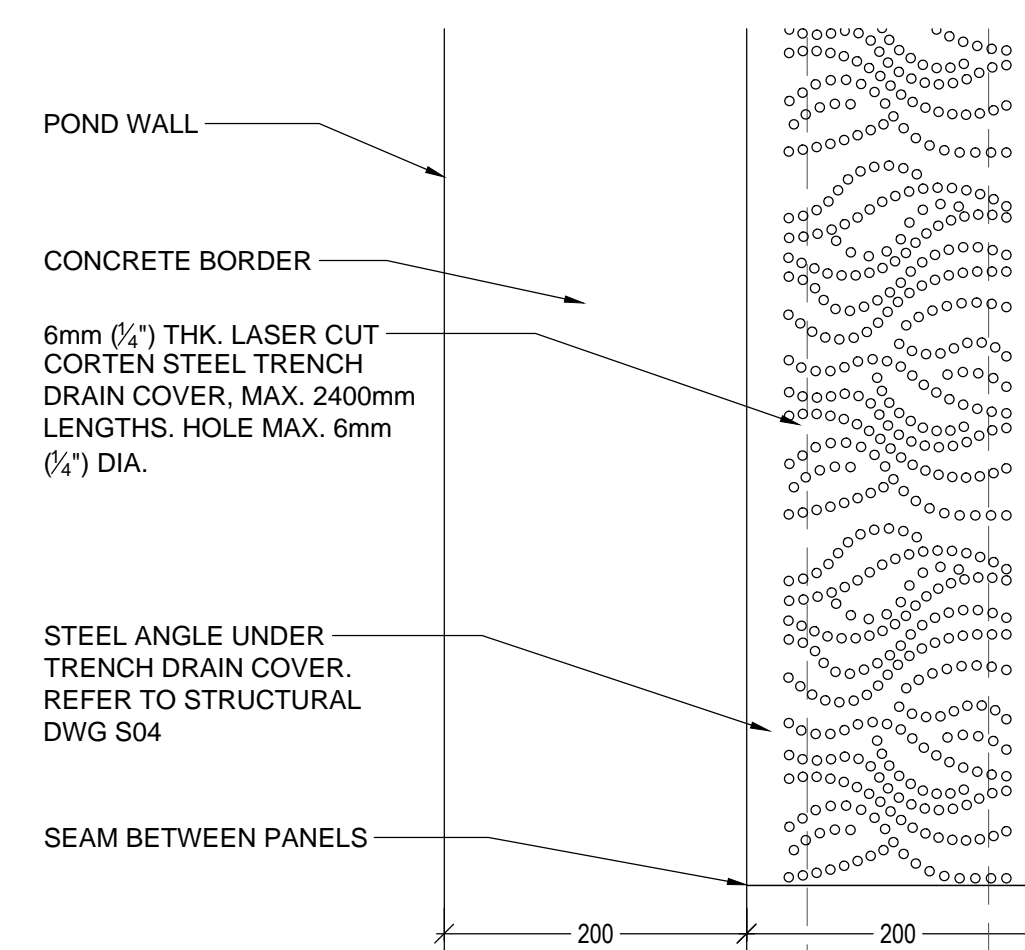
C SECTION
 SCALE - 1 : 10



A SECTION
 SCALE - 1 : 20



B ENLARGEMENT
 SCALE - 1 : 5



C TYP. COVER PATTERN
 SCALE - 1 : 5

5 TRENCH DRAIN
 L05 SCALE - AS SHOWN

- NOTE:
- PAVERS TO BE ENDICOTT CLAY PAVERS ON CONCRETE BASE TO MATCH EXISTING AT UPPER PLAZA. COLOUR TO BE VERIFIED ON SITE.
 - DIMENSIONS FOR PAVER INLAY AREAS ARE APPROXIMATE. CONTRACTOR SHALL MARK EXTENTS OF PAVERS, LAY PAVERS WITH CONSISTENT SPACING AND ENSURE FULL PAVERS ARE INSTALLED FOR SOLDIER COURSE AND DOUBLE BASKET WEAVE PAVING FIELD.
 - SOLDIER COURSE TO HAVE 200mm x 200mm x 60mm ENDICOTT PAVERS AT CORNERS
 - NO CHIPPED OR BROKEN PAVERS WILL BE ACCEPTED

NOTE
 PATTERN SHOWN IS FOR PRICING PROPOSES ONLY. FINAL PATTERN TO BE SUPPLIED BY CONTRACT ADMINISTRATOR IN CAD FORMAT FOR MANUFACTURING.

NOTE
 PATTERN SHOWN IS FOR PRICING PROPOSES ONLY. FINAL PATTERN TO BE SUPPLIED BY CONTRACT ADMINISTRATOR IN CAD FORMAT FOR MANUFACTURING.

REV	YY / MM / DD	DESCRIPTION	DM	BY
0	16 / 09 / 28	ISSUED FOR CONSTRUCTION		

SCATLIFF + MILLER + MURRAY
 visionary urban design + landscapes

CLIENT
 CITY OF WINNIPEG

PROJECT
 PEGUIS PAVILION
 POND RENOVATIONS +
 LANDSCAPING - PHASE IV

TITLE
 DETAILS

DESIGN	DRAWN	DATE - Y / M / D	SCALE
JW / AH	AH / WF	2016-09-28	AS SHOWN
CHECKED	APPROVED	JOB NO.	DRAWING NO.
DKM	DKM	775-2016	L05