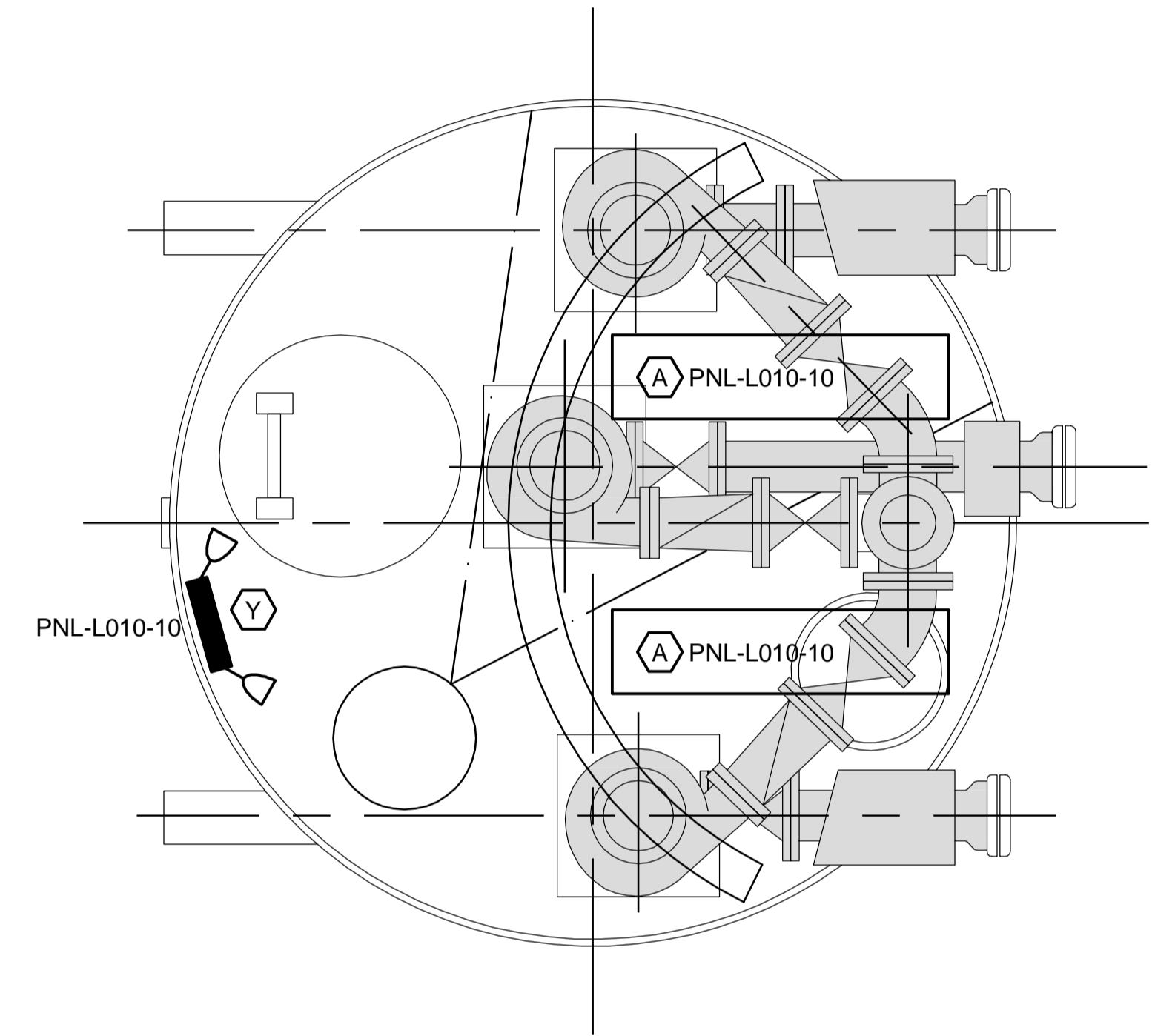


**BUILDING FLOOR PLAN**  
SCALE 1:20

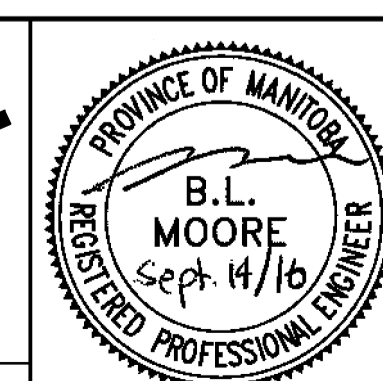


**STATION FLOOR PLAN**  
SCALE 1:20

LUMINAIRE SCHEDULE					
TYPE	MANUFACTURER	CAT. NO.	LAMP	VOLTAGE	REMARKS
A4	COOPER VAPOUR TITE	VT-LD2-58DER-UNV-L840-WL-SSL	LED 80W	120V	CORROSION RESISTANT
E1	INVUE	ENV-B01-LED-E1-BL2-BZ-PC-WG	LED 26W	120V	DECORATIVE WALL MOUNT, PROVIDE PHOTOCELL, WIRE GAURD
X	BEGHELLI	AQ-RM-12-36	LED 2W	120V	NEMA 4X COMBINATION EXIT/EMERG. LIGHT GREEN PICTORGRAM 2 LAMPS
Y	BEGHELLI	AQ-U-12-36	LED 2W	120V	NEMA 4X DUAL HEAD EMERGENCY LIGHT



B.M. ELEV.	DESIGNED BY	BLM
	DRAWN BY	SCK
	CHECKED BY	BLM
	APPROVED BY	
	HOR. SCALE	AS SHOWN
	VERTICAL	
A	ISSUED FOR BID OP. 803-2016	16/09/14 BLM
NO.	REVISIONS	DATE BY DATE



BURROWS WASTEWATER PUMPING STATION UPGRADES FLOOR PLANS - LIGHTING

CITY DRAWING NUMBER  
1-01211-F0004-001  
SHEET 11 OF 16

E-3