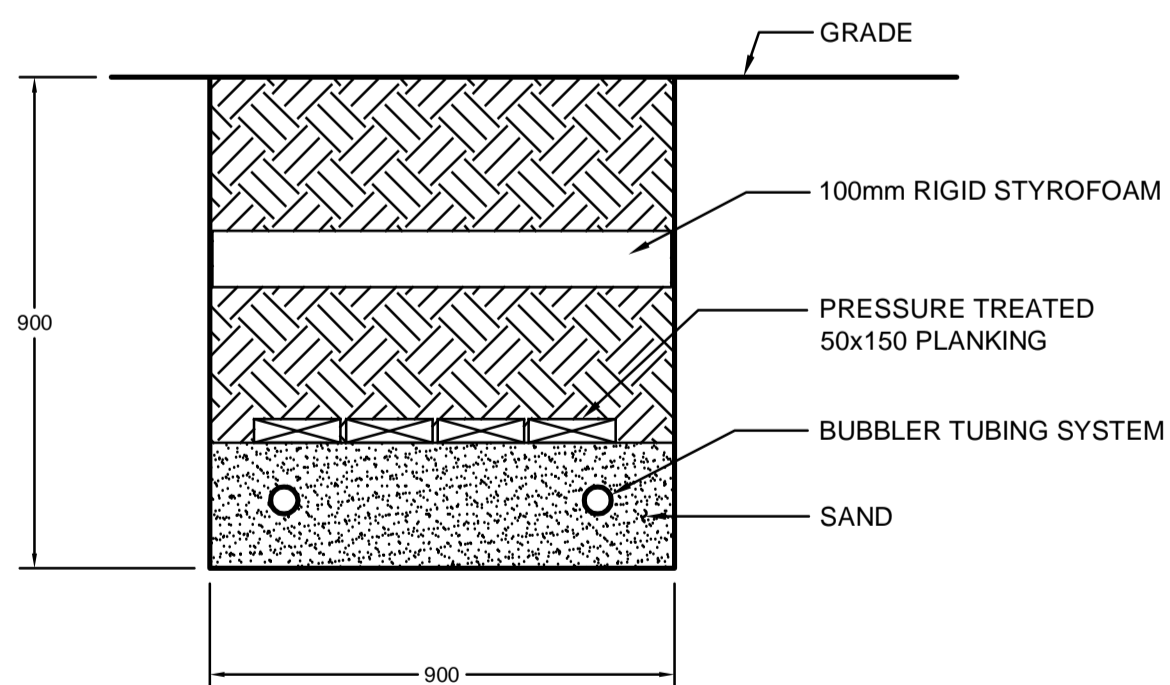


**ELECTRICAL SITE PLAN**  
SCALE 1:125

**NOTE**

1. PROTECT POWER CABLES FOR TEMPORARY PUMPING ACROSS BURROWS AVENUE.



**SECTION A-A**  
SCALE N.T.S.

DISTRIBUTION PANEL 'PNL-L1'								
CCT NO	DESCRIPTION	LOAD	TRIP AMPS	N ABC	TRIP AMPS	LOAD	DESCRIPTION	CCT NO
01			30A		70A		MCC-L01	02
03	TVSS				3P			04
05								06
07								08
09	XFMR-L10		15A		15A		UH-L61	10
11			3P		3P			12
13	SPACE						SPACE	14
15	SPACE						SPACE	16
17	SPACE						SPACE	18
19	SPACE						SPACE	20
21	SPACE						SPACE	22
23	SPACE						SPACE	24

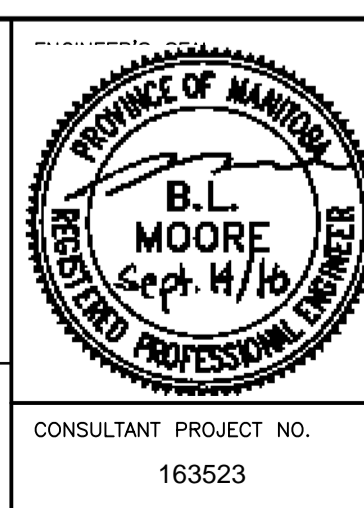
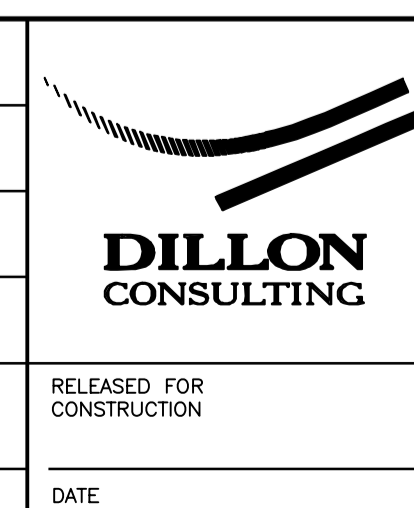
VOLTAGE: 347/600      PHASE: 3      WIRE: 4      BREAKER I.C.: 18 kAIC  
 MAIN BREAKER: N/A      MAINS: 100A      FEEDER: -  
 MOUNTING: SURFACE      LOCATION: -  
 FED FROM: ATS-L01  
 NOTES: -  
 -  
 -

DISTRIBUTION PANEL 'PNL-L010'								
CCT NO	DESCRIPTION	LOAD	TRIP AMPS	N ABC	TRIP AMPS	LOAD	DESCRIPTION	CCT NO
01			15A		15A		MAIN FLOOR RECEPT.	02
03	TVSS				15A		SUMP PUMP P-L04	04
05			3P		15A		DRY WELL RECEPT.	06
07	CMP-L51		20A		15A		MAIN FLOOR LIGHTS	08
09	CMP-L51 AUTO DRAIN		15A		15A		DRY WELL LIGHTS	10
11	BATTERY CHARGER		15A		15A		EXTERIOR LIGHT	12
13	GENERATOR CONTROLS		15A				SPACE	14
15	HVAC CONTROLLER		15A				SPACE	16
17	RTU CONTROL PANEL		15A				SPACE	18
19	EF-L60		15A				SPACE	20
21	SPACE						SPACE	22
23	SPACE						SPACE	24

VOLTAGE: 120/208V      PHASE: 3      WIRE: 4      BREAKER I.C.: 10 kAIC  
 MAIN BREAKER: N/A      MAINS: 100A      FEEDER: -  
 MOUNTING: SURFACE      LOCATION: -  
 FED FROM: XFMR-L10  
 NOTES: -  
 -  
 -



B.M. ELEV.	DESIGNED BY	BLM
	DRAWN BY	SCK
	CHECKED BY	BLM
	APPROVED BY	
	HOR. SCALE	NONE
	VERTICAL	
0 ISSUED FOR BID OP. 803-2016	16/09/14	BLM
NO. REVISIONS	DATE	BY



**THE CITY OF WINNIPEG**  
WATER AND WASTE DEPARTMENT

**Winnipeg**

BURROWS WASTEWATER PUMPING STATION UPGRADES  
PANEL SCHEDULES

CITY DRAWING NUMBER: 1-0121L-E0008-001  
SHEET 15 OF 16  
E-7