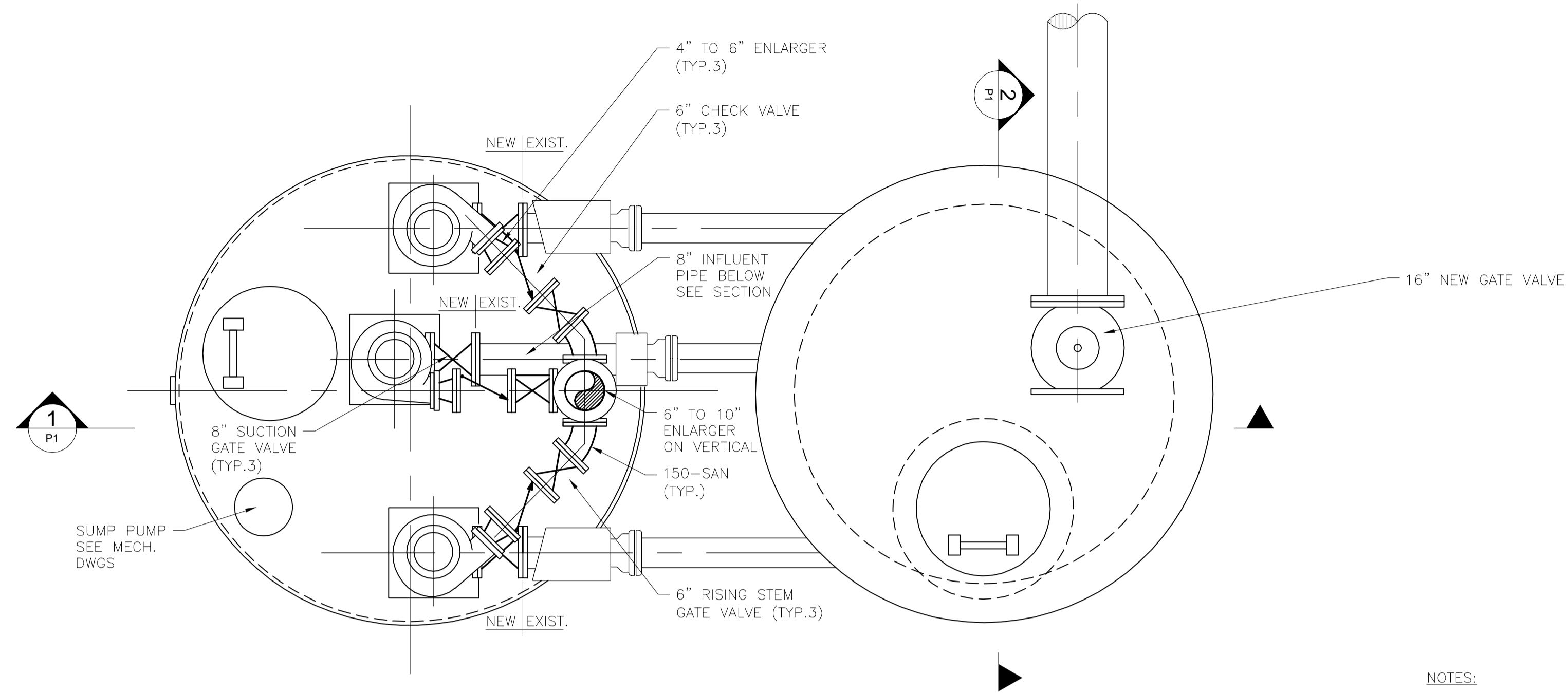
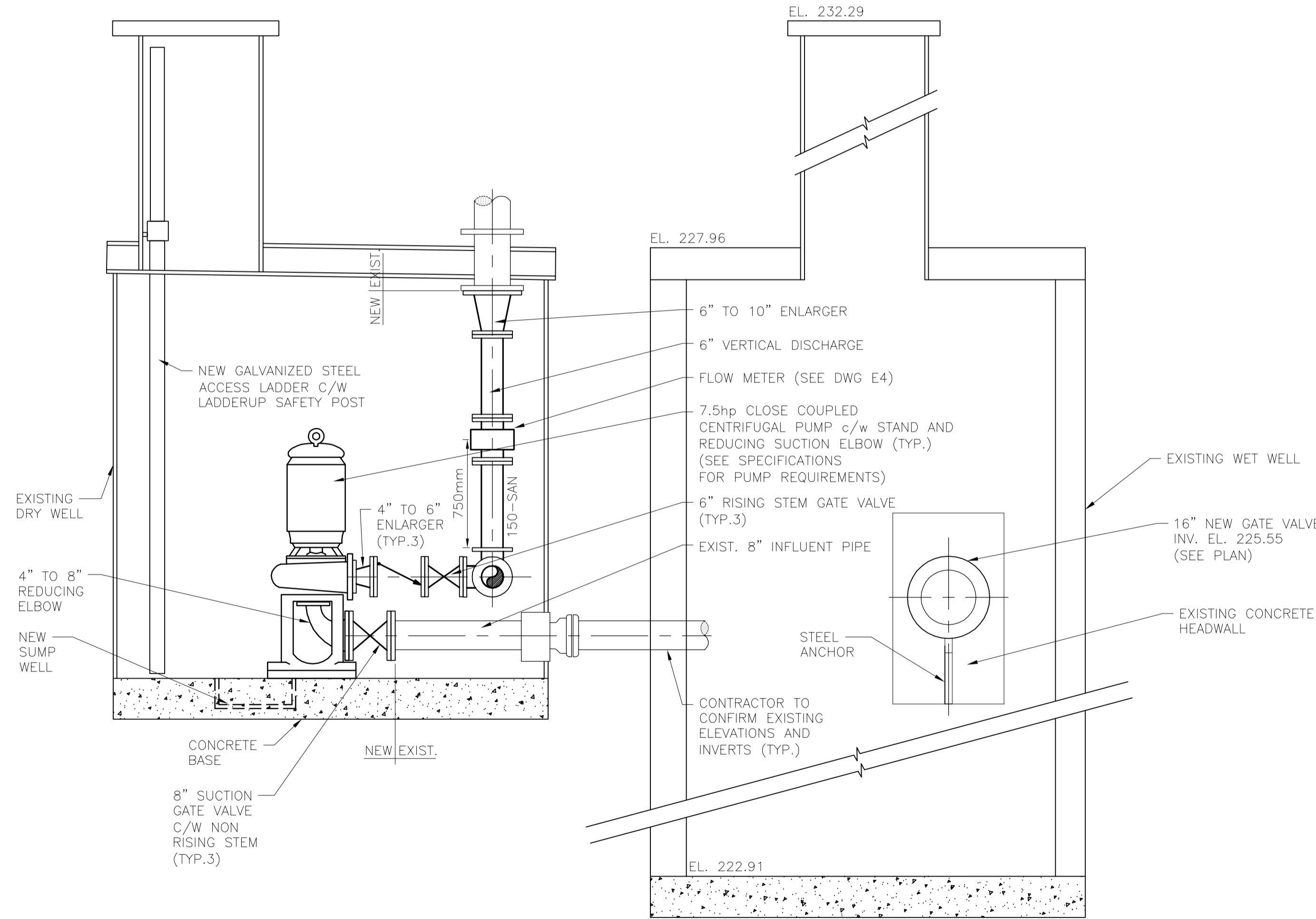


2 NEW WORK - BUILDING FLOOR PLAN
M1 1:50

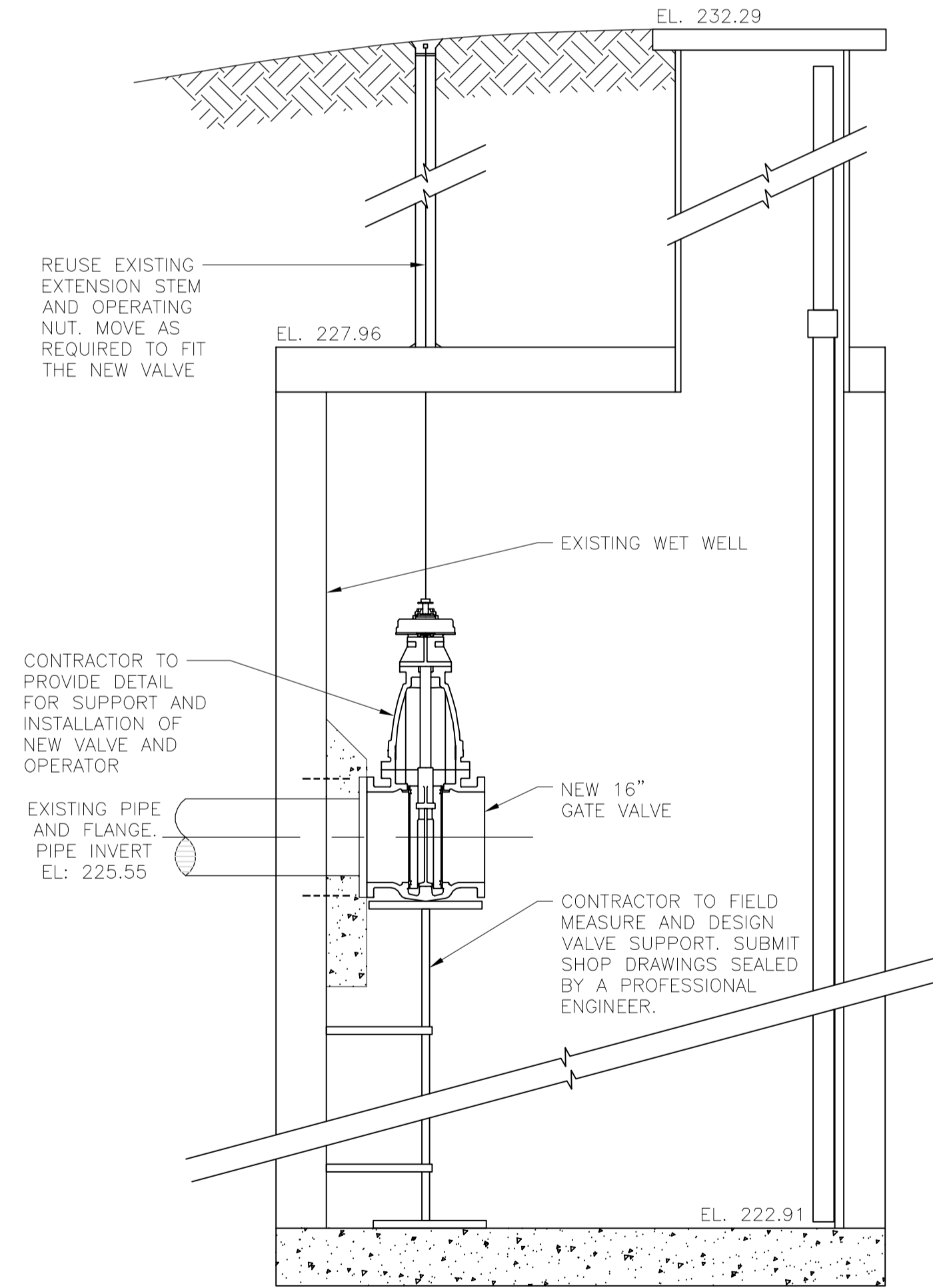


3 STATION FLOOR PLAN
M1 1:25

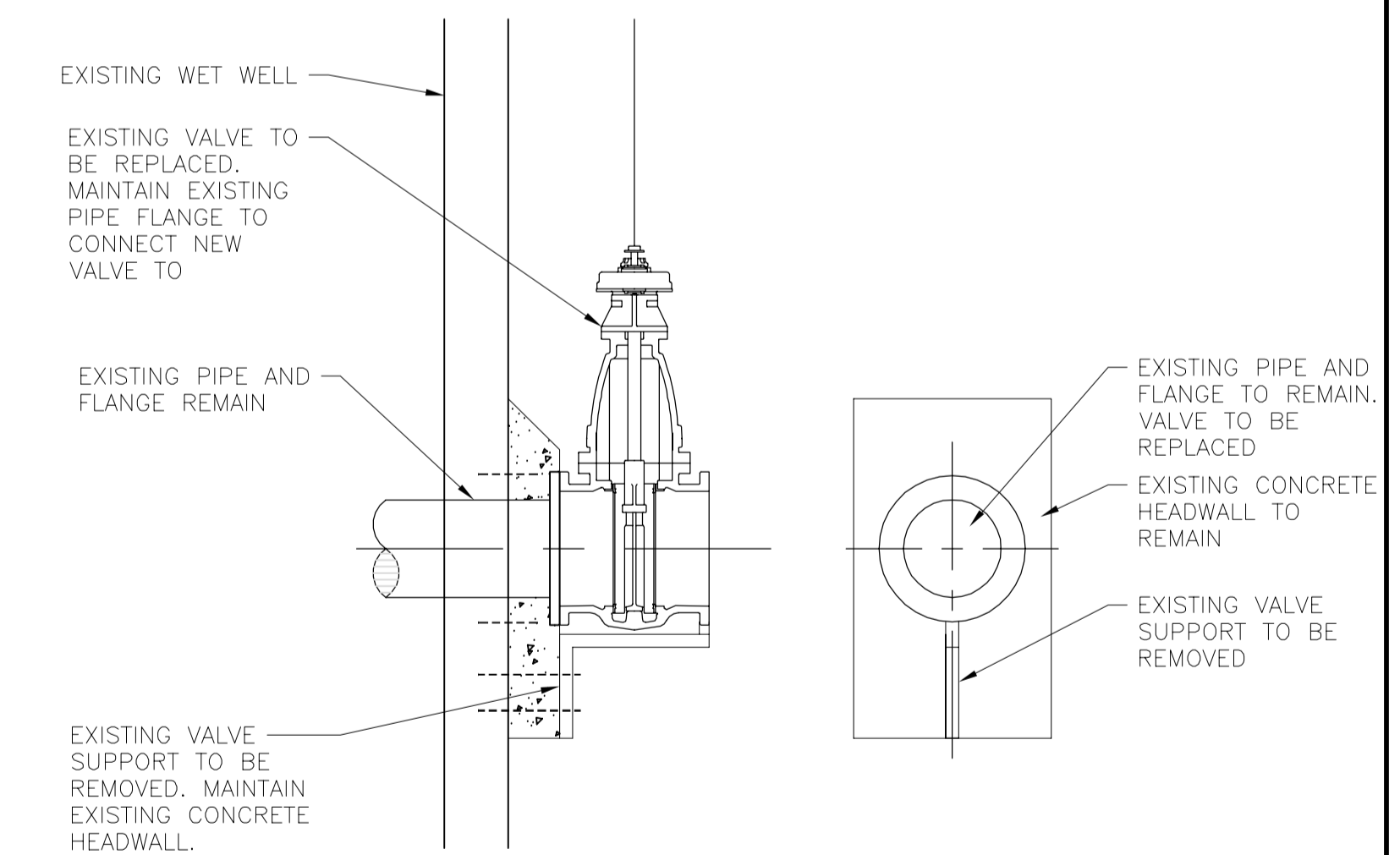
- NOTES:**
1. SEE SPECIFICATION FOR VALVE AND PIPING REQUIREMENTS (TYP.)
 2. CONTRACTOR TO FIELD MEASURE AND CONFIRM ALL DIMENSIONS AND ELEVATIONS PRIOR TO CONSTRUCTION.
 3. PROVIDE PIPE AND VALVE SUPPORTS AS REQUIRED.
 4. CONTRACTOR TO PROVIDE ALL PIPE FITTINGS AND ACCESSORIES AS REQUIRED.



1 STATION SECTION
P1 1:25



2 STATION SECTION
P1 1:25



VALVE REMOVAL DETAIL
NTS



B.M. ELEV.	DESIGNED BY	BMB
	DRAWN BY	SMZ
	CHECKED BY	TC
	APPROVED BY	BLM
	HOR. SCALE	AS SHOWN
	VERTICAL	
0	ISSUED FOR BID OP. 803-2016	09/14/16
NO.	REVISIONS	DATE BY DATE



BURROWS WASTEWATER PUMPING STATION UPGRADES PROCESS PLANS AND SECTIONS

CITY DRAWING NUMBER	1-0121L-P0004-001
SHEET OF	7 OF 15
	P-1