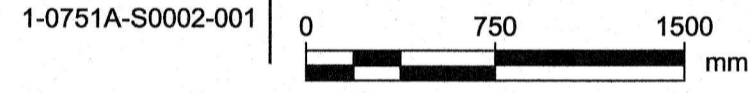
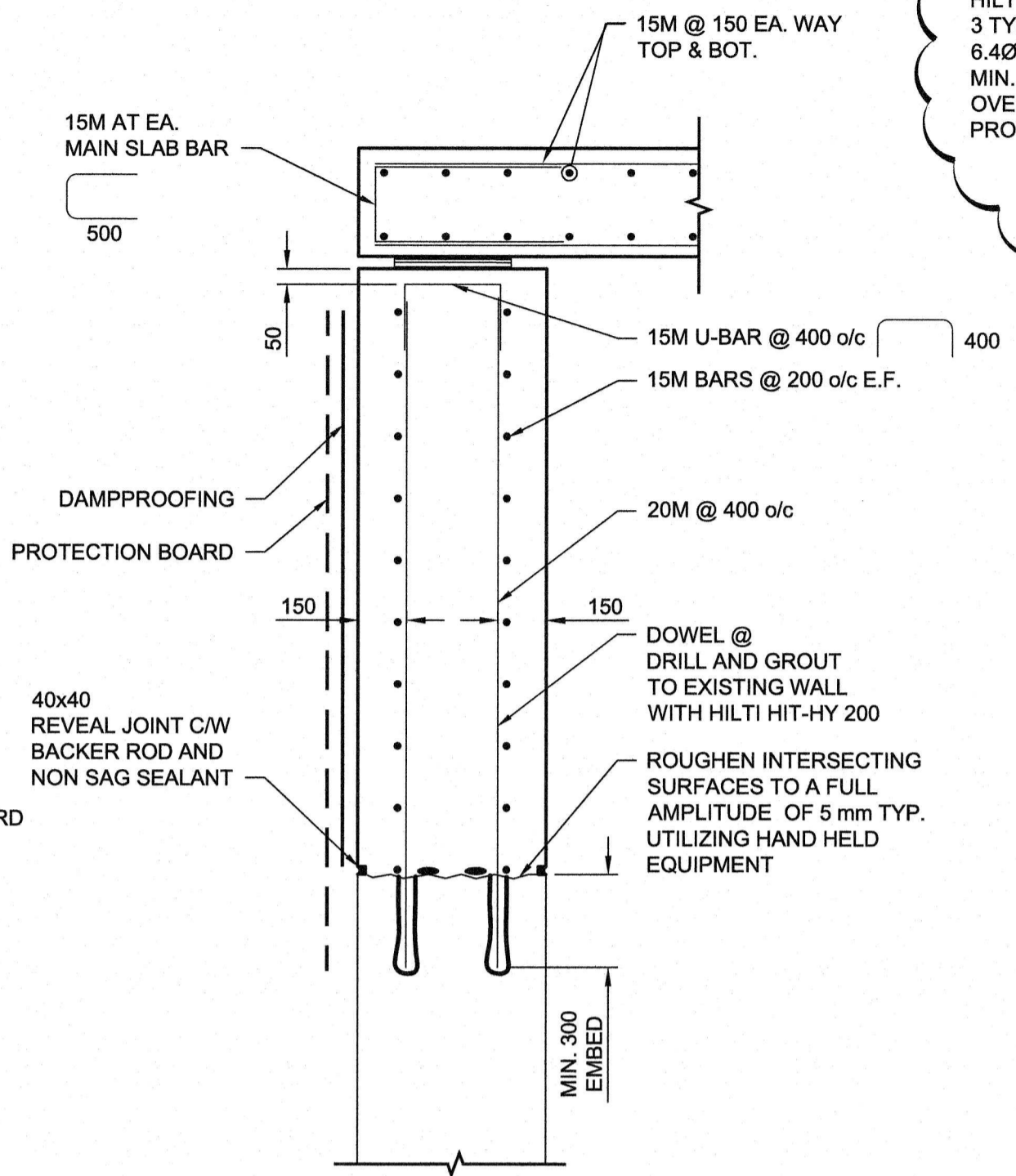


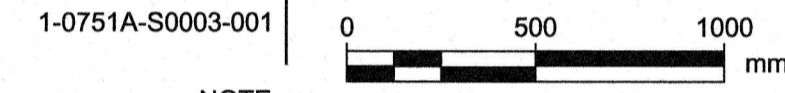
A FORMING & REINFORCING SECTION



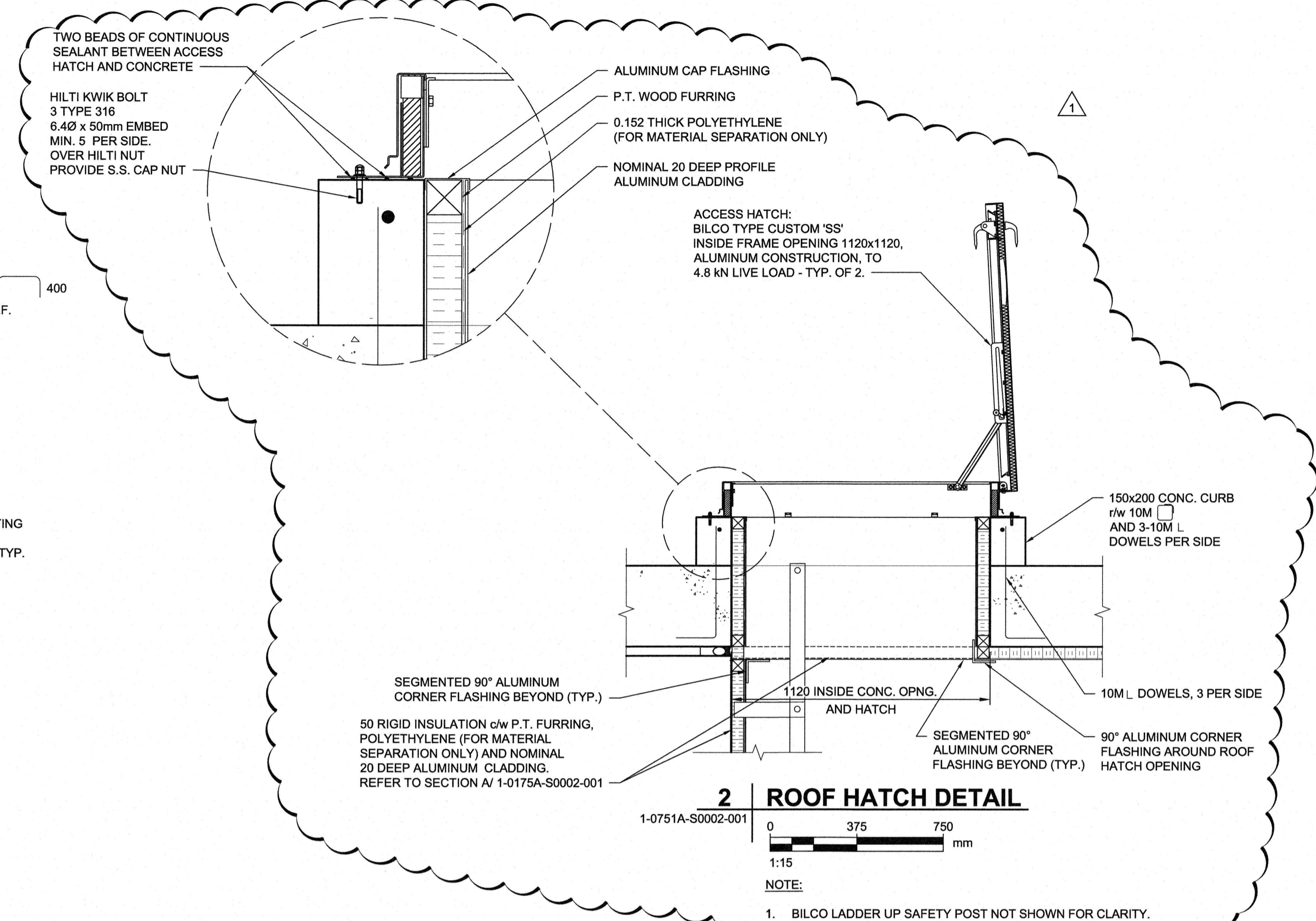
1:30
NOTE:
1. NOT ALL ITEMS SHOWN FOR CLARITY.



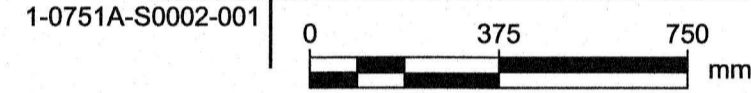
1 REINFORCING DETAIL



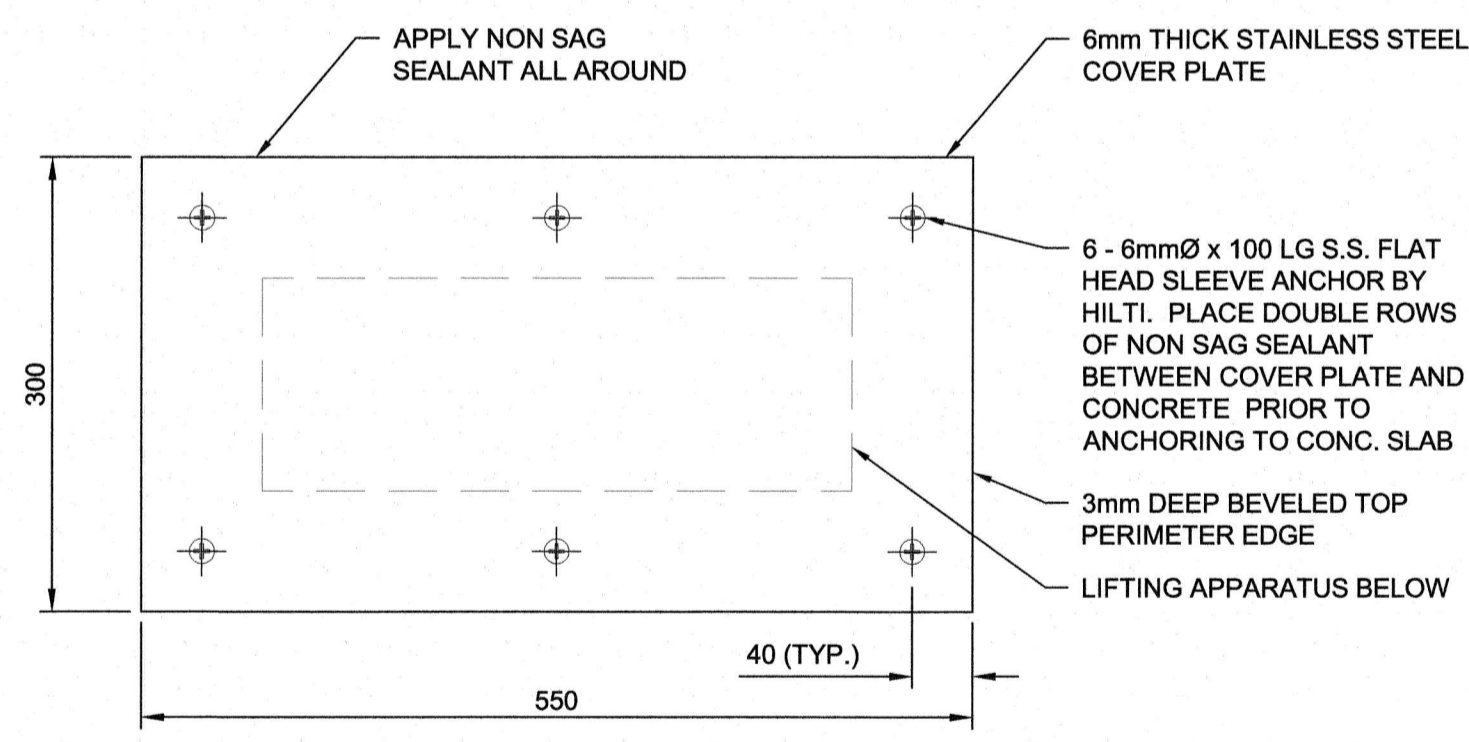
1:20
NOTE:
1. NOT ALL ITEMS SHOWN FOR CLARITY.



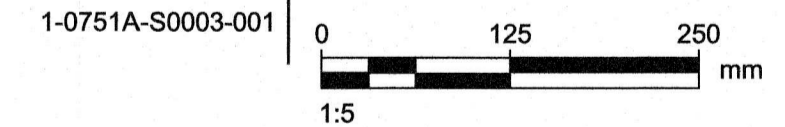
2 ROOF HATCH DETAIL



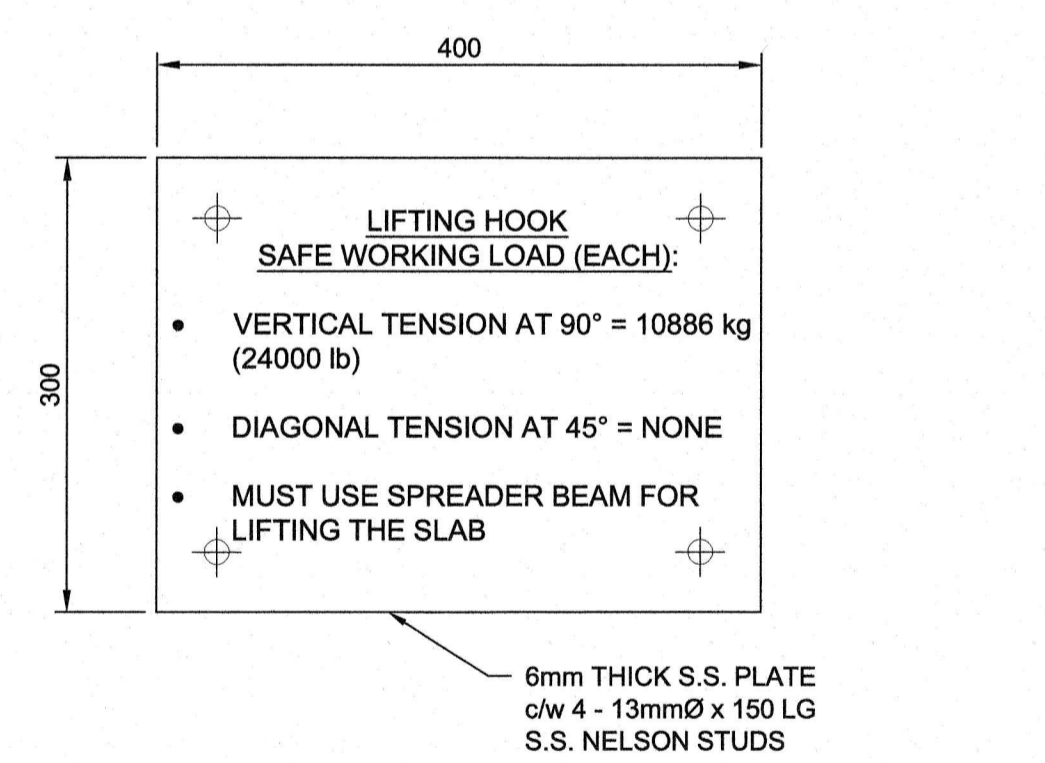
1:15
NOTE:
1. BILCO LADDER UP SAFETY POST NOT SHOWN FOR CLARITY.



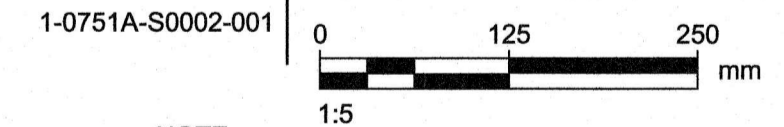
3 LIFTING APPARATUS COVER PLATE



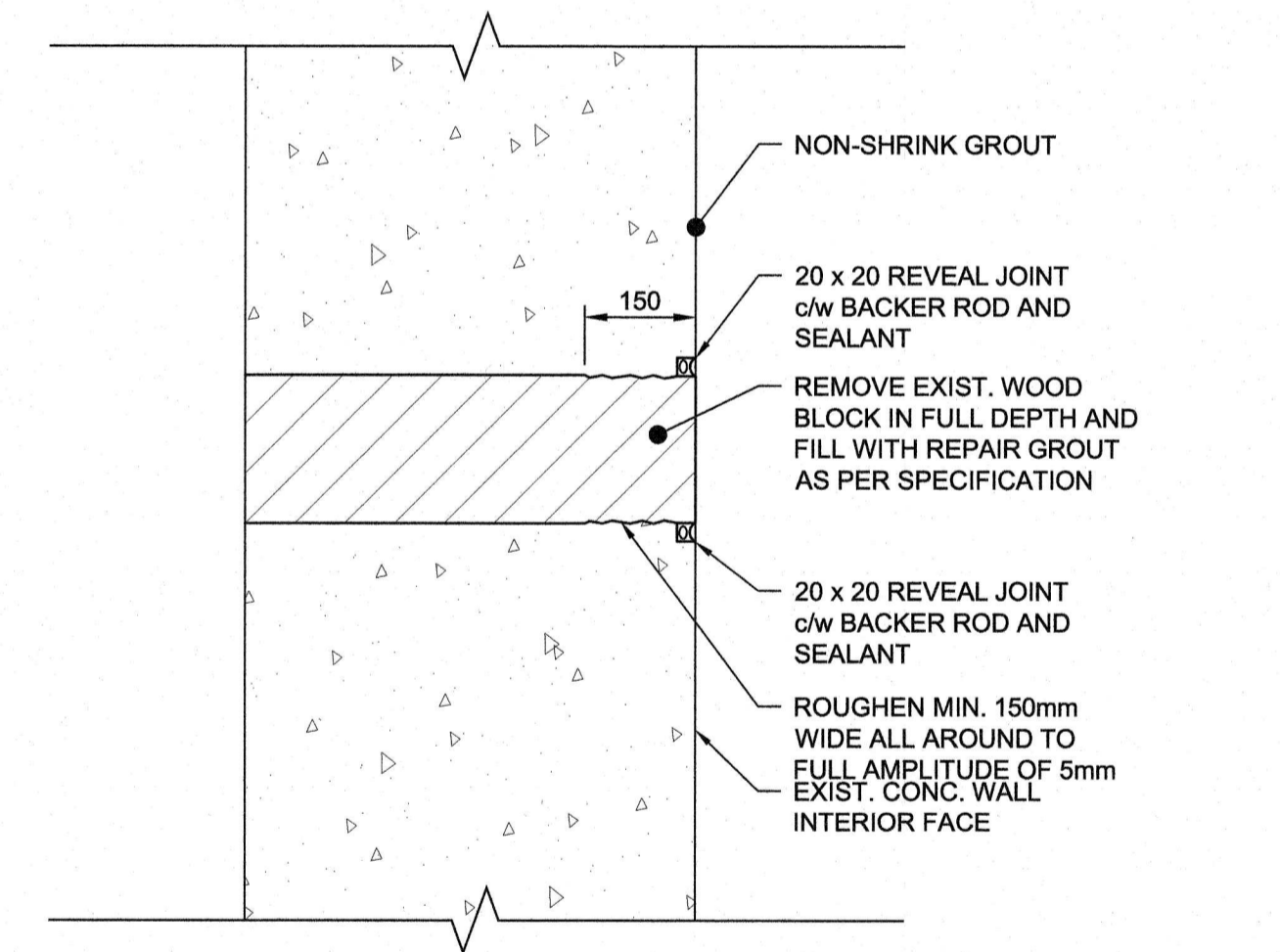
1:5



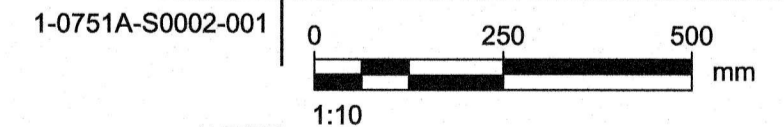
4 LIFTING APPARATUS SIGN PLATE



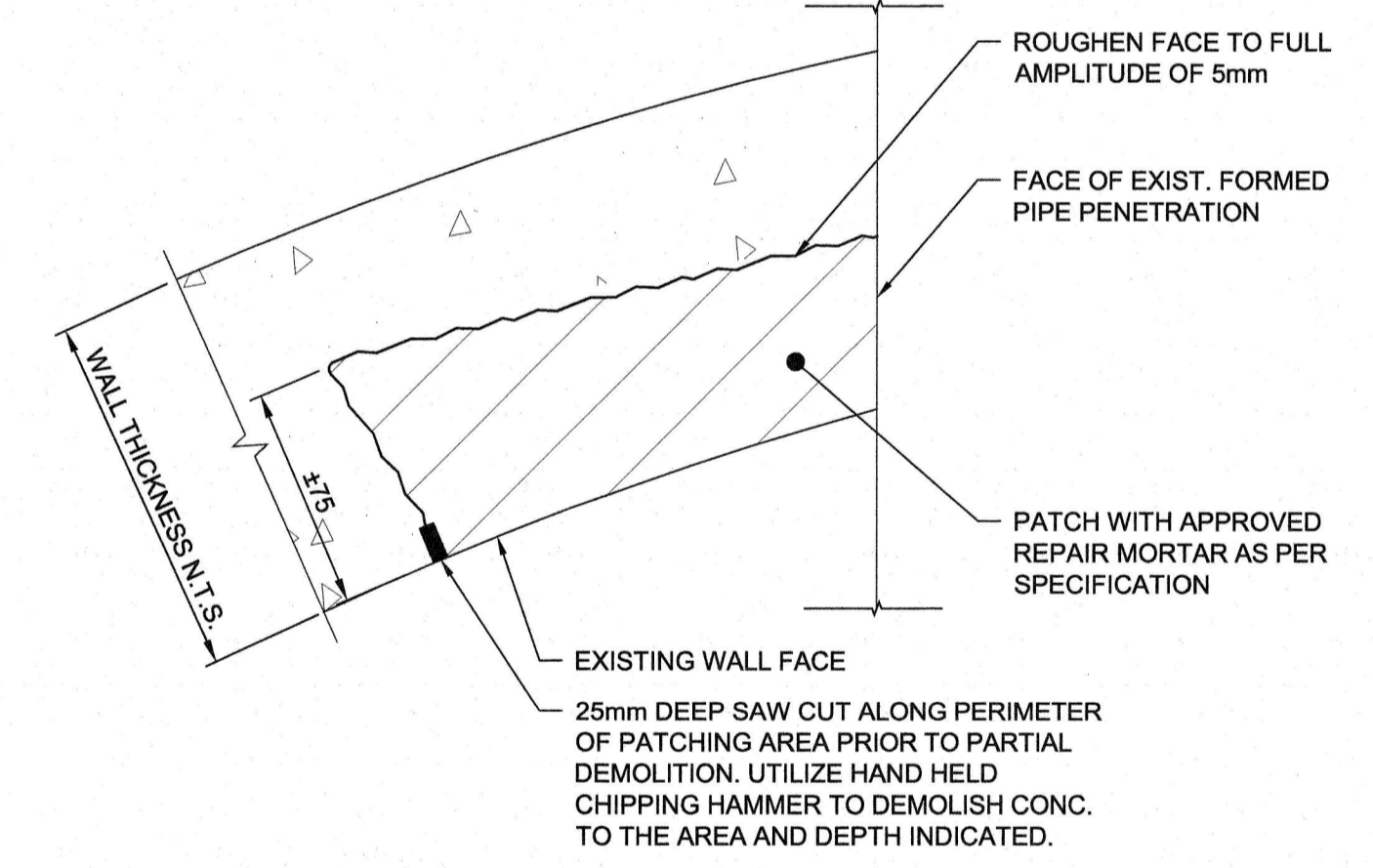
1:5
NOTE:
1. NOMINAL 3mm WIDE x 2mm DEEP ENGRAVED LETTERS c/w BLACK LETTER INFILL PAINT. FONT TYPE: ARIAL. MAXIMIZE FONT SIZE.



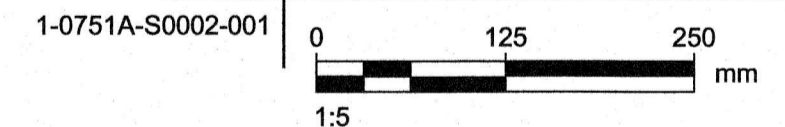
5 WOOD BLOCK PENETRATION REPAIR DETAIL



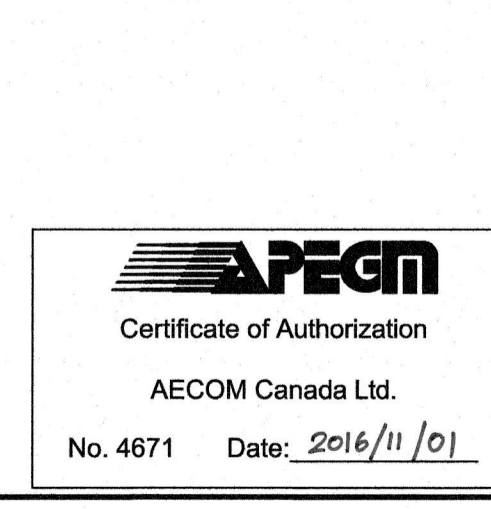
1:10
NOTES:
1. JUST PRIOR TO THE APPLICATION OF THE NON-SHRINK GROUT, ENSURE EXIST. CONC. WALL INTERIOR OPENING AND INTERIOR FACE FOR 1.0M AROUND THE PERIMETER OF THE OPENING IS IN A SATURATED SURFACE DRY STATE FOR A MINIMUM OF 24 HOURS.
2. WET CURE AREA UTILIZING LIQUID APPLIED CURE AND SEAL.



6 WALL SURFACE PATCHING REPAIR SECTION



1:5
NOTES:
1. JUST PRIOR TO THE APPLICATION OF THE NON-SHRINK GROUT, ENSURE EXIST. CONC. WALL INTERIOR OPENING AND INTERIOR FACE FOR 1.0M AROUND THE PERIMETER OF THE OPENING IS IN A SATURATED SURFACE DRY STATE FOR A MINIMUM OF 24 HOURS.
2. SAW CUT SHALL BE MADE UTILIZING LONG RADIUS CUTS (90° CORNERS ARE NOT ACCEPTABLE).



LOCATION APPROVED UNDERGROUND STRUCTURES			
SUPR. U/G STRUCTURES	DATE	COMMITTEE	
NOTE: LOCATION OF UNDERGROUND STRUCTURES AS SHOWN ARE BASED ON THE BEST INFORMATION AVAILABLE. BUT NO GUARANTEE IS GIVEN THAT ALL EXISTING UTILITIES ARE SHOWN OR THAT THE GIVEN LOCATIONS ARE EXACT. CONFIRMATION OF EXISTENCE AND EXACT LOCATION OF ALL SERVICES MUST BE OBTAINED FROM THE INDIVIDUAL UTILITIES BEFORE PROCEEDING WITH CONSTRUCTION.			
1	ISSUED FOR ADDENDUM 2	16/11/01	DRL
0	ISSUED FOR CONSTRUCTION	16/10/13	DRL
NO.	REVISIONS	YYMMDD	BY

AECOM			
DESIGNED BY	ARA	CHECKED BY	GGP
DRAWN BY	DRL	APPROVED BY	
HOR. SCALE	AS NOTED	RELEASED FOR CONSTRUCTION	Original signed by H. BUHLER OCT 13/16
VERT. SCALE	N/A	DATE	

PROFESSIONAL'S SEAL	
CONSULTANT DRAWING NO. 60506849-SHT-30-0000-S-3003	

THE CITY OF WINNIPEG
WATER AND WASTE DEPARTMENT

BRANCH I AQUEDUCT
EAST TUNNEL SHAFT UPGRADES

STRUCTURAL
FORMING & REINFORCING
SECTION & DETAILS

SHEET 7 OF 8

CITY DRAWING NUMBER

1-0751A-S0003-001 1