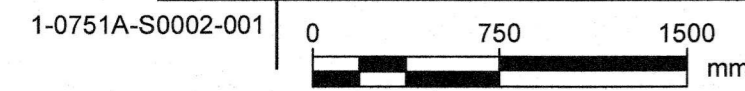
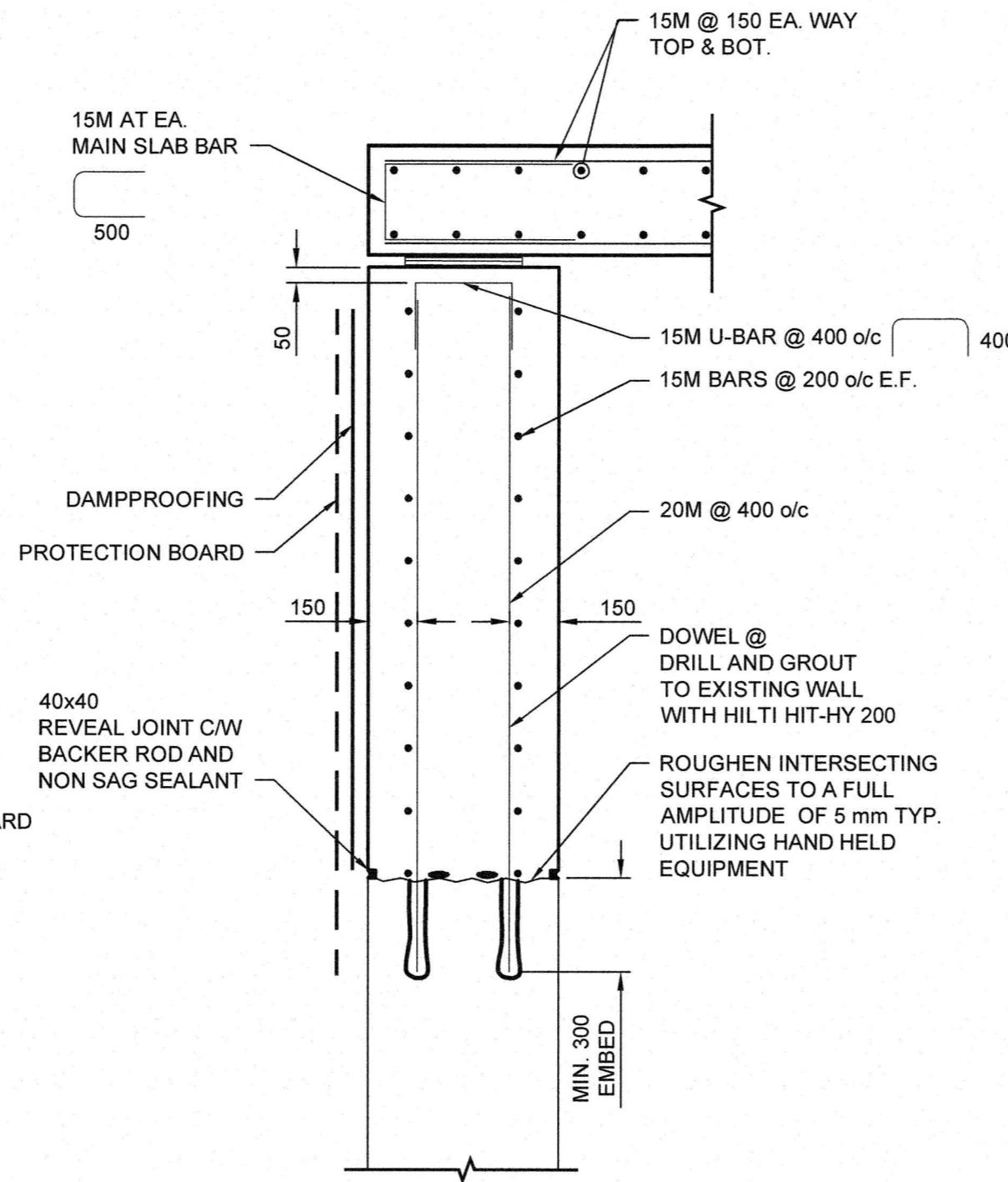


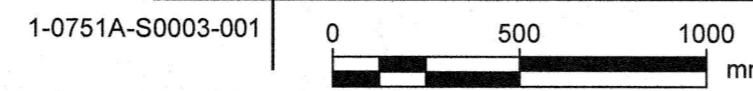
A FORMING & REINFORCING SECTION



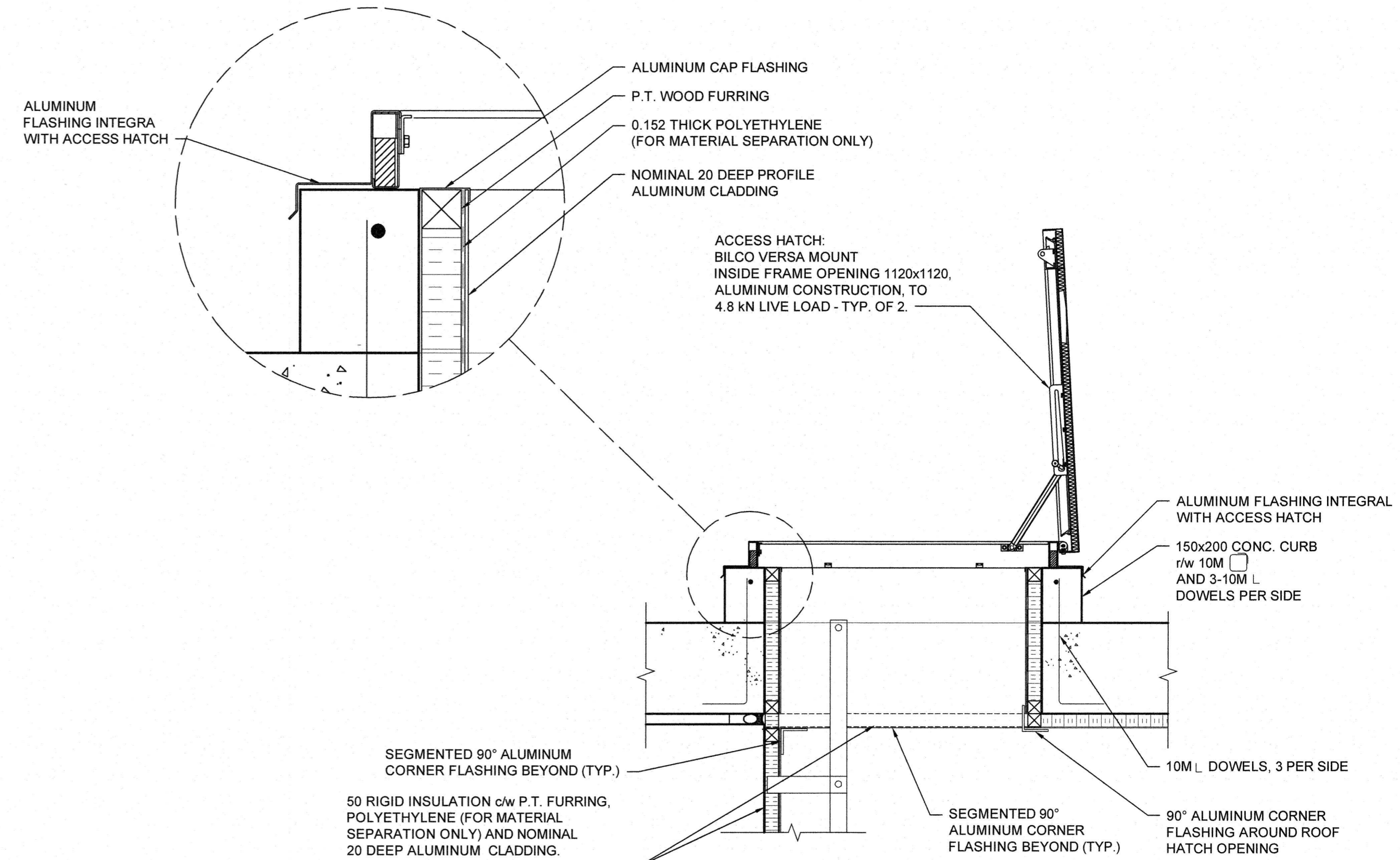
NOTE:
1. NOT ALL ITEMS SHOWN FOR CLARITY.



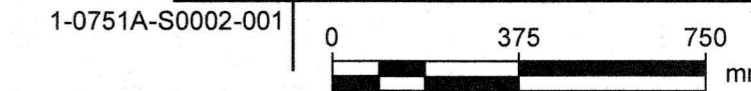
1 REINFORCING DETAIL



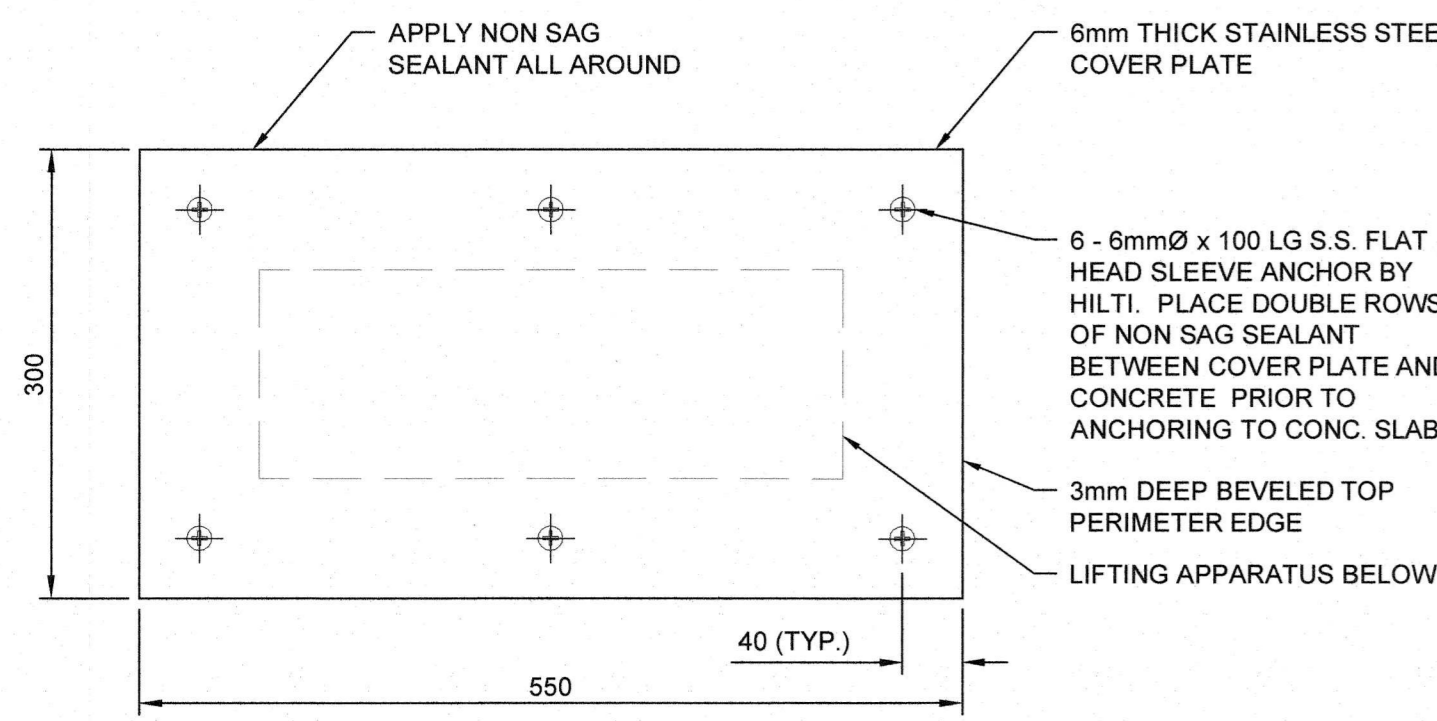
NOTE:
1. NOT ALL ITEMS SHOWN FOR CLARITY.



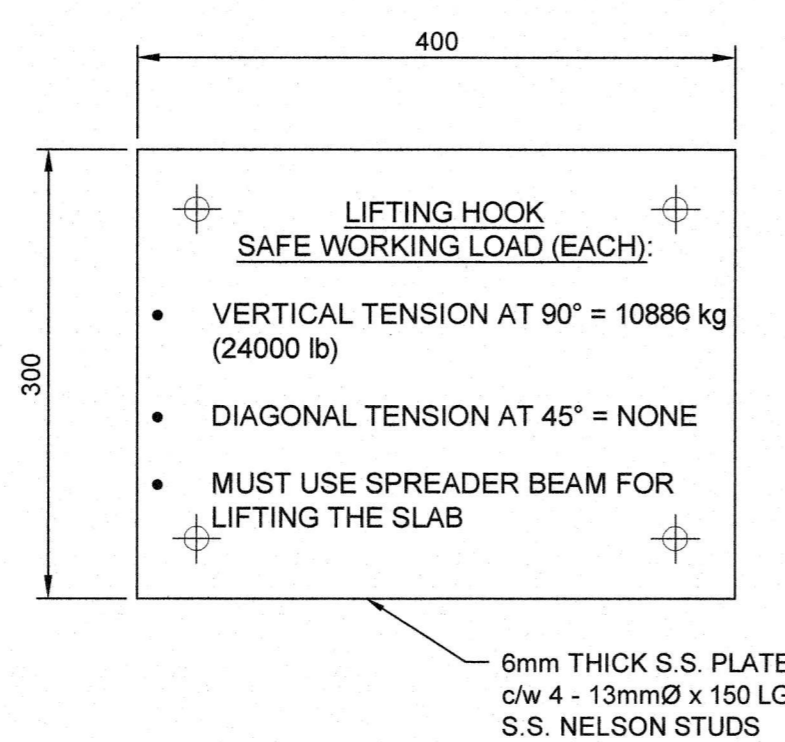
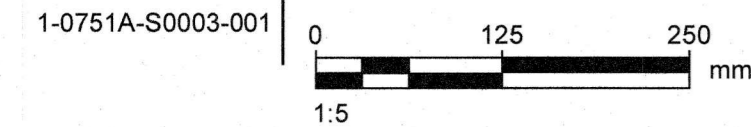
2 ROOF HATCH DETAIL



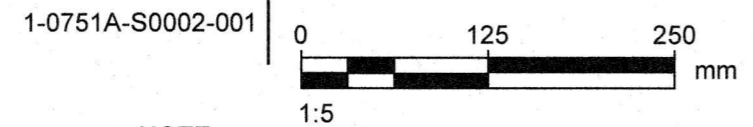
NOTE:
1. BILCO LADDER UP SAFETY POST NOT SHOWN FOR CLARITY.



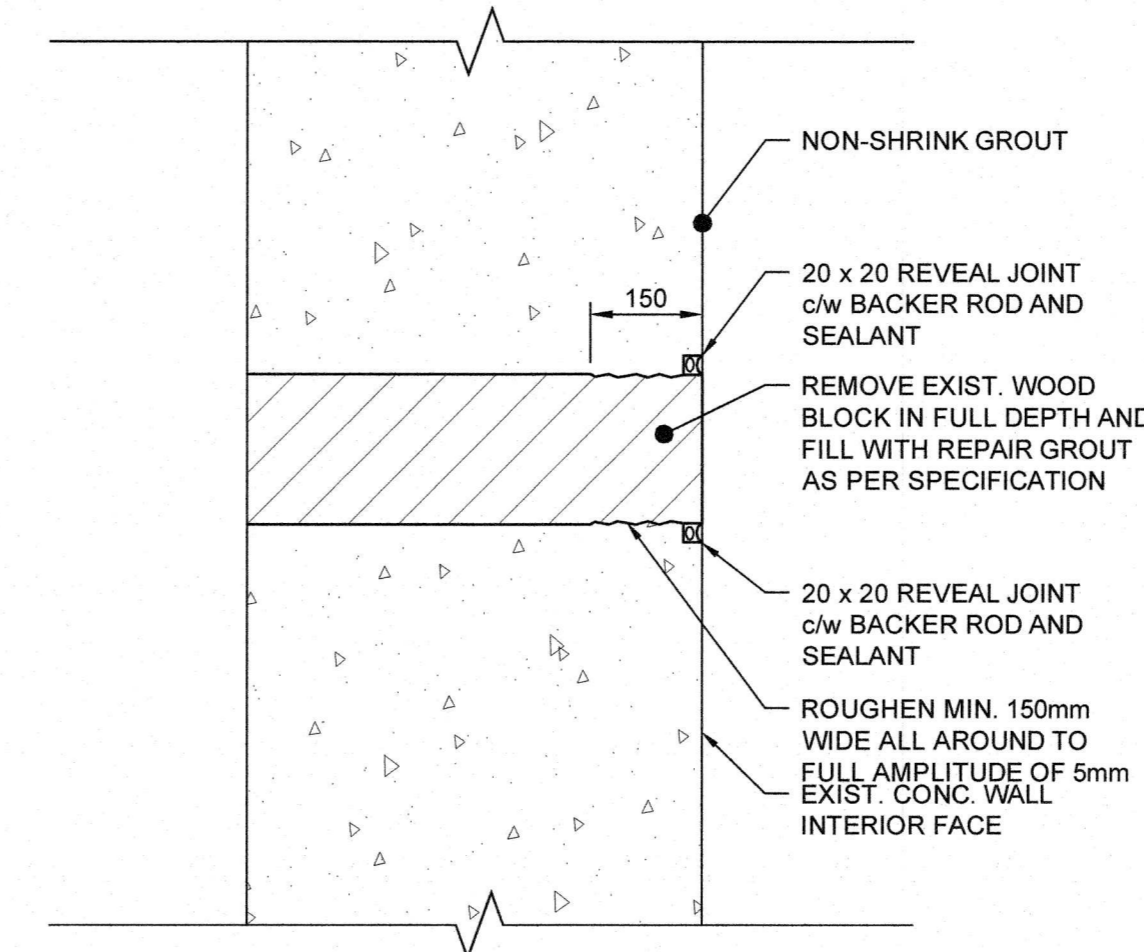
3 LIFTING APPARATUS COVER PLATE



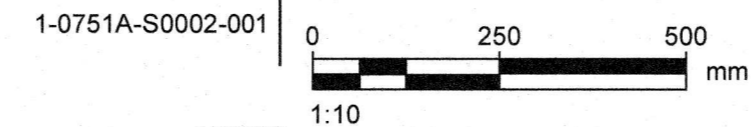
4 LIFTING APPARATUS SIGN PLATE



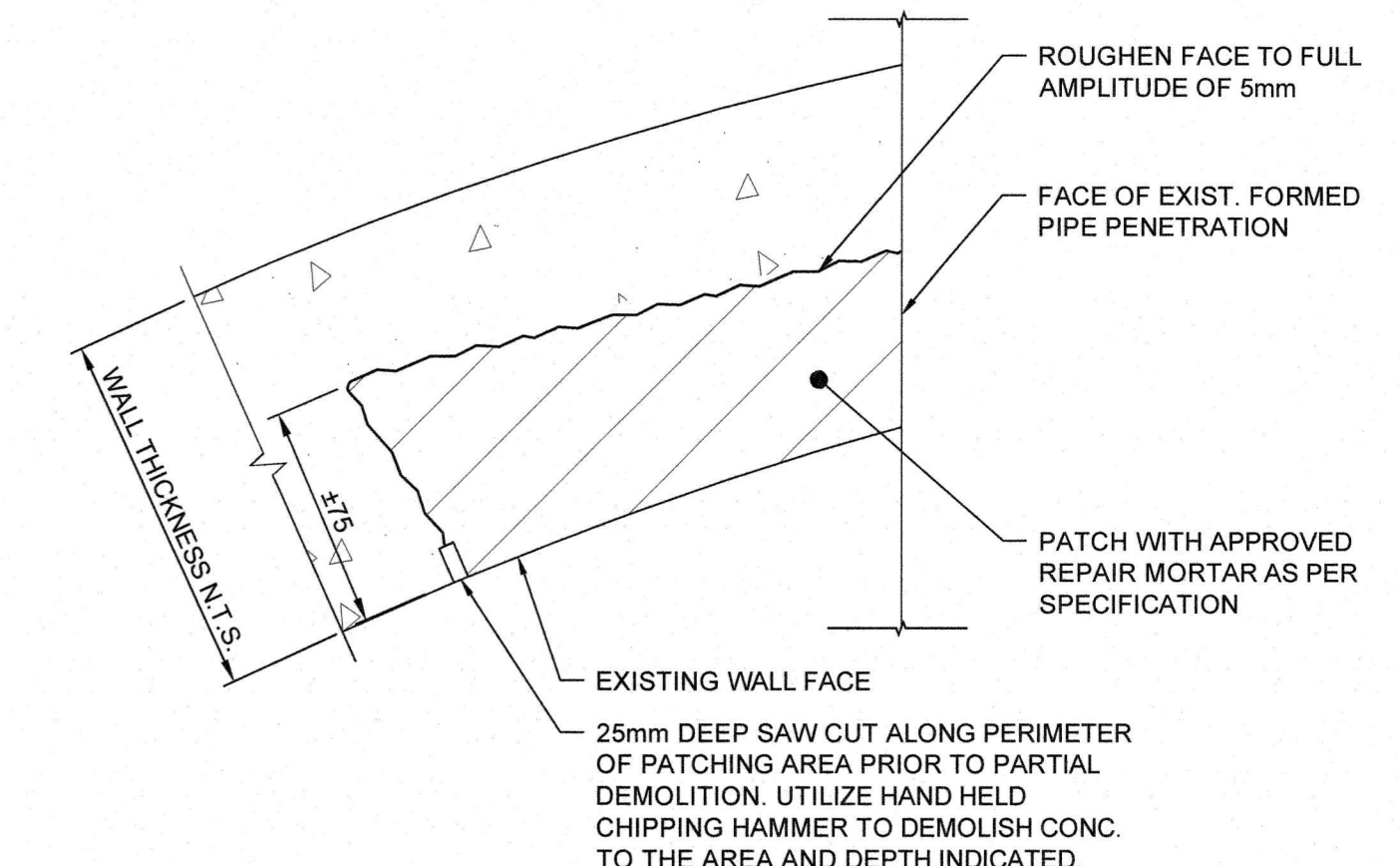
NOTE:
1. NOMINAL 3mm WIDE x 2mm DEEP ENGRAVED LETTERS c/w BLACK LETTER INFILL PAINT. FONT TYPE: ARIAL. MAXIMIZE FONT SIZE.



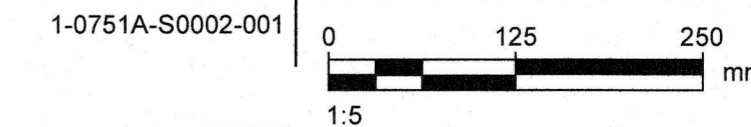
5 WOOD BLOCK PENETRATION REPAIR DETAIL



NOTES:
1. JUST PRIOR TO THE APPLICATION OF THE NON-SHRINK GROUT, ENSURE EXIST. CONC. WALL INTERIOR OPENING AND INTERIOR FACE FOR 1.0M AROUND THE PERIMETER OF THE OPENING IS IN A SATURATED SURFACE DRY STATE FOR A MINIMUM OF 24 HOURS.
2. WET CURE AREA UTILIZING LIQUID APPLIED CURE AND SEAL.



6 WALL SURFACE PATCHING REPAIR SECTION

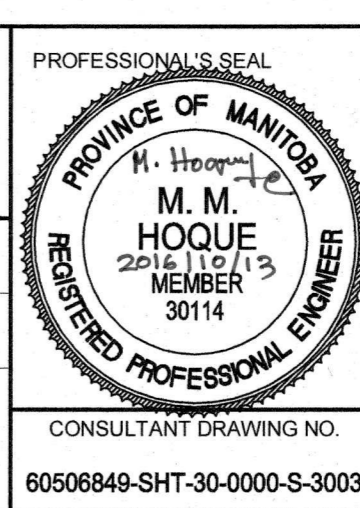


NOTES:
1. JUST PRIOR TO THE APPLICATION OF THE NON-SHRINK GROUT, ENSURE EXIST. CONC. WALL INTERIOR OPENING AND INTERIOR FACE FOR 1.0M AROUND THE PERIMETER OF THE OPENING IS IN A SATURATED SURFACE DRY STATE FOR A MINIMUM OF 24 HOURS.
2. SAW CUT SHALL BE MADE UTILIZING LONG RADIUS CUTS (90° CORNERS ARE NOT ACCEPTABLE).



LOCATION APPROVED		UNDERGROUND STRUCTURES	
SUPR. U/G STRUCTURES COMMITTEE	DATE		
NOTE: LOCATION OF UNDERGROUND STRUCTURES AS SHOWN ARE BASED ON THE BEST INFORMATION AVAILABLE. BUT NO GUARANTEE IS GIVEN THAT ALL EXISTING UTILITIES ARE SHOWN OR THAT THE GIVEN LOCATIONS ARE EXACT. CONFIRMATION OF EXISTENCE AND EXACT LOCATION OF ALL SERVICES MUST BE OBTAINED FROM THE INDIVIDUAL UTILITIES BEFORE PROCEEDING WITH CONSTRUCTION.			
0	ISSUED FOR CONSTRUCTION	16/10/13	DRL
NO.	REVISIONS	YYMMDD	BY

AECOM	
DESIGNED BY: ARA	CHECKED BY: GGP
DRAWN BY: DRL	APPROVED BY: [Signature]
HOR. SCALE: AS NOTED	RELEASED FOR CONSTRUCTION: [Signature]
VERT. SCALE: N/A	DATE: Oct 13/2016



THE CITY OF WINNIPEG WATER AND WASTE DEPARTMENT

BRANCH I AQUEDUCT
EAST TUNNEL SHAFT UPGRADES

STRUCTURAL FORMING & REINFORCING SECTION & DETAILS

SHEET 7 OF 8
CITY DRAWING NUMBER
1-0751A-S0003-001 0