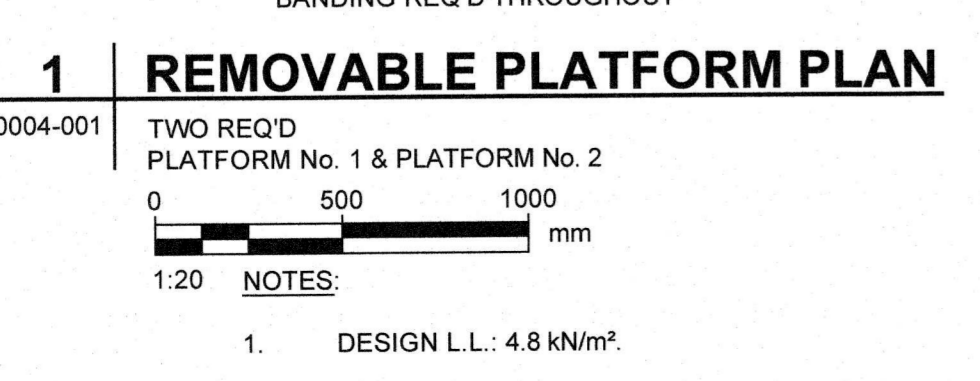
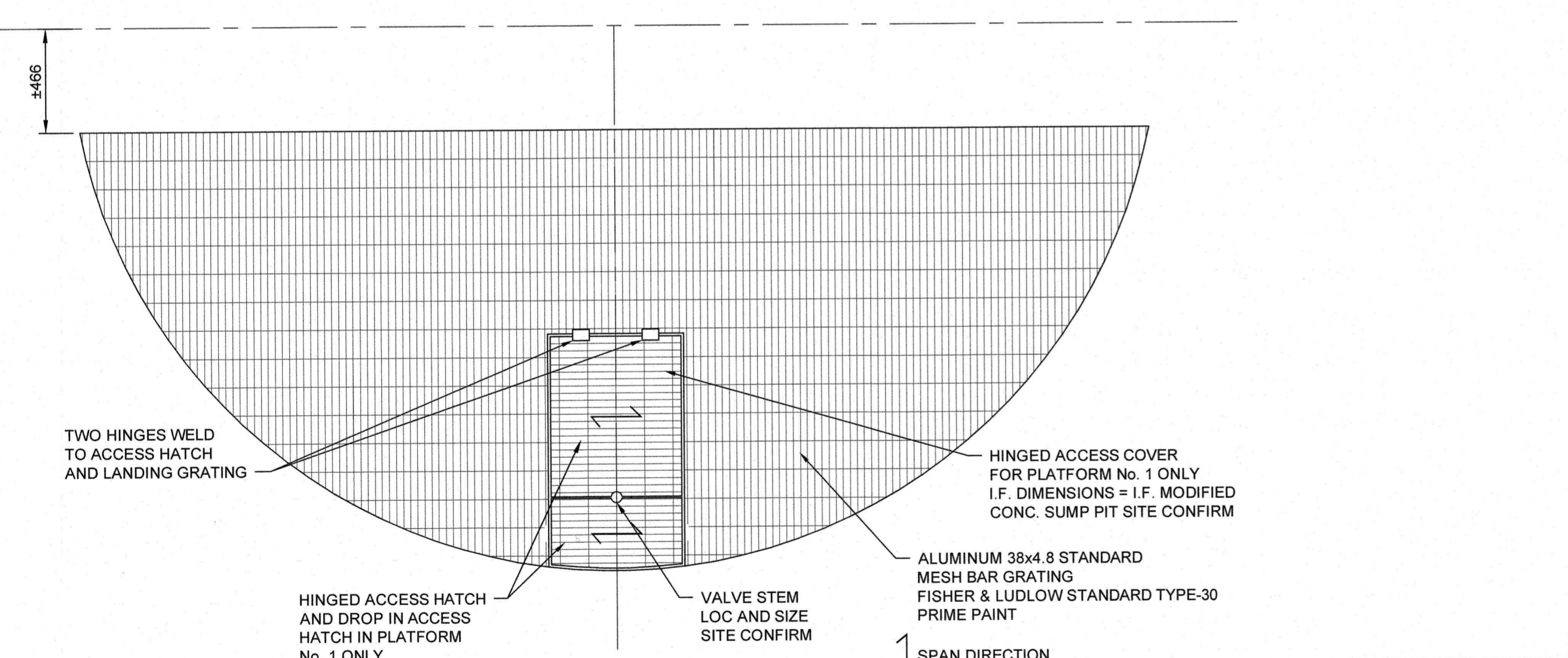
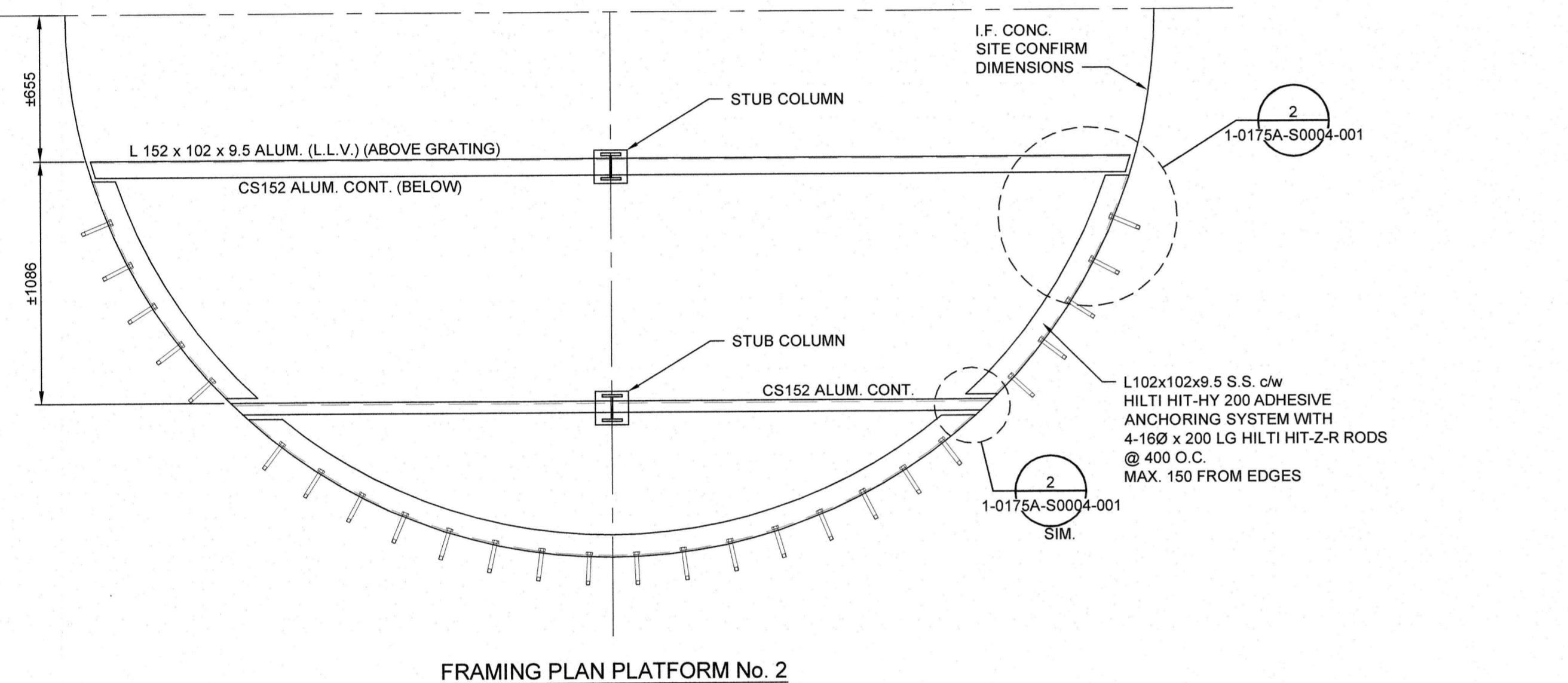
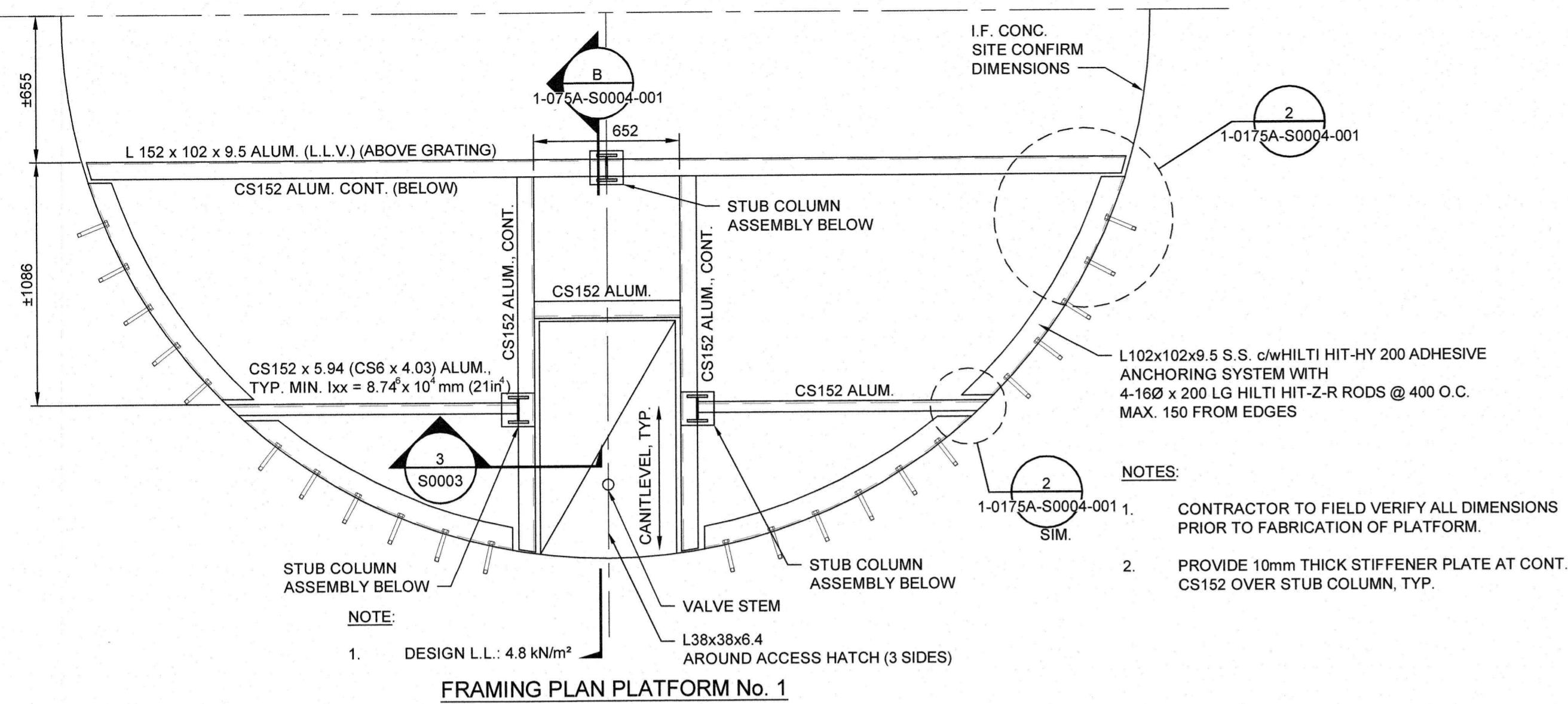


D SIZE 22" x 34" (559mm x 864mm)

PLOT: 16/10/13 10:00:08 AM

AECOM REVIEW DRFT CHK AECOM FILE NAME: 60506849-SHT-30-0000-S-3004.dwg Saved By: landersd



LOCATION APPROVED
UNDERGROUND STRUCTURES

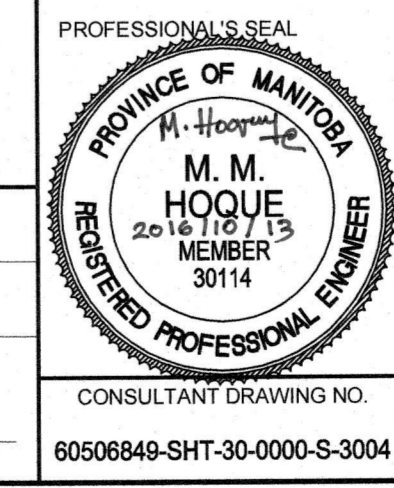
SUPR. U/G STRUCTURES DATE COMMITTEE

NOTE:
LOCATION OF UNDERGROUND STRUCTURES AS SHOWN ARE BASED ON THE BEST INFORMATION AVAILABLE. BUT NO GUARANTEE IS GIVEN THAT ALL EXISTING UTILITIES ARE SHOWN OR THAT THE GIVEN LOCATIONS ARE EXACT. CONFIRMATION OF EXISTENCE AND EXACT LOCATION OF ALL SERVICES MUST BE OBTAINED FROM THE INDIVIDUAL UTILITIES BEFORE PROCEEDING WITH CONSTRUCTION.

NO.	REVISIONS	YYMMDD	BY
0	ISSUED FOR CONSTRUCTION	16/10/13	DRL

AECOM

DESIGNED BY: ARA
CHECKED BY: GGP
DRAWN BY: DRL
APPROVED BY: [Signature]
HOR. SCALE: AS NOTED
VERT. SCALE: N/A
RELEASED FOR CONSTRUCTION: [Signature]
DATE: Oct 13/2016



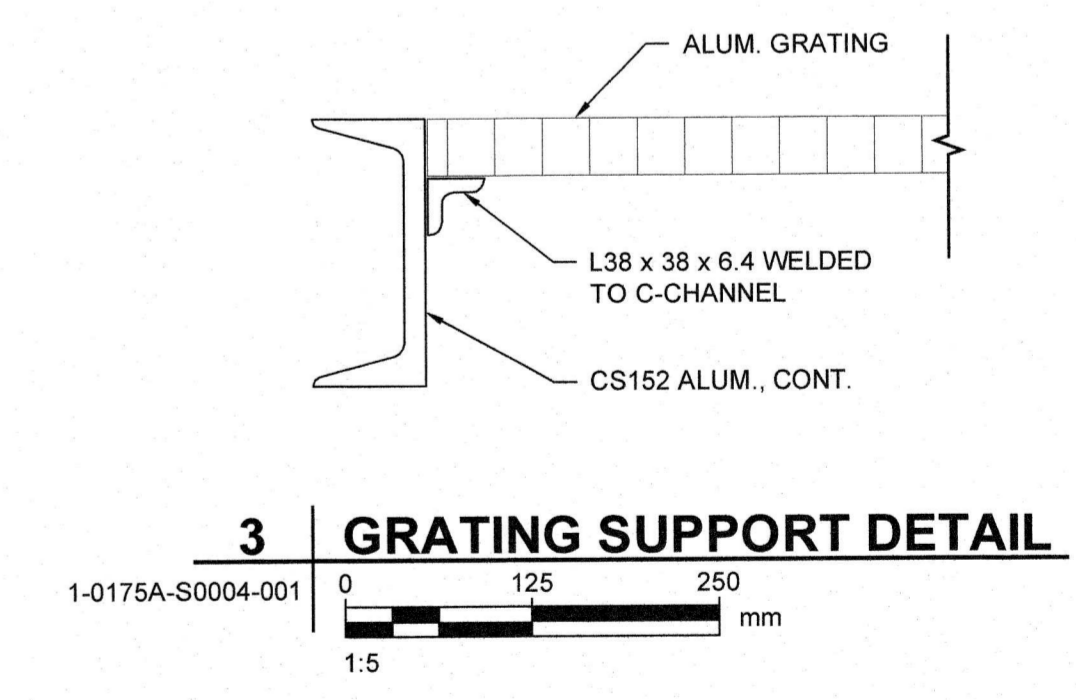
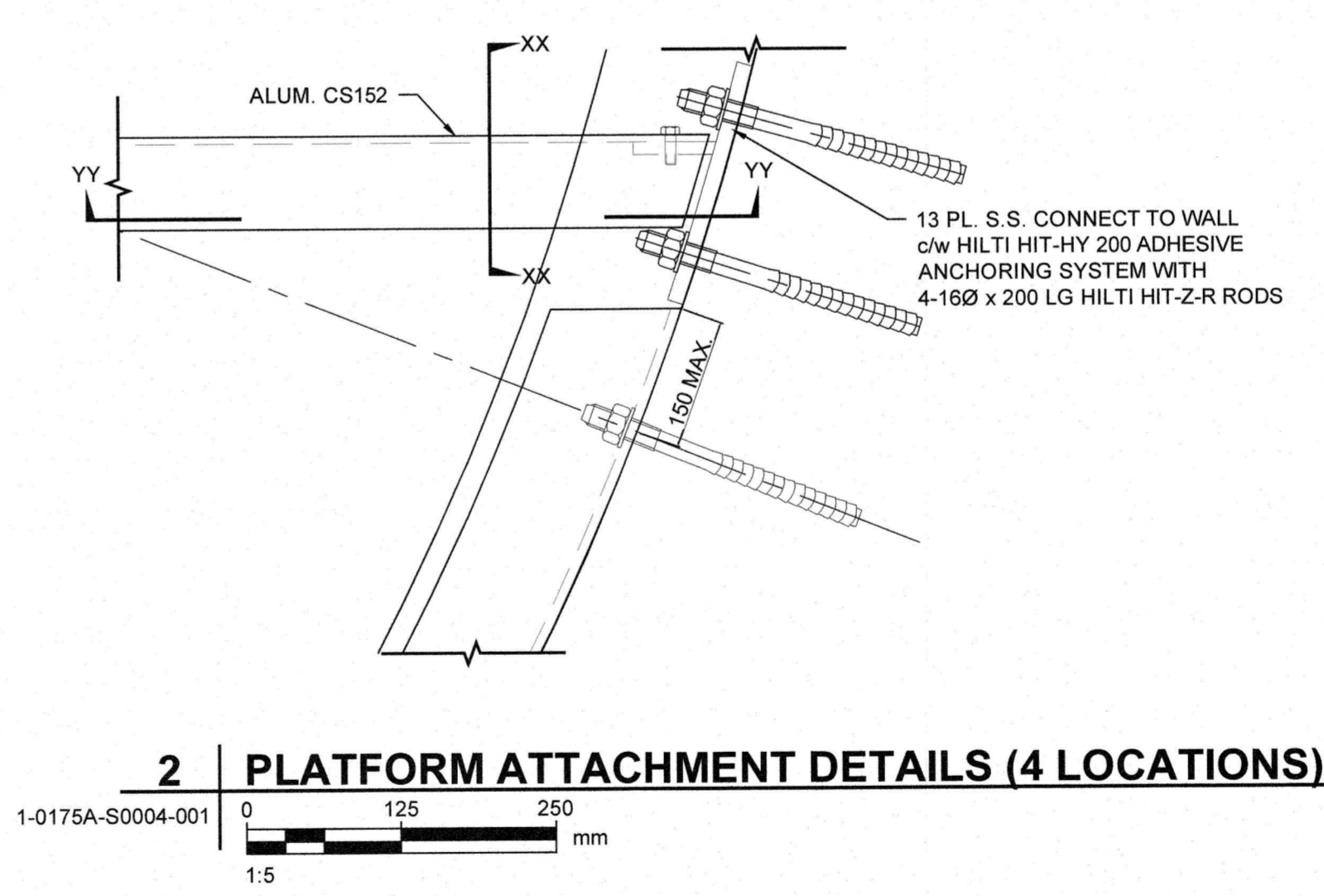
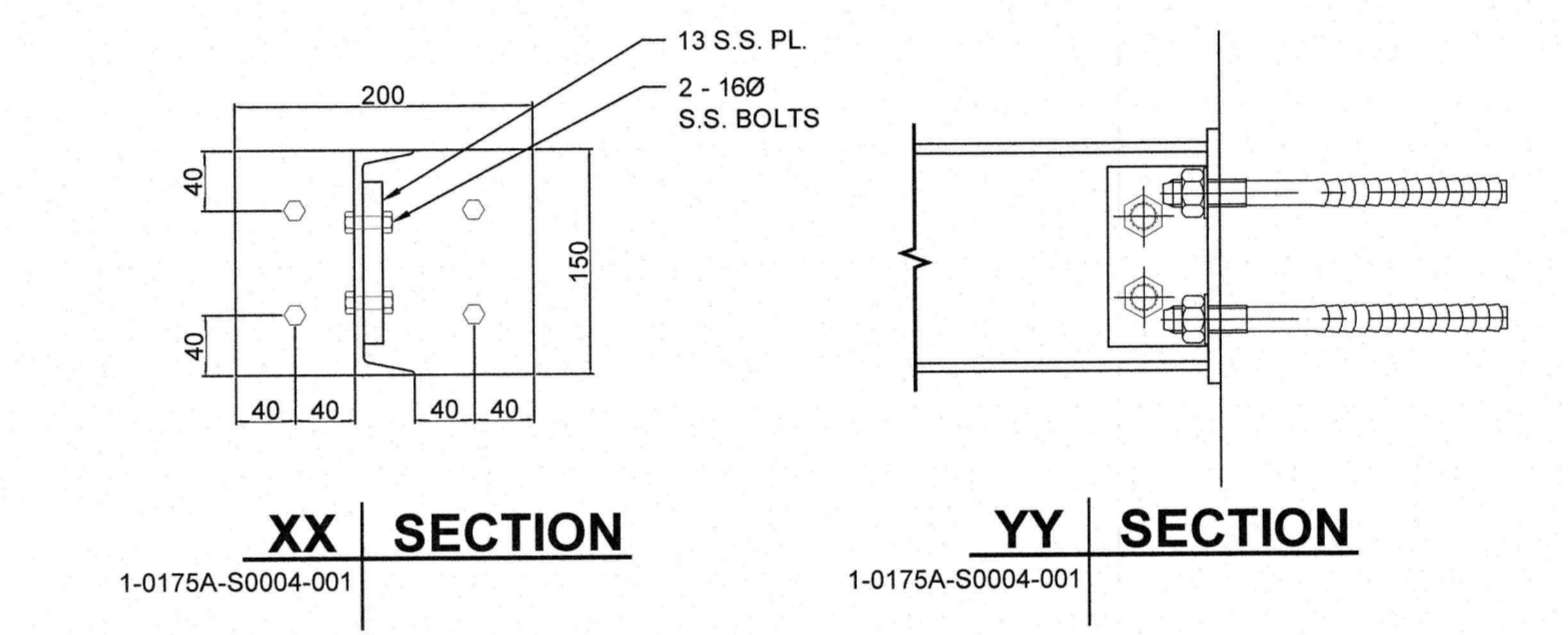
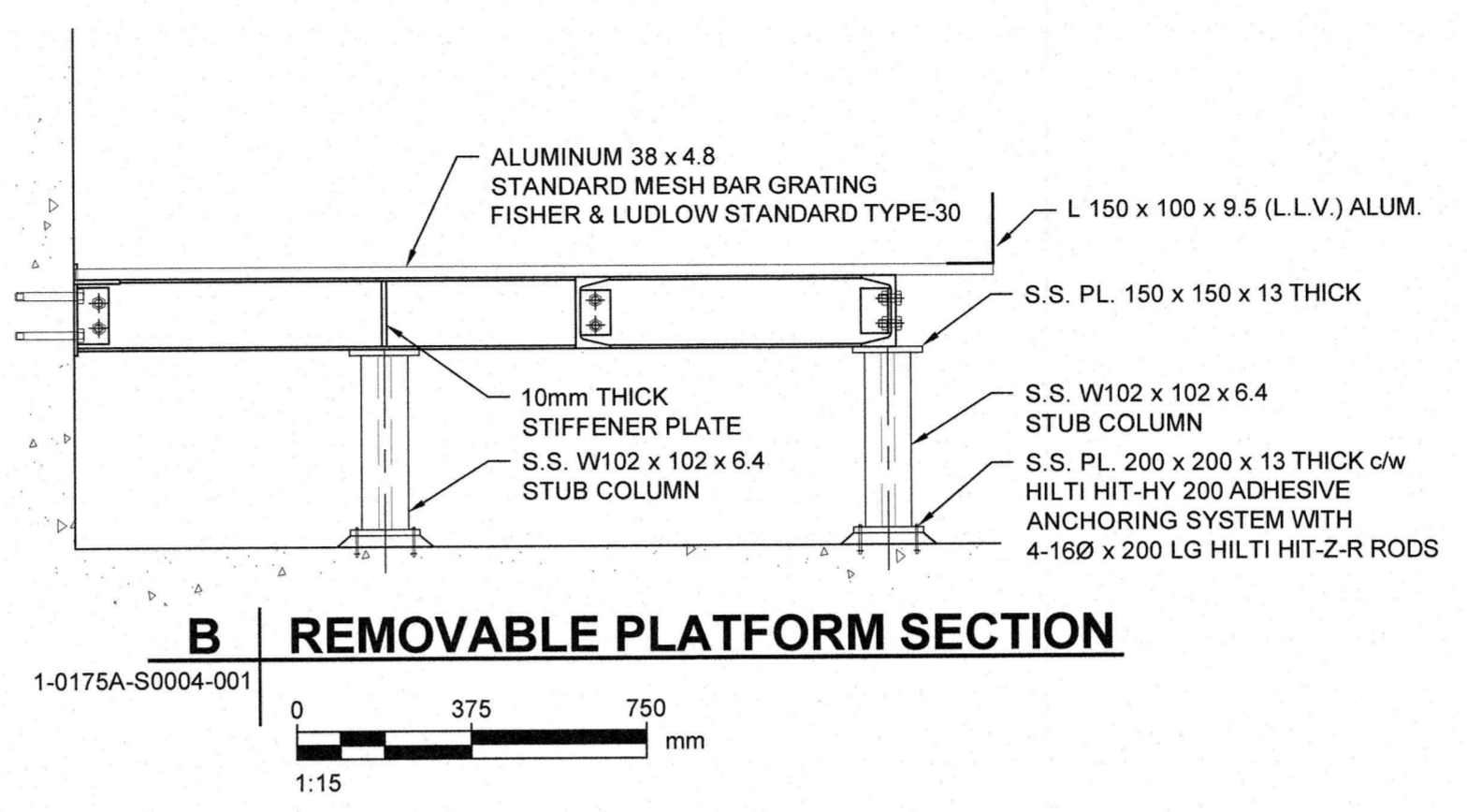
THE CITY OF WINNIPEG
WATER AND WASTE DEPARTMENT

BRANCH I AQUEDUCT
EAST TUNNEL SHAFT UPGRADES

STRUCTURAL
REMOVABLE PLATFORM
PLAN & DETAILS

SHEET 8 OF 8
CITY DRAWING NUMBER
1-0175A-S0004-001 0

CONSULTANT DRAWING NO. 60506849-SHT-30-0000-S-3004



BID OPPORTUNITY NO. 805-2016