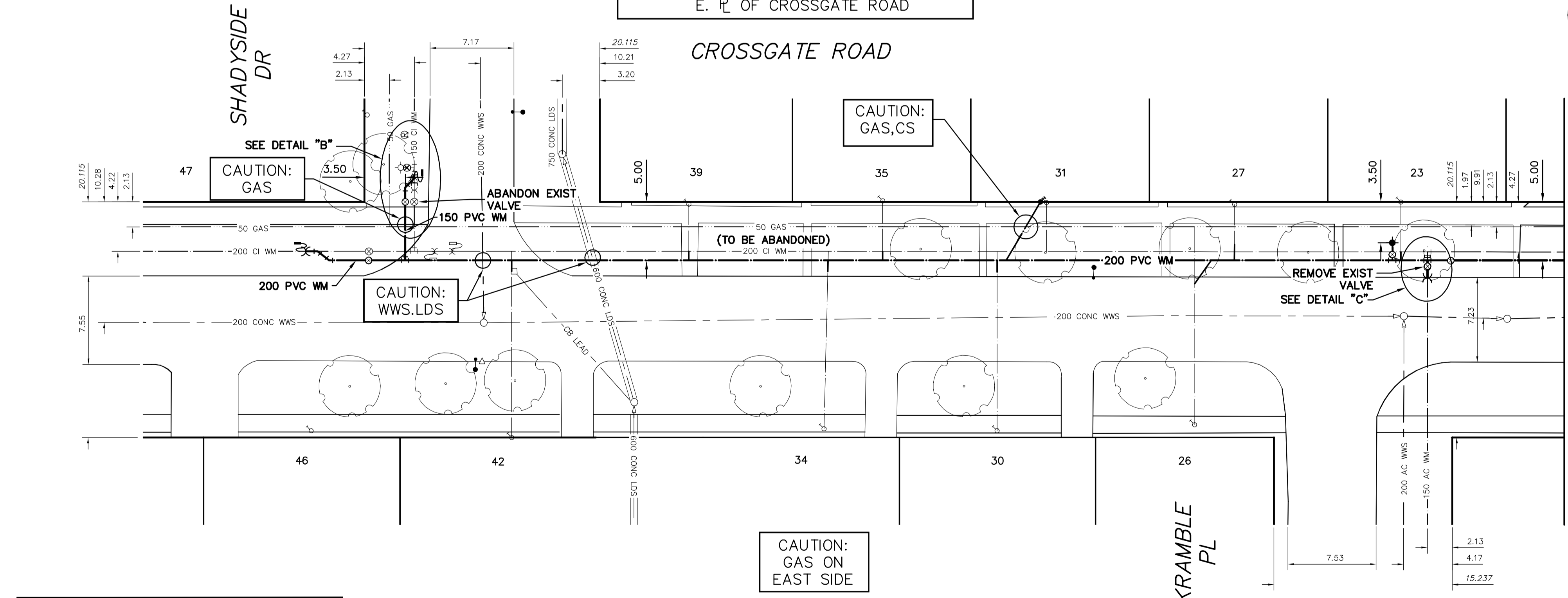


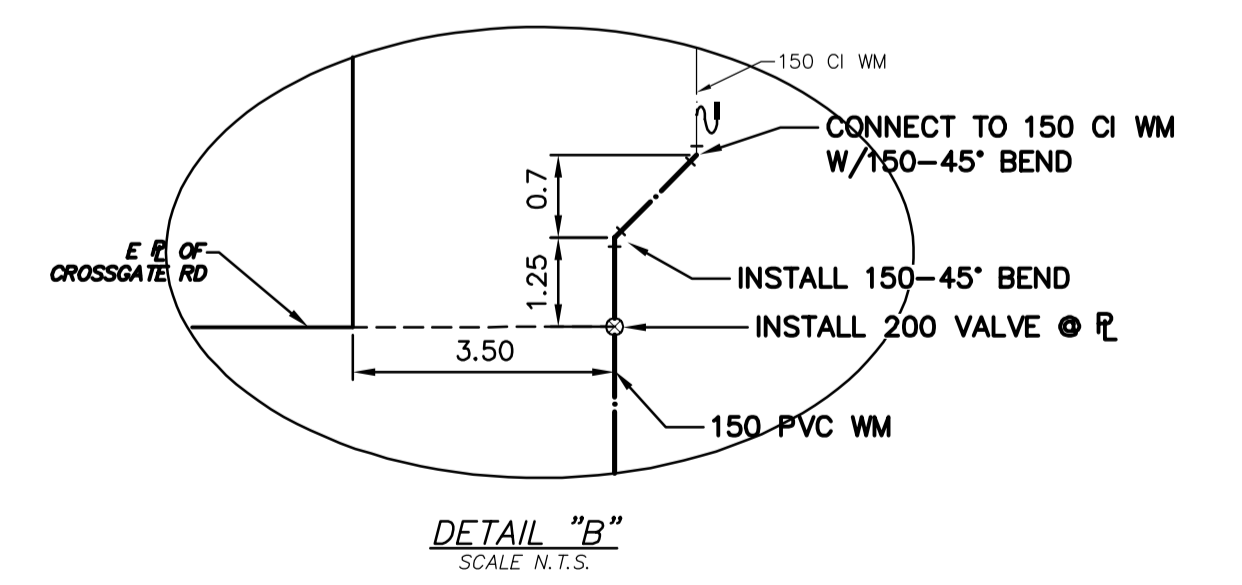
NOTE: CHAINAGES SHOWN ARE ALONG E. R. OF CROSSGATE ROAD



WATER SERVICE INFORMATION

ADDRESS	SIZE (mm)	SIZE (mm)	SHORT & LONG MEASUREMENT	CORP. LOCATION	REMARKS
(STREET)	(MATERIAL)	(PROP.)			
47 CROSSGATE RD RESIDENTIAL	-	CU	2.08 NSL HSE	-	OUTSIDE LIMITS
46 CROSSGATE RD RESIDENTIAL	-	CU	7.424 EEL CROSSGATE RD	-	OUTSIDE LIMITS
42 CROSSGATE RD RESIDENTIAL	-	CU	5.37 NSL HSE	-	RECONNECT SERVICE
39 CROSSGATE RD RESIDENTIAL	-	CU	24.638 NSL SHADYSIDE DR	-	RECONNECT SERVICE
35 CROSSGATE RD RESIDENTIAL	-	CU	3.45 NSL HSE	-	RECONNECT SERVICE
34 CROSSGATE RD RESIDENTIAL	-	CU	12.637 NSL SHADYSIDE DR	-	RECONNECT SERVICE
31 CROSSGATE RD RESIDENTIAL	-	CU	7.30 NSL HSE	-	RECONNECT SERVICE
30 CROSSGATE RD RESIDENTIAL	-	CU	27.742 NSL SHADYSIDE DR	-	RECONNECT SERVICE
27 CROSSGATE RD RESIDENTIAL	-	CU	5.51 NSL HSE	-	RECONNECT SERVICE
26 CROSSGATE RD RESIDENTIAL	-	CU	24.185 SSL SHADYSIDE DR	-	RECONNECT SERVICE
23 CROSSGATE RD RESIDENTIAL	-	CU	2.73 NSL HSE	-	RECONNECT SERVICE
23 CROSSGATE RD RESIDENTIAL	-	CU	19.200 SSL SHADYSIDE DR	-	RECONNECT SERVICE
23 CROSSGATE RD RESIDENTIAL	-	CU	5.11 NSL HSE	-	RENEW TO R W/20 CU DUE TO TREE
23 CROSSGATE RD RESIDENTIAL	-	CU	38.186 SSL SHADYSIDE DR	-	RECONNECT SERVICE
23 CROSSGATE RD RESIDENTIAL	-	CU	5.01 NSL HSE	-	RECONNECT SERVICE
23 CROSSGATE RD RESIDENTIAL	-	CU	38.998 SSL SHADYSIDE DR	-	RECONNECT SERVICE
23 CROSSGATE RD RESIDENTIAL	-	CU	5.65 NSL HSE	-	RECONNECT SERVICE
23 CROSSGATE RD RESIDENTIAL	-	CU	54.264 SSL SHADYSIDE DR	-	RECONNECT SERVICE
23 CROSSGATE RD RESIDENTIAL	-	CU	4.59 NSL HSE	-	RECONNECT SERVICE
23 CROSSGATE RD RESIDENTIAL	-	CU	50.874 SSL SHADYSIDE DR	-	RECONNECT SERVICE
23 CROSSGATE RD RESIDENTIAL	-	CU	4.93 NSL HSE	-	RECONNECT SERVICE
23 CROSSGATE RD RESIDENTIAL	-	CU	68.469 SSL SHADYSIDE DR	-	RECONNECT SERVICE

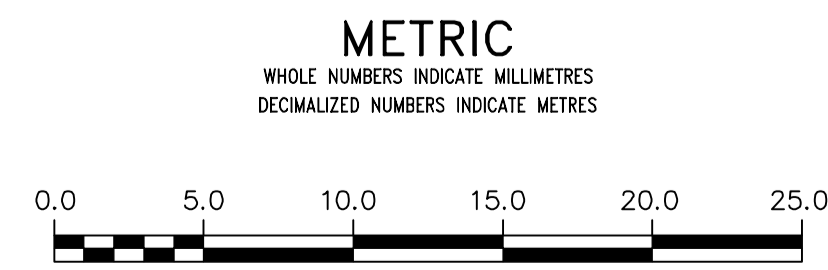
* SERVICES TO BE RENEWED TO R. ALL OTHERS TO BE RECONNECTED



FOR INDEX SEE D-14412

NOTE: ALL VALVES TO BE INSTALLED CLOCKWISE TO CLOSE

ALL CORP CONNECTIONS MAY NOT BE REPRESENTATIVE OF ACTUAL LOCATION



WARNING		LOCATION APPROVED UNDERGROUND STRUCTURES		B.M. ELEV.		ENGINEER'S SEAL	
IF POWER EQUIPMENT OR EXPLOSIVES ARE TO BE USED FOR EXCAVATION ON THIS PROJECT THE CONTRACTOR MUST:		SUPV. U/G STRUCTURES COMMITTEE		DATE		ORIGINAL SIGNED BY S.J.R. COUNROYER 16/10/31	
1) NOTIFY THE GAS COMPANY OF THE PROPOSED LOCATION OF EXCAVATION.		NOTE:		DESIGNED BY ML		CHECKED BY SC	
2) TAKE PRECAUTION TO AVOID DAMAGE TO GAS COMPANY INSTALLATIONS.		LOCATION OF UNDERGROUND STRUCTURES AS SHOWN ARE BASED ON THE BEST INFORMATION AVAILABLE BUT NO GUARANTEE IS GIVEN THAT ALL EXISTING UTILITIES ARE SHOWN OR THAT THE GIVEN LOCATIONS ARE EXACT. CONFIRMATION OF EXISTENCE AND EXACT LOCATION OF ALL SERVICES MUST BE OBTAINED FROM THE INDIVIDUAL UTILITIES BEFORE PROCEEDING WITH CONSTRUCTION.		DRAWN BY RS		APPROVED BY KZ	
SEE PROVINCIAL REGULATION 210/72 FOR DETAILS		NO.		SCALE: HORIZONTAL 1:250 VERTICAL 1:50		RELEASED FOR CONSTRUCTION	
		REVISIONS		DATE 2016 11 01		DATE 2016 10 31	
				PLOT DATE: 2016 11 01		KAS ZUREK	

THE CITY OF WINNIPEG
 WATER AND WASTE DEPARTMENT
 ENGINEERING DIVISION

2016 WATER MAIN RENEWALS
 CONTRACT 13
CROSSGATE ROAD
 SHADYSIDE DRIVE (N LEG) TO
 82 S SHADYSIDE DRIVE (N LEG)

SHEET 4 OF 15
 CITY DRAWING NUMBER
D-14415