

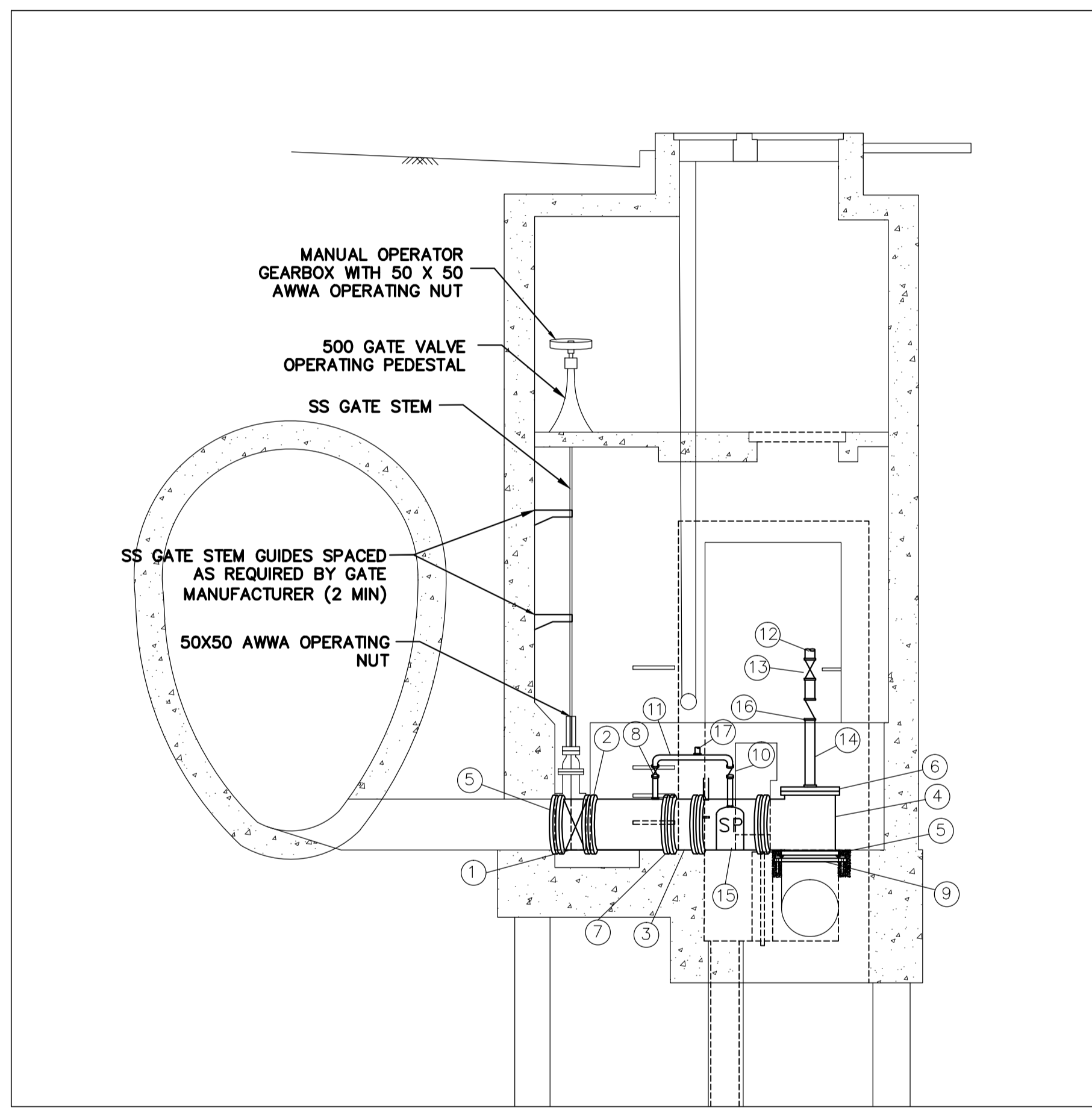
WEIR CHANNEL COVER TO BE CHECKERED STAINLESS STEEL, MECHANICALLY SEALED, AIRTIGHT WITH SS BOLTS AND RUBBER GASKET APPROVED FOR USE WITH SEWAGE. SS COVER MUST HOLD 250 LBS LIVE LOAD.

WEIR CHANNEL COVER DETAIL (TYPICAL) NTS

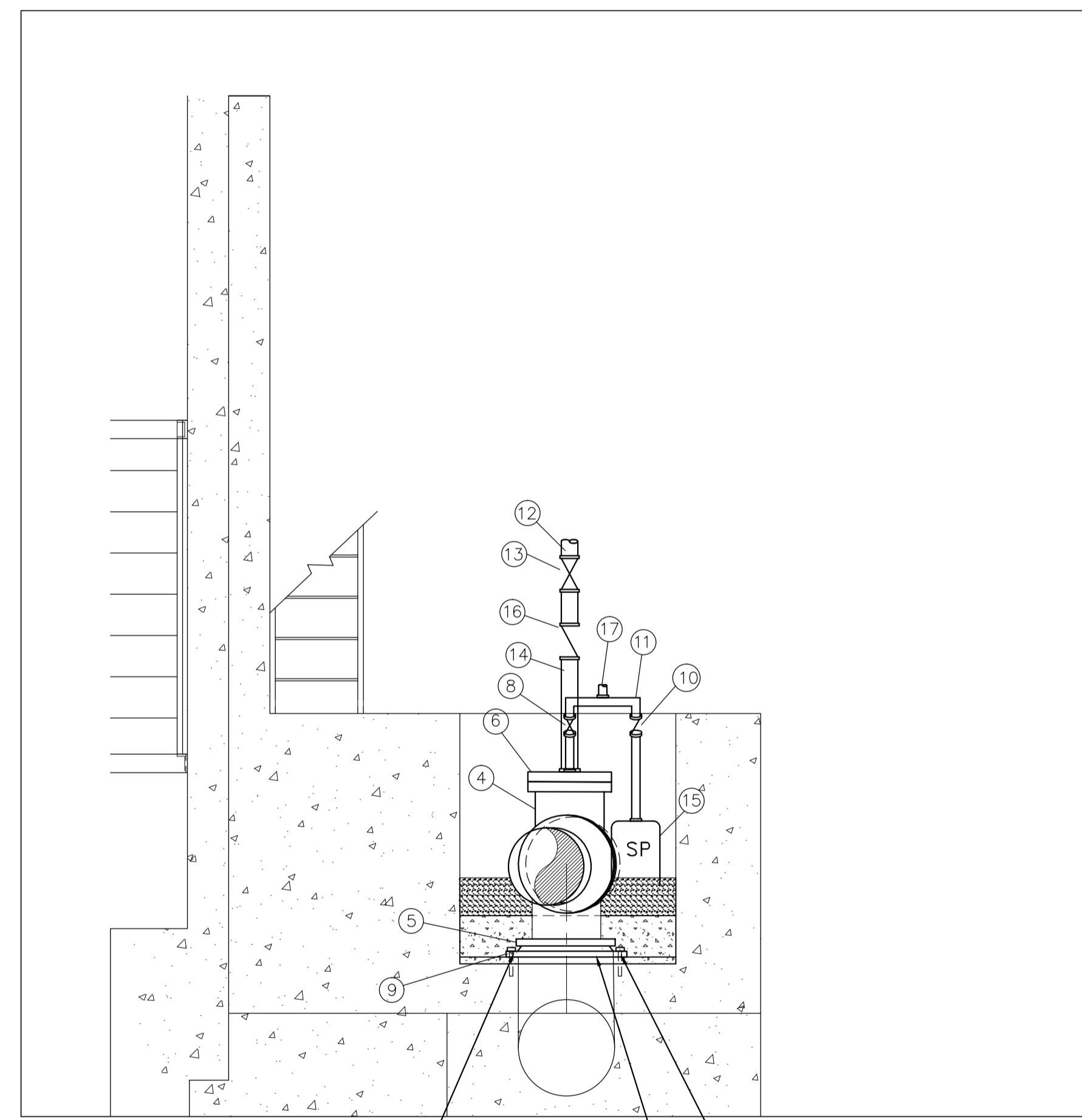
MATERIALS LIST

| ITEM | DESCRIPTION | ENDS | LENGTH | QUANTITY |
|------|---------------------------------------------------------|-------|--------|----------|
| ① | * 500# NON RISING STEM GATE VALVES W/PEDESTAL OPERATORS | FL | 3462± | 1 |
| ② | 500# PIPE | FL+PE | 786± | 1 |
| ③ | 500# CAST IRON 22" BEND | FL | - | 1 |
| ④ | 500# CAST IRON TEE | FL | - | 1 |
| ⑤ | 500# DI FLANGED WALL THIMBLE | - | - | 2 |
| ⑥ | 500# DI BLIND FLANGE | - | - | 2 |
| ⑦ | 500# UNI-FLANGE | - | - | 1 |
| ⑧ | 38# CHECK VALVE | - | - | 1 |
| ⑨ | 500#-675# REDUCER | - | - | 1 |
| ⑩ | 38# GATE VALVE | - | - | 1 |
| ⑪ | 38# ABS PIPE | - | - | 1 |
| ⑫ | 75# ONE WAY AIR VALVE | - | - | 1 |
| ⑬ | 75# CHECK VALVE | - | - | 1 |
| ⑭ | 75# TYPE 316 SS PIPE | - | - | 1 |
| ⑮ | 110V, MIN 1/3 HP, SLUMP PUMP W/FLOAT SWITCH | - | - | 1 |
| ⑯ | 75# GATE VALVE | - | - | 1 |
| ⑰ | 38# ONE-WAY AIR VALVE | - | - | 1 |

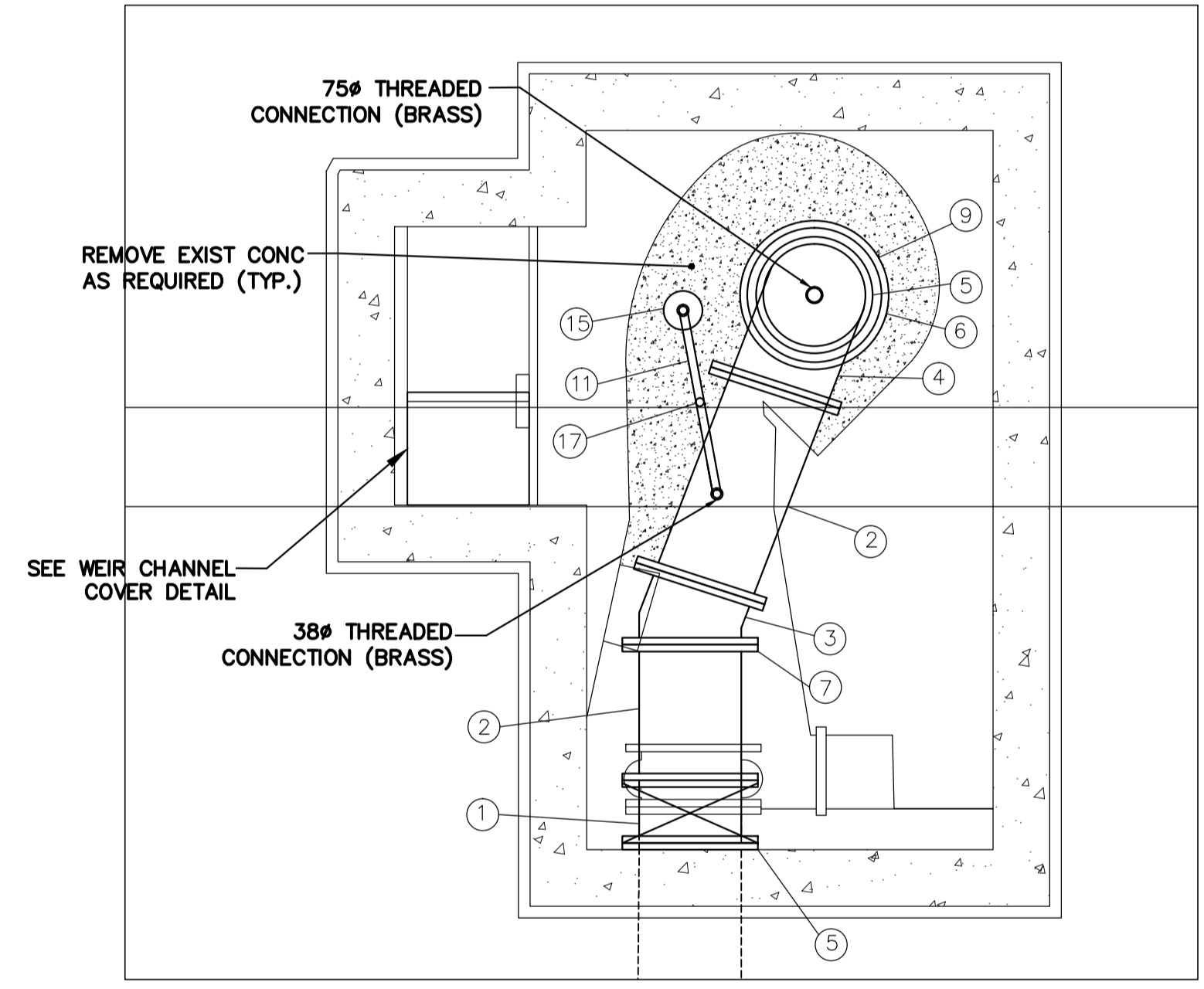
NOTE: LENGTHS & DIMENSIONS SHOWN AS ± TO BE FIELD CONFIRMED BY CONTRACTOR
 * ITEMS SUPPLIED BY CITY
 - CONTRACTOR TO SUPPLY CABLES & CONDUIT FROM SLUMP PUMPS TO ELECTRICAL OUTLETS IN COMMUNOTOR ROOM
 - VALVE PEDESTAL OPERATORS TO HAVE POSITION INDICATORS.



SIDE VIEW NTS



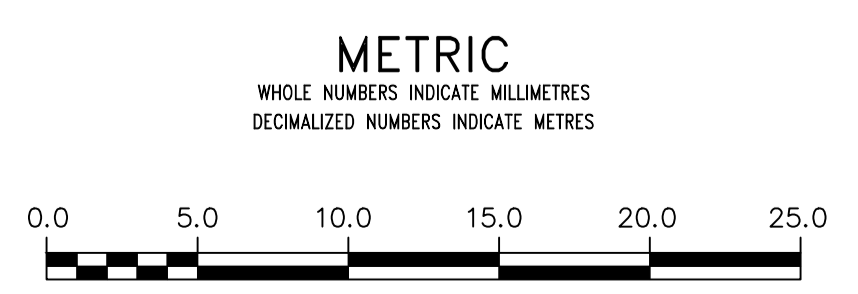
FRONT VIEW NTS



TOP VIEW NTS

CONSTRUCTION NOTES:

- ALLOWABLE SHUTDOWN TIME: MAX. >24 HRS OR AS DETERMINED BY COLLECTIONS STAFF
- CRITICAL BASEMENT ELEVATION: 224.761
- REMOVE EXISTING CONCRETE PIPING, VALVES, FITTINGS, AND OTHER MATERIALS AS REQUIRED. INSTALL NEW PUMPS, MOTORS, PIPING, VALVES AND FITTINGS AS SHOWN.
- PROVIDE TEMPORARY BY-PASS PUMPING OF WASTEWATER DURING CONSTRUCTION.
- INSTALL MECHANICAL WORKS AS INDICATED AND ACCORDING TO MANUFACTURER'S SPECIFICATIONS.
- EXCAVATIONS TO BE BACKFILLED WITH CLASS 3 OR CLASS 5 BACKFILL IN ACCORDANCE WITH CW 2030 AND SD-002.
- FLANGE NUTS & BOLTS TO BE ASTM A307.
- GASKETS TO BE FULL FACED, 3 THICK RED RUBBER.
- CONTRACTOR TO CONFIRM ALL DIMENSIONS BEFORE ASSEMBLING PIPE.
- ALL ANCHOR BOLTS TO BE ASTM A276 TYPE 316 SS.



| | | | |
|----------------------------------------------------------------------------------------------------------------------------------------------------------------------------------------------------------------------------------------------------------------------------------------------------------------------------------------------------------|-----------|------------|----|
| LOCATION APPROVED UNDERGROUND STRUCTURES | | B.M. ELEV. | |
| SUPV. U/G STRUCTURES COMMITTEE | DATE | | |
| NOTE: LOCATION OF UNDERGROUND STRUCTURES AS SHOWN ARE BASED ON THE BEST INFORMATION AVAILABLE BUT NO GUARANTEE IS GIVEN THAT ALL EXISTING UTILITIES ARE SHOWN OR THAT THE GIVEN LOCATIONS ARE EXACT. CONFIRMATION OF EXISTENCE AND EXACT LOCATION OF ALL SERVICES MUST BE OBTAINED FROM THE INDIVIDUAL UTILITIES BEFORE PROCEEDING WITH CONSTRUCTION. | | | |
| NO. | REVISIONS | DATE | BY |

| | | | |
|-------------|------------|---------------------------|----|
| DESIGNED BY | NC | CHECKED BY | NC |
| DRAWN BY | RS | APPROVED BY | NC |
| SCALE: | | RELEASED FOR CONSTRUCTION | |
| HORIZONTAL | NTS | | |
| VERTICAL | NTS | | |
| DATE | 2016 09 21 | DATE | |

ENGINEER'S SEAL
 ORIGINAL SIGNED BY N.M. CONTI
 16/09/21
 CONSULTANT DRAWING NUMBER

THE CITY OF WINNIPEG
 WATER AND WASTE DEPARTMENT
 ENGINEERING DIVISION

2016 COMMUNOTOR CHAMBER PIPING & VALVE UPGRADES
 JEFFERSON DIVERSION CHAMBER
 JEFFERSON AVENUE @ SCOTIA STREET

SHEET 5 OF 11
 CITY DRAWING NUMBER
 1-0148A-M0001-001