

WEIR CHANNEL COVER TO BE CHECKERED STAINLESS STEEL, MECHANICALLY SEALED, AIRTIGHT WITH SS BOLTS AND RUBBER GASKET APPROVED FOR USE WITH SEWAGE. SS COVER MUST HOLD 250 LBS LIVE LOAD.

WEIR CHANNEL COVER DETAIL
(TYPICAL)
NTS

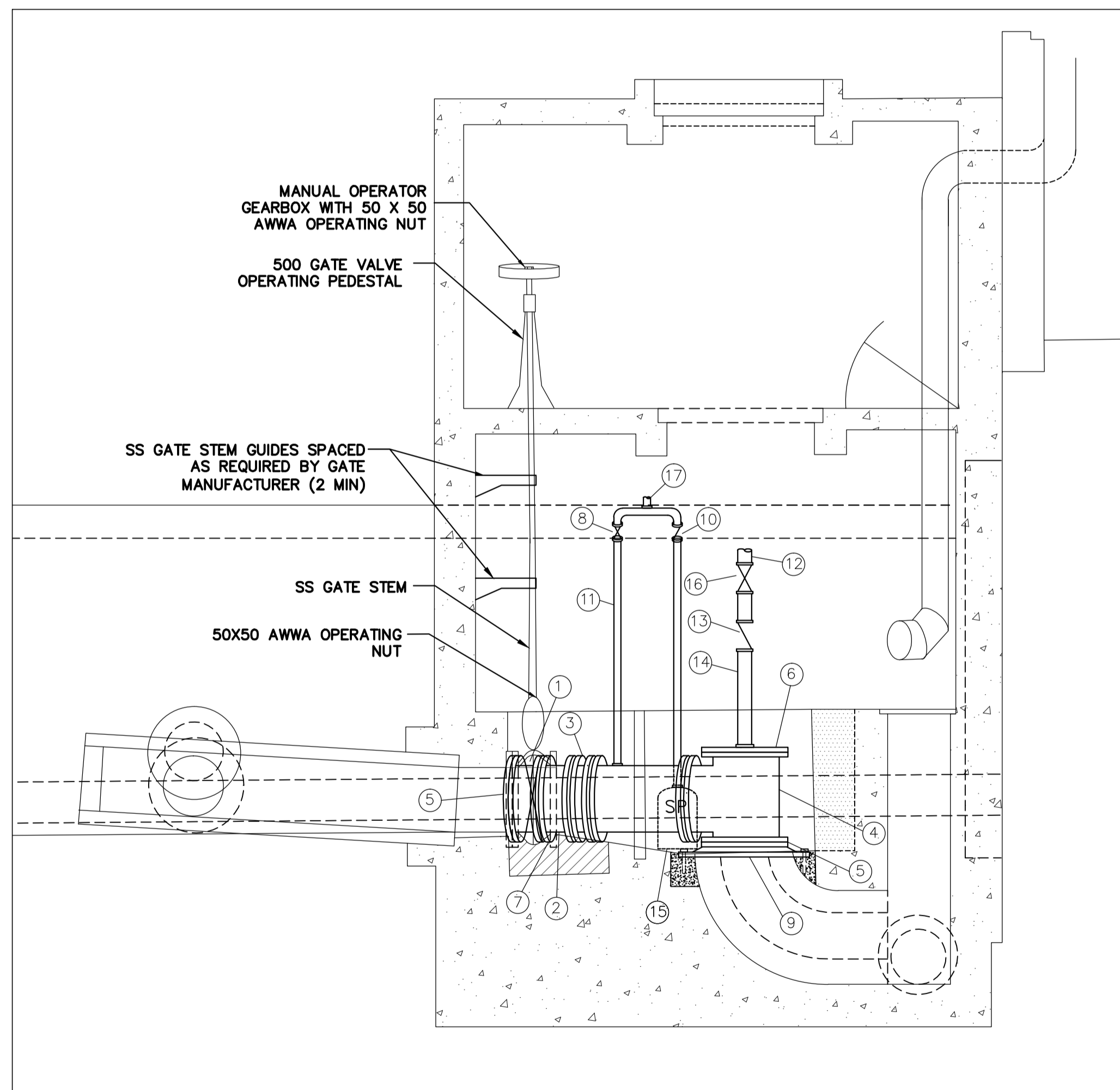
MATERIALS LIST

ITEM	DESCRIPTION	ENDS	LENGTH	QUANTITY
①	* 500# NON RISING STEM GATE VALVES W/PEDESTAL OPERATORS	FL	3462±	1
②	500# PIPE	FL+PE	786±	1
③	500# CAST IRON 45° BEND	FL	-	1
④	500# CAST IRON TEE	FL	-	1
⑤	500# DI FLANGED WALL THIMBLE	-	-	2
⑥	500# DI BLIND FLANGE	-	-	2
⑦	500# UNI-FLANGE	-	-	1
⑧	38# CHECK VALVE	-	-	1
⑨	775#-500# REDUCER	-	-	1
⑩	38# GATE VALVE	-	-	1
⑪	38# ABS PIPE	-	-	1
⑫	75# ONE WAY AIR VALVE	-	-	1
⑬	75# CHECK VALVE	-	-	1
⑭	75# TYPE 316 SS PIPE	-	-	1
⑮	110V, MIN 1/3 HP, SUMP PUMP W/FLOAT SWITCH	-	-	1
⑯	75# GATE VALVE	-	-	1

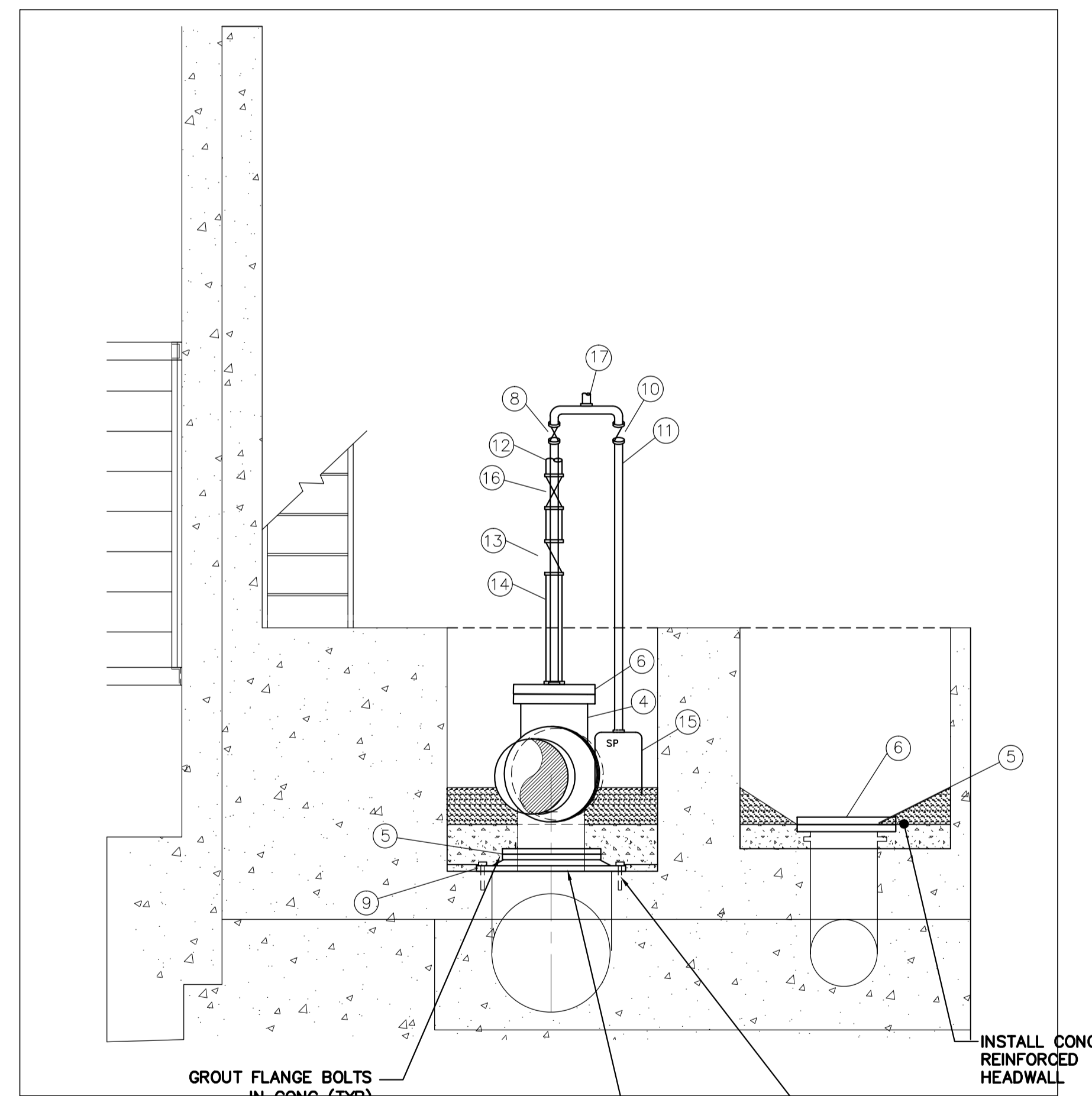
NOTE:
LENGTHS & DIMENSIONS SHOWN AS ± TO BE FIELD CONFIRMED BY CONTRACTOR
* ITEMS SUPPLIED BY CITY
- CONTRACTOR TO SUPPLY CABLES & CONDUIT FROM SUMP PUMPS TO ELECTRICAL OUTLETS IN COMMINUTOR ROOM
- VALVE PEDESTAL OPERATORS TO HAVE POSITION INDICATORS.

CONSTRUCTION NOTES:

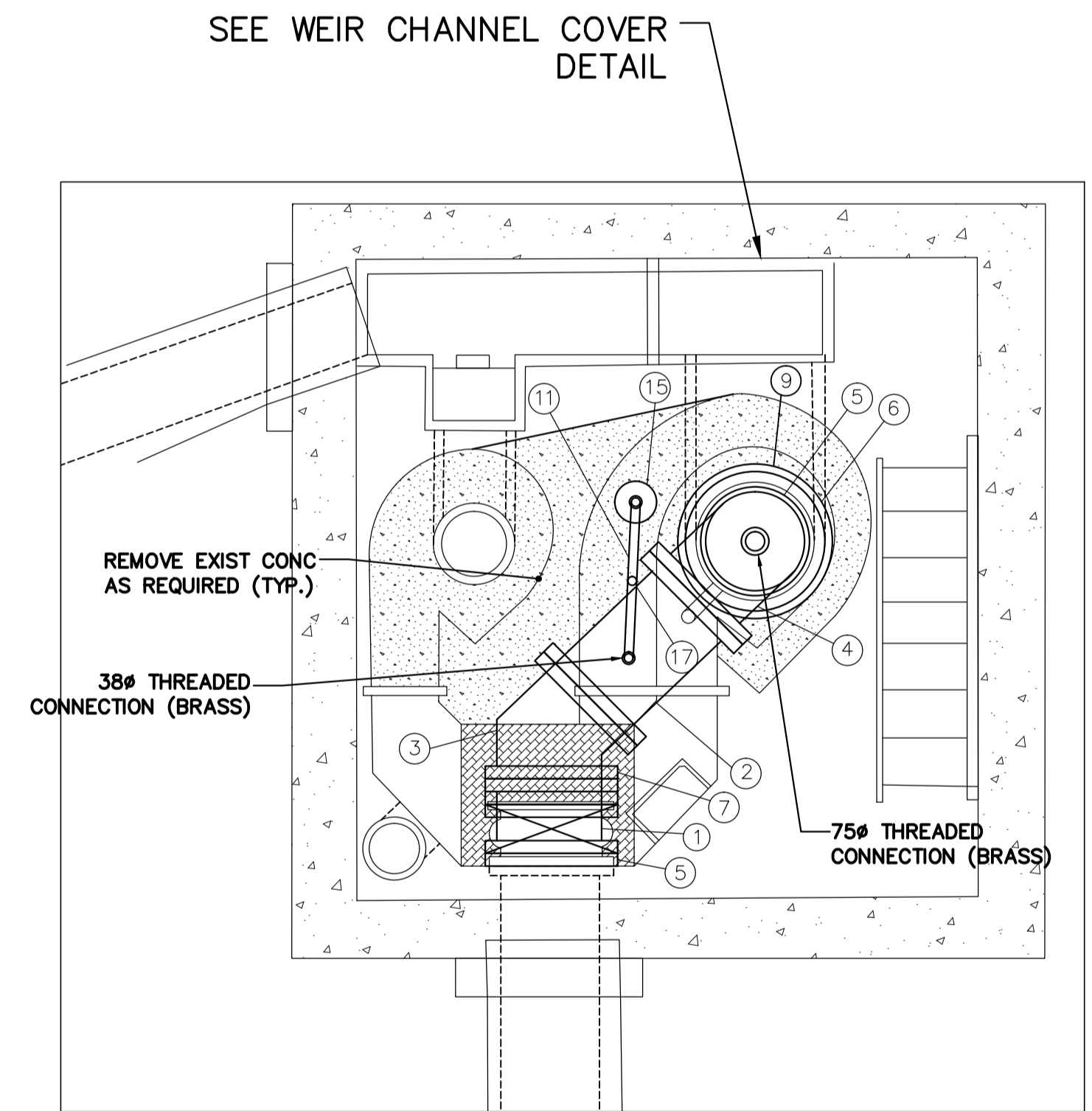
- ALLOWABLE SHUTDOWN TIME: MAX. 12.0 HRS OR AS DETERMINED BY COLLECTIONS STAFF
- CRITICAL BASEMENT ELEVATION: 224.639
- REMOVE EXISTING CONCRETE PIPING, VALVES, FITTINGS, AND OTHER MATERIALS AS REQUIRED. INSTALL NEW PUMPS, MOTORS, PIPING, VALVES AND FITTINGS AS SHOWN.
- PROVIDE TEMPORARY BY-PASS PUMPING OF WASTEWATER DURING CONSTRUCTION.
- INSTALL MECHANICAL WORKS AS INDICATED AND ACCORDING TO MANUFACTURER'S SPECIFICATIONS.
- EXCAVATIONS TO BE BACKFILLED WITH CLASS 3 OR CLASS 5 BACKFILL IN ACCORDANCE WITH CW 2030 AND SD-002.
- FLANGE NUTS & BOLTS TO BE ASTM A307.
- GASKETS TO BE FULL FACED, 3 THICK RED RUBBER.
- CONTRACTOR TO CONFIRM ALL DIMENSIONS BEFORE ASSEMBLING PIPE.
- ALL ANCHOR BOLTS TO BE ASTM A276 TYPE 316 SS.



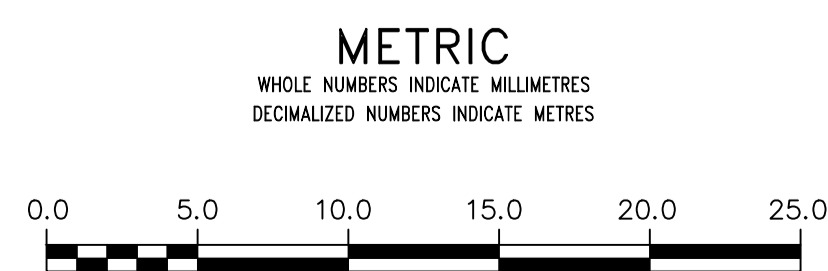
SIDE VIEW
NTS



FRONT VIEW
NTS



TOP VIEW
NTS



LOCATION APPROVED UNDERGROUND STRUCTURES	
SUPV. U/G STRUCTURES COMMITTEE	DATE
NOTE: LOCATION OF UNDERGROUND STRUCTURES AS SHOWN ARE BASED ON THE BEST INFORMATION AVAILABLE BUT NO GUARANTEE IS GIVEN THAT ALL EXISTING UTILITIES ARE SHOWN OR THAT THE GIVEN LOCATIONS ARE EXACT. CONFIRMATION OF EXISTENCE AND EXACT LOCATION OF ALL SERVICES MUST BE OBTAINED FROM THE INDIVIDUAL UTILITIES BEFORE PROCEEDING WITH CONSTRUCTION.	
NO.	REVISIONS
DATE	BY

B.M. ELEV.	
DESIGNED BY	NC
CHECKED BY	NC
DRAWN BY	RS
APPROVED BY	NC
SCALE:	
HORIZONTAL	NTS
VERTICAL	NTS
DATE	2016 09 21
RELEASED FOR CONSTRUCTION	DATE

ENGINEER'S SEAL	
ORIGINAL SIGNED BY N.M. CONTI	16/09/21
CONSULTANT DRAWING NUMBER	

DESIGNED BY NC
CHECKED BY NC
DRAWN BY RS
APPROVED BY NC
SCALE: HORIZONTAL NTS, VERTICAL NTS
DATE 2016 09 21
RELEASED FOR CONSTRUCTION

THE CITY OF WINNIPEG
WATER AND WASTE DEPARTMENT
ENGINEERING DIVISION

2016 COMMINUTOR CHAMBER PIPING & VALVE UPGRADES
NEWTON LIFT STATION
NEWTON AVENUE @ SCOTIA STREET

SHEET 9 OF 11
CITY DRAWING NUMBER
1-0166L-M0001-001