

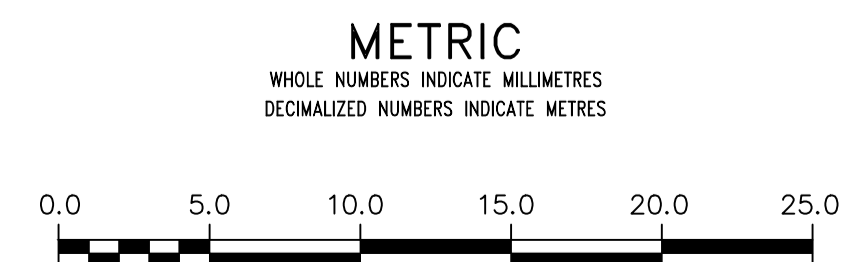
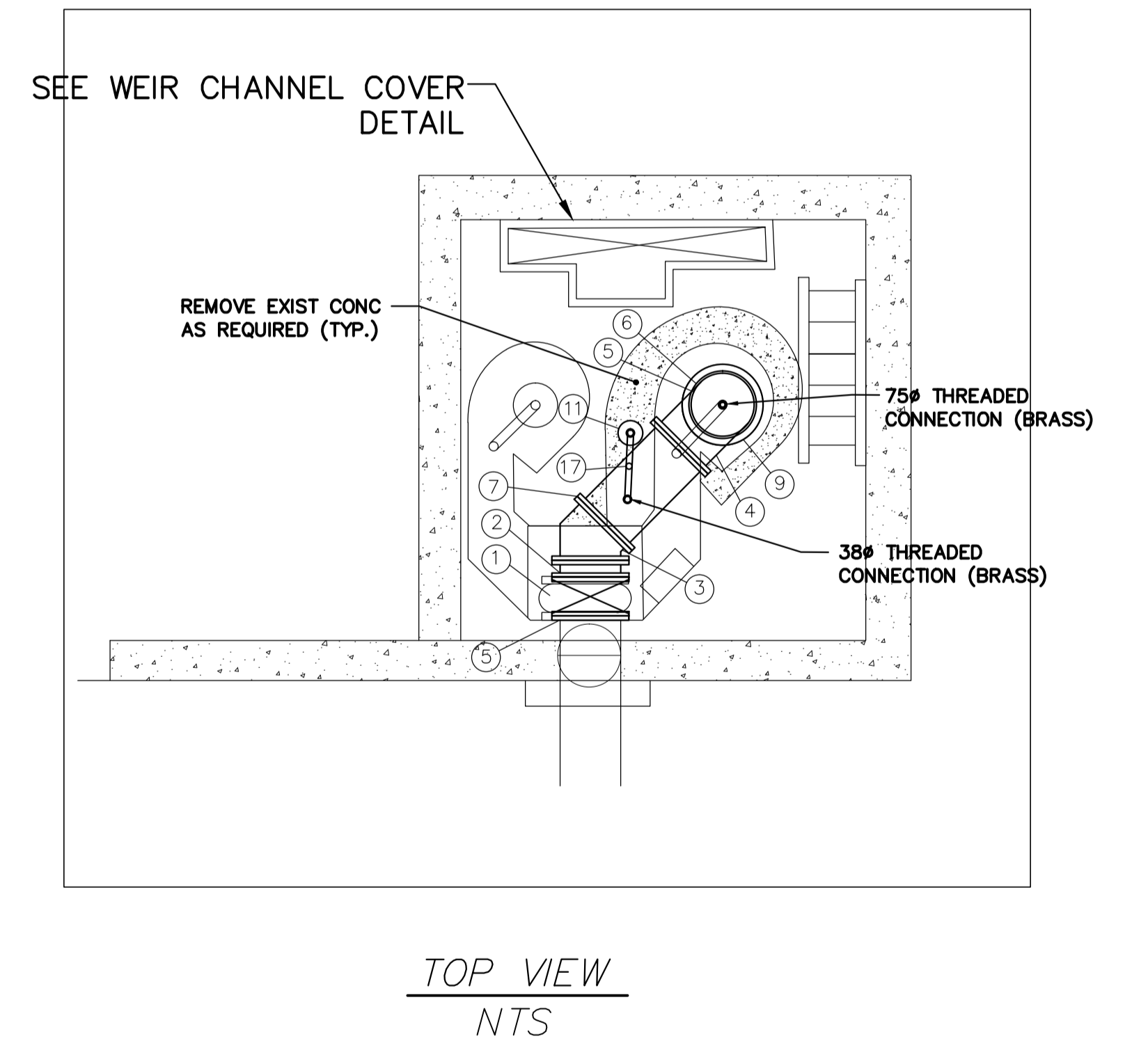
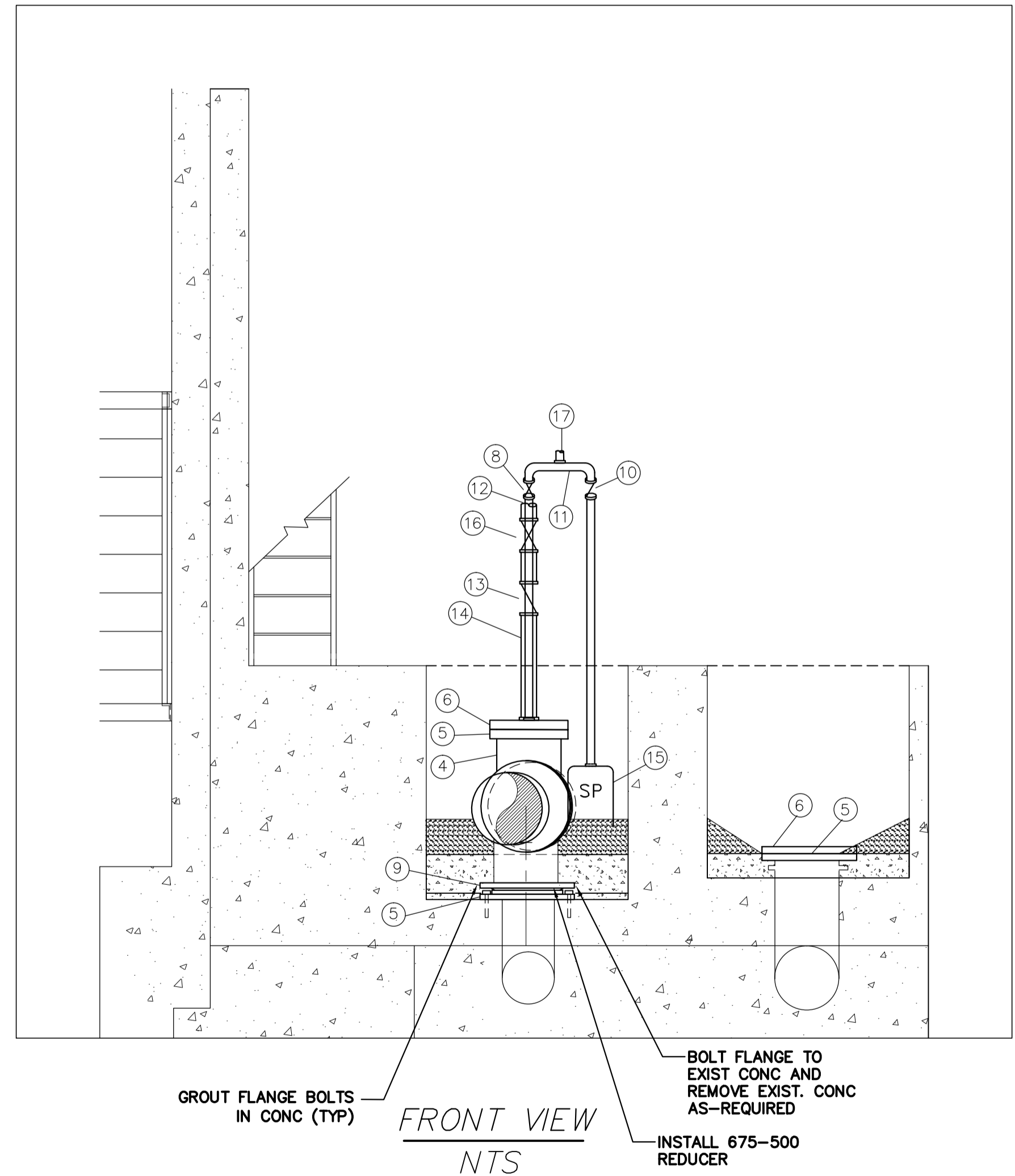
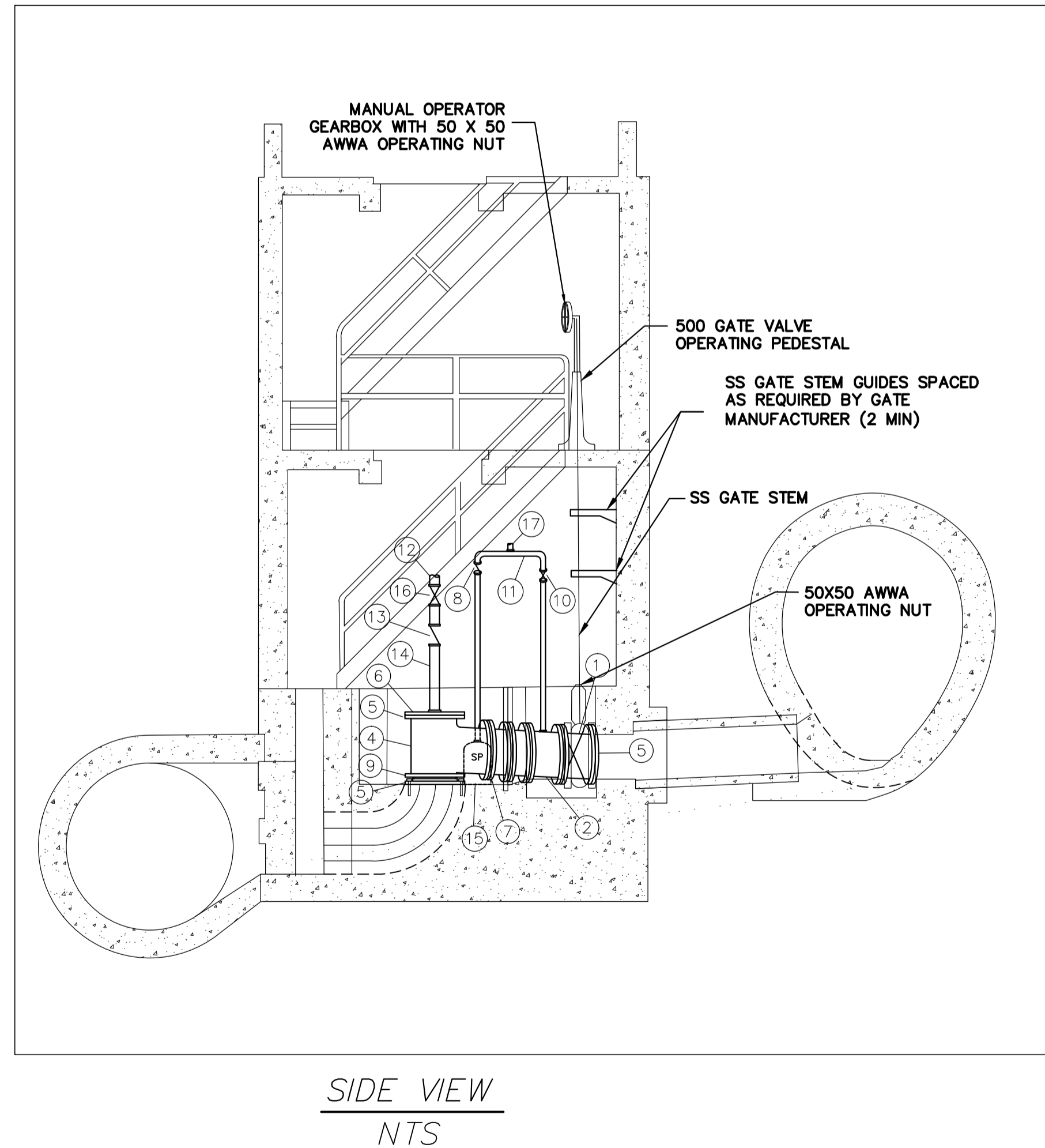
WEIR CHANNEL COVER DETAIL
(TYPICAL)
NTS

MATERIALS LIST

ITEM	DESCRIPTION	ENDS	LENGTH	QUANTITY
1	* 500# NON RISING STEM GATE VALVES W/PEDESTAL OPERATORS	FL	3462±	1
2	500# PIPE	FL+PE	786±	1
3	500# CAST IRON 45° BEND	FL	-	1
4	500# CAST IRON TEE	FL	-	1
5	500# DI FLANGED WALL THIMBLE	-	-	2
6	500# DI BLIND FLANGE	-	-	2
7	500# UNI-FLANGE	-	-	1
8	38# CHECK VALVE	-	-	1
9	500#-675# REDUCER	-	-	1
10	38# GATE VALVE	-	-	1
11	38# ABS PIPE	-	-	1
12	75# ONE WAY AIR VALVE	-	-	1
13	75# CHECK VALVE	-	-	1
14	75# TYPE 316 SS PIPE	-	-	1
15	110V, MIN 1/3 HP, SUMP PUMP W/FLOAT SWITCH	-	-	1
16	75# GATE VALVE	-	-	1
17	38# ONE-WAY AIR VALVE	-	-	1

NOTE: LENGTHS & DIMENSIONS SHOWN AS ± TO BE FIELD CONFIRMED BY CONTRACTOR
 * ITEMS SUPPLIED BY CITY
 - CONTRACTOR TO SUPPLY CABLES & CONDUIT FROM SUMP PUMPS TO ELECTRICAL OUTLETS IN COMMINUTOR ROOM
 - VALVE PEDESTAL OPERATORS TO HAVE POSITION INDICATORS.

- CONSTRUCTION NOTES:**
- ALLOWABLE SHUTDOWN TIME: MAX. 24.0 HRS OR AS DETERMINED BY COLLECTIONS STAFF
 - CRITICAL BASEMENT ELEVATION: 224.522
 - REMOVE EXISTING CONCRETE PIPING, VALVES, FITTINGS, AND OTHER MATERIALS AS REQUIRED. INSTALL NEW PUMPS, MOTORS, PIPING, VALVES AND FITTINGS AS SHOWN.
 - PROVIDE TEMPORARY BY-PASS PUMPING OF WASTEWATER DURING CONSTRUCTION.
 - INSTALL MECHANICAL WORKS AS INDICATED AND ACCORDING TO MANUFACTURER'S SPECIFICATIONS.
 - EXCAVATIONS TO BE BACKFILLED WITH CLASS 3 OR CLASS 5 BACKFILL IN ACCORDANCE WITH CW 2030 AND SD-002.
 - FLANGE NUTS & BOLTS TO BE ASTM A307.
 - GASKETS TO BE FULL FACED, 3 THICK RED RUBBER.
 - CONTRACTOR TO CONFIRM ALL DIMENSIONS BEFORE ASSEMBLING PIPE.
 - ALL ANCHOR BOLTS TO BE ASTM A276 TYPE 316 SS.



LOCATION APPROVED UNDERGROUND STRUCTURES		B.M. ELEV.	
SUPV. U/G STRUCTURES COMMITTEE	DATE		
NOTE: LOCATION OF UNDERGROUND STRUCTURES AS SHOWN ARE BASED ON THE BEST INFORMATION AVAILABLE BUT NO GUARANTEE IS GIVEN THAT ALL EXISTING UTILITIES ARE SHOWN OR THAT THE GIVEN LOCATIONS ARE EXACT. CONFIRMATION OF EXISTENCE AND EXACT LOCATION OF ALL SERVICES MUST BE OBTAINED FROM THE INDIVIDUAL UTILITIES BEFORE PROCEEDING WITH CONSTRUCTION.			
NO.	REVISIONS	DATE	BY

DESIGNED BY	NC	CHECKED BY	NC
DRAWN BY	RS	APPROVED BY	NC
SCALE:	HORIZONTAL NTS	RELEASED FOR CONSTRUCTION	
	VERTICAL NTS	DATE	2016 09 21

ENGINEER'S SEAL

ORIGINAL SIGNED
BY N.M. CONTI
16/09/21

CONSULTANT DRAWING NUMBER
-

<p>THE CITY OF WINNIPEG WATER AND WASTE DEPARTMENT ENGINEERING DIVISION</p>		SHEET 9 OF 11 CITY DRAWING NUMBER
<p>2016 COMMINUTOR CHAMBER PIPING & VALVE UPGRADES TYLEHURST LIFT STATION TYLEHURST STREET @ WOLSELEY AVENUE WEST</p>		<p>1-0193L-M0001-001</p>