

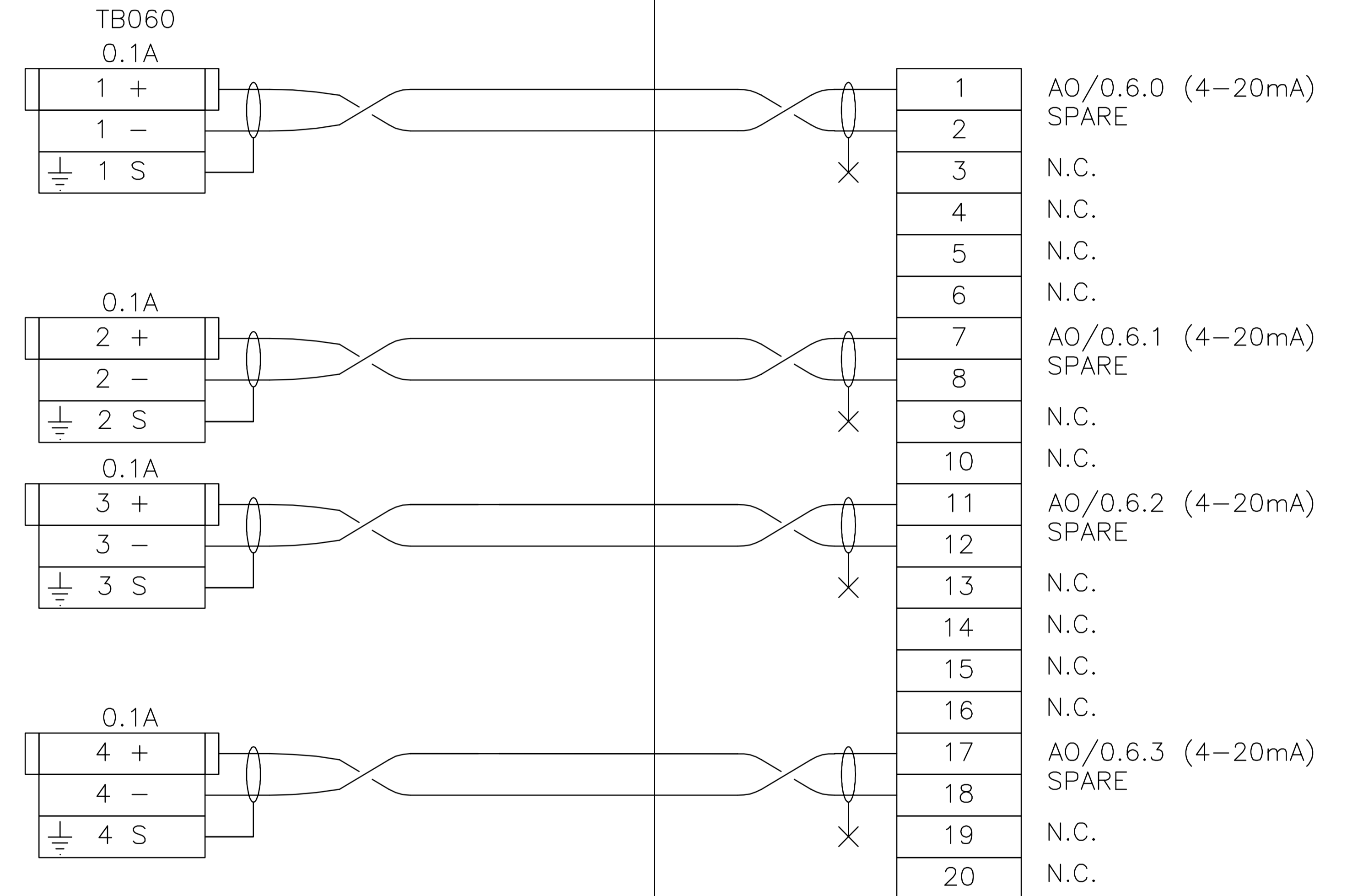
FIELD

CONTROL PANEL CP-M801

FIELD TERMINALS

PLC SECTION

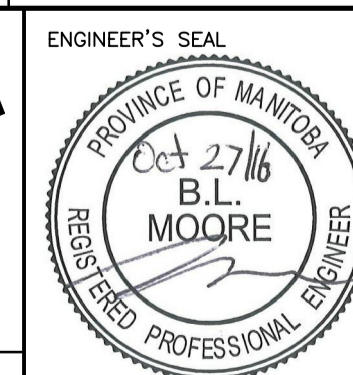
BMX AMO 0410  
RACK 0, SLOT 6



B.M. ELEV.					
DESIGNED BY	BLM				
DRAWN BY	MS				
CHECKED BY	-				
APPROVED BY	-				
HOR. SCALE					
VERTICAL					
NO.	REVISIONS	DATE	BY	DATE	
0	Issued for Tender	16/10/27	BLM		



RELEASED FOR CONSTRUCTION



CONSULTANT PROJECT NO. 163526



NORTH END SEWAGE TREATMENT PLANT  
NEWPCC MAIN BUILDING - HVAC REPLACEMENT  
CONTROL PANEL CP-M801  
RACK 0, SLOT 6, WIRING DIAGRAM

CITY DRAWING NUMBER	1-0101M-A0048-001
SHEET	18 OF 21
IL-07	