

FIELD

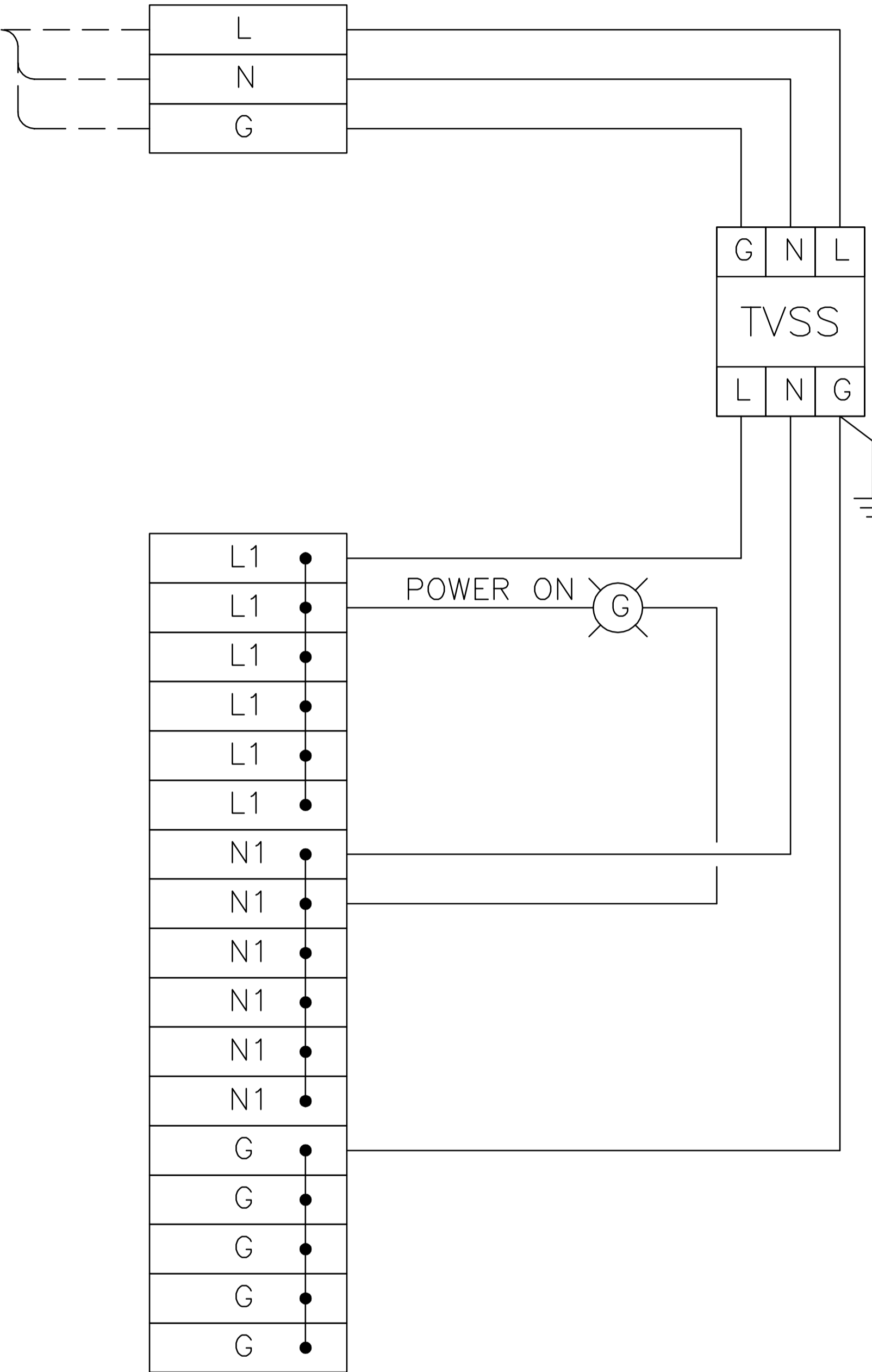
CONTROL PANEL CP-M801

FIELD TERMINALS

PLC SECTION

PNL-M
CCT. No. ___

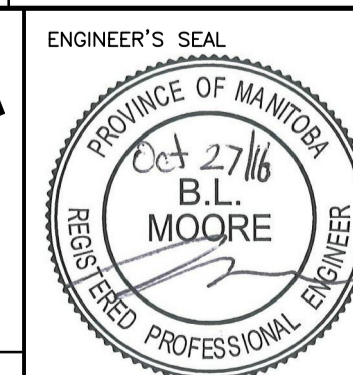
CA-M801



B.M. ELEV.	DESIGNED BY	BLM
	DRAWN BY	MS
	CHECKED BY	-
	APPROVED BY	-
	HOR. SCALE	VERTICAL
0	Issued for Tender	16/10/27 BLM
NO.	REVISIONS	DATE BY DATE



RELEASED FOR CONSTRUCTION



CONSULTANT PROJECT NO. 163526

THE CITY OF WINNIPEG
WATER AND WASTE DEPARTMENT

NORTH END SEWAGE TREATMENT PLANT
NEWPCC MAIN BUILDING - HVAC REPLACEMENT

CONTROL PANEL CP-M801
120VAC POWER SUPPLY

CITY DRAWING NUMBER
1-0101M-A0042-001
SHEET 12 OF 21

IL-01