

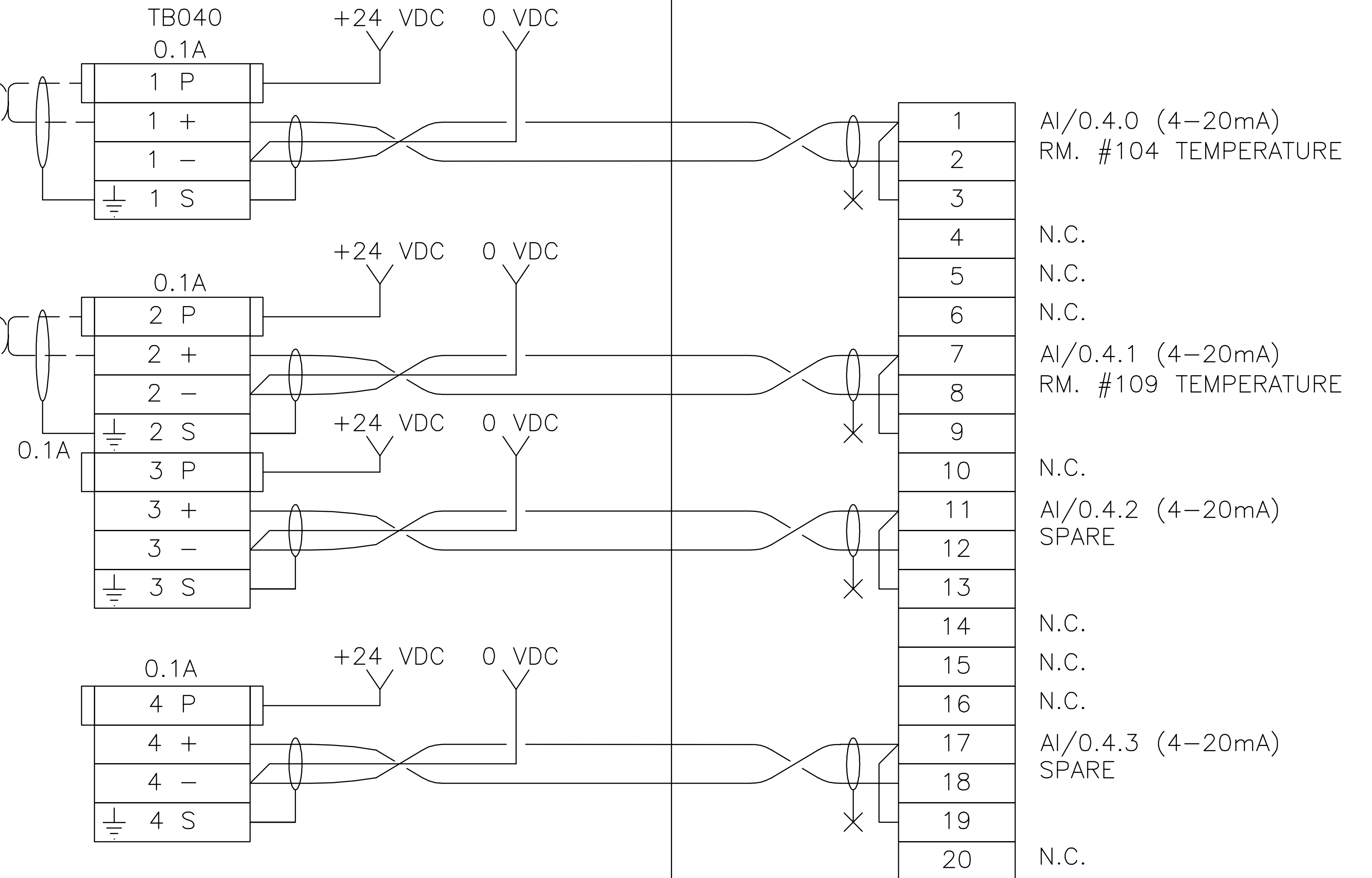
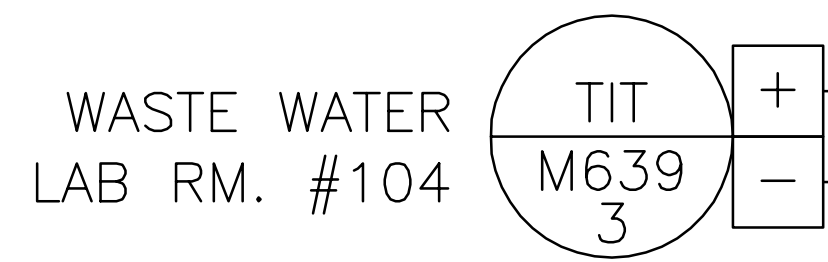
FIELD

CONTROL PANEL CP-M801

FIELD TERMINALS

PLC SECTION

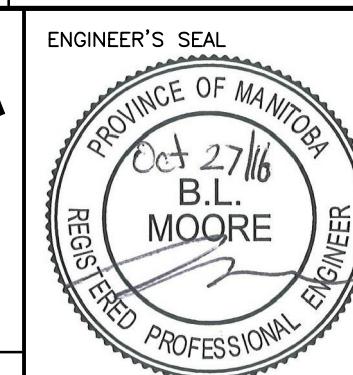
BMX AMI 0410
RACK 0, SLOT 4



B.M. ELEV.		DESIGNED BY	BLM
		DRAWN BY	MS
		CHECKED BY	-
		APPROVED BY	-
		HOR. SCALE	VERTICAL
0	Issued for Tender	16/10/27	BLM
NO.	REVISIONS	DATE	BY



RELEASED FOR CONSTRUCTION



CONSULTANT PROJECT NO.
163526



NORTH END SEWAGE TREATMENT PLANT
NEWPCC MAIN BUILDING - HVAC REPLACEMENT
CONTROL PANEL CP-M801
RACK 0, SLOT 4, WIRING DIAGRAM

CITY DRAWING NUMBER
1-0101M-A0046-001

SHEET 16 OF 21

IL-05