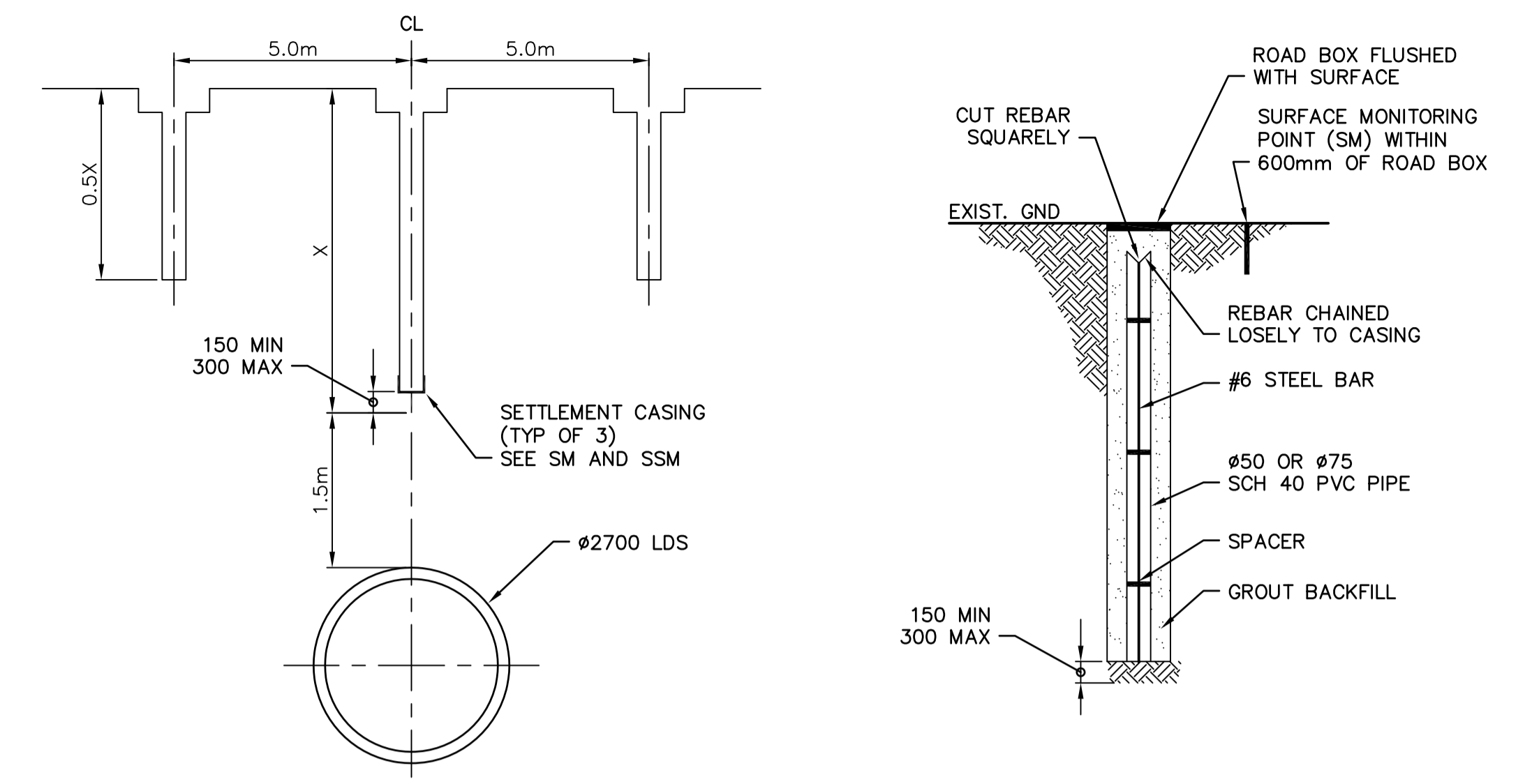
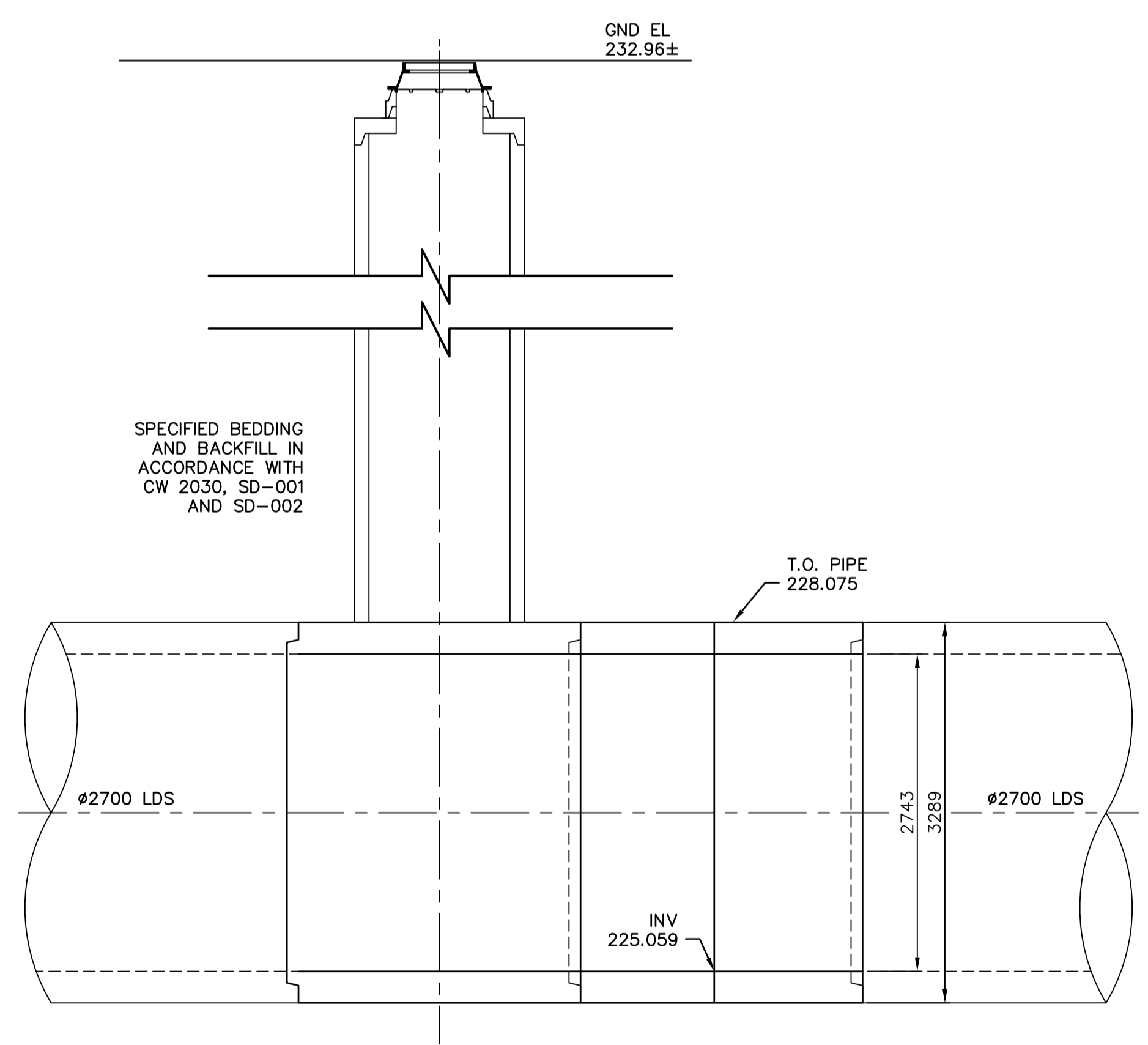


MH 31 PLAN

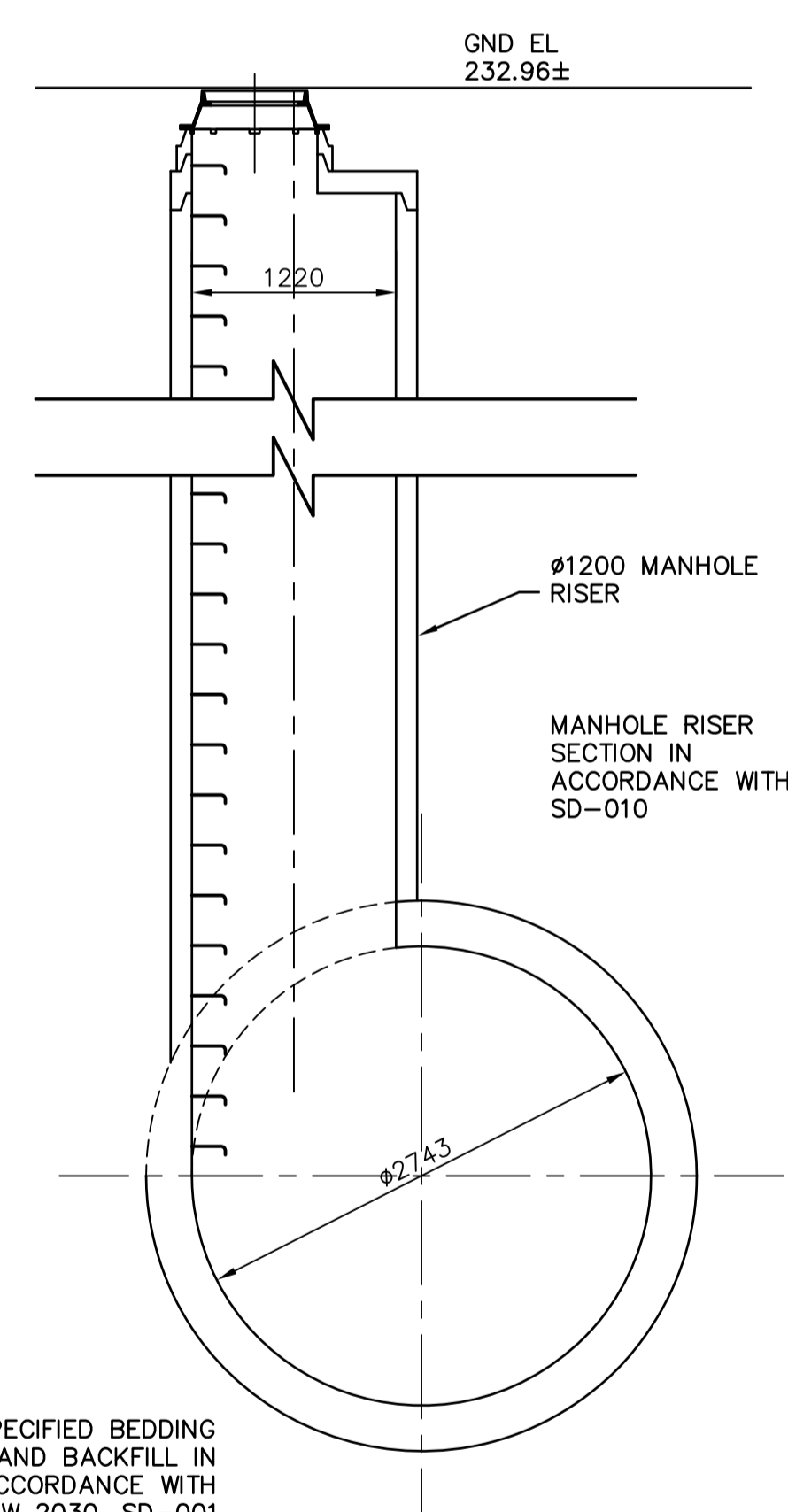


SURFACE AND SUBSURFACE MONITORING ARRAY

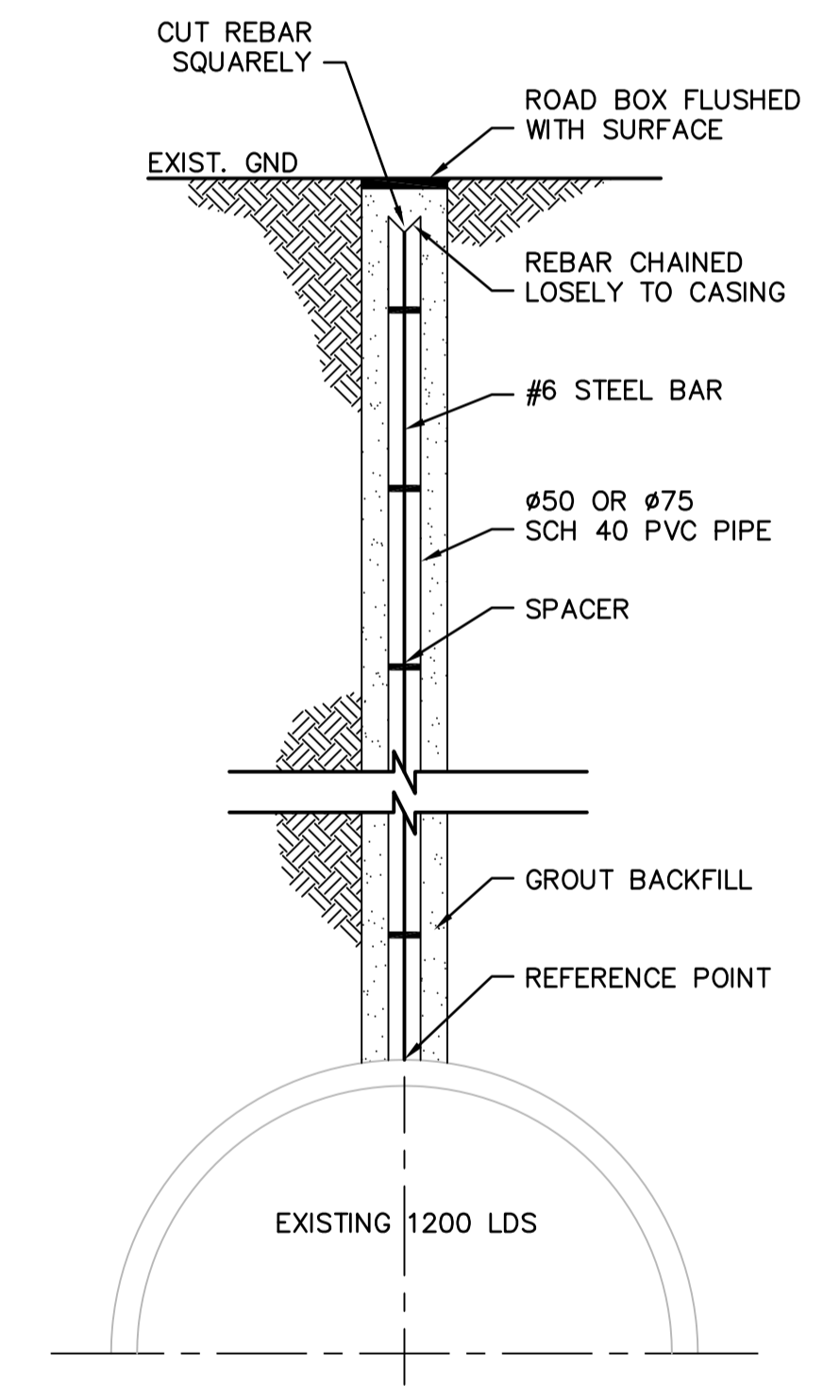
SURFACE AND SUBSURFACE MONITORING POINTS (SM AND SSM)



SECTION A



SECTION B



UTILITY SETTLEMENT MONITORING POINT

1 PIPE BEND WITH RISER TEE MH 1:40

2 MONITORING POINT DETAILS NTS

File name: C:\pw_workdir\cni2mhill_wbg\jcoritez\0204776\

EXISTING	LEGEND-PLAN	PROPOSED	EXISTING	LEGEND-PLAN	PROPOSED	EXISTING	LEGEND-PROFILE	PROPOSED
150 WM	WATER MAIN	150 WM	HYDRO	M.T.S.	150 WM	WATER MAIN	150 WM	
+	HYDRANT	+	---	CONCRETE	---	HYDRANT, VALVE	+	
⊗	VALVE	⊗	---	ASPHALT	---	LAND DRAINAGE SEWER	+	
300 LDS	LAND DRAINAGE SEWER	300 LDS	---	SIDEWALK	---	WASTE WATER SEWER	+	
250 WWS	WASTE WATER SEWER	250 WWS	---	PLANNING	---	WASTE WATER SEWER	+	
○	MANHOLE	○	---	PROPERTY LINE	---	CENTRELINE	---	
□	CATCH BASIN	□	---	SURVEY BAR	---	NORTH/WEST GUTTER	---	
▽	CURB INLET	▽	---	GAS	---	SOUTH/EAST GUTTER	---	
⌢	BEND	⌢	---	CURB STOP	---	N/W, S/E R'S	---	
▽	REDUCER	▽	---	TEE	---		---	
J		J	---		---		---	

LOCATION APPROVED UNDERGROUND STRUCTURES

SUPV. U/G STRUCTURES COMMITTEE DATE

NOTE:
LOCATION OF UNDERGROUND STRUCTURES AS SHOWN ARE BASED ON THE BEST INFORMATION AVAILABLE BUT NO GUARANTEE IS GIVEN THAT ALL EXISTING UTILITIES ARE SHOWN OR THAT THE GIVEN LOCATIONS ARE EXACT. CONFIRMATION OF EXISTENCE AND EXACT LOCATION OF ALL SERVICES MUST BE OBTAINED FROM THE INDIVIDUAL UTILITIES BEFORE PROCEEDING WITH CONSTRUCTION.

NO.	REVISIONS	DATE	BY
C	ISSUED FOR RFQ 908-2016	11/2016	JBC
B	ISSUED FOR 95% REVIEW	09/2016	JBC
A	ISSUED FOR REVIEW	08/2016	JBC

KGS GROUP CONSULTING ENGINEERS

ch2m.

DESIGNED BY: SDG
DRAWN BY: JBC

CHECKED BY: MD
APPROVED BY:

HOR. SCALE: AS NOTED
VERTICAL: -

RELEASED FOR CONSTRUCTION: DATE

ENGINEER'S SEAL

PRELIMINARY
NOT FOR CONSTRUCTION

CONSULTANT DRAWING NO.
C-502

THE CITY OF WINNIPEG
WATER AND WASTE DEPARTMENT

PROJECT TITLE
COCKBURN AND CALROSSIE COMBINED SEWER RELIEF WORKS - CONTRACT 4

RISER MANHOLE AND MONITORING POINT DETAILS

SHEET OF 11 OF 12
COMPUTER FILE NAME: C-502.dwg
CITY DRAWING NUMBER: LD-7897

APEGN
Certificate of Authorization
CH2M HILL Canada Ltd.
No. 1441