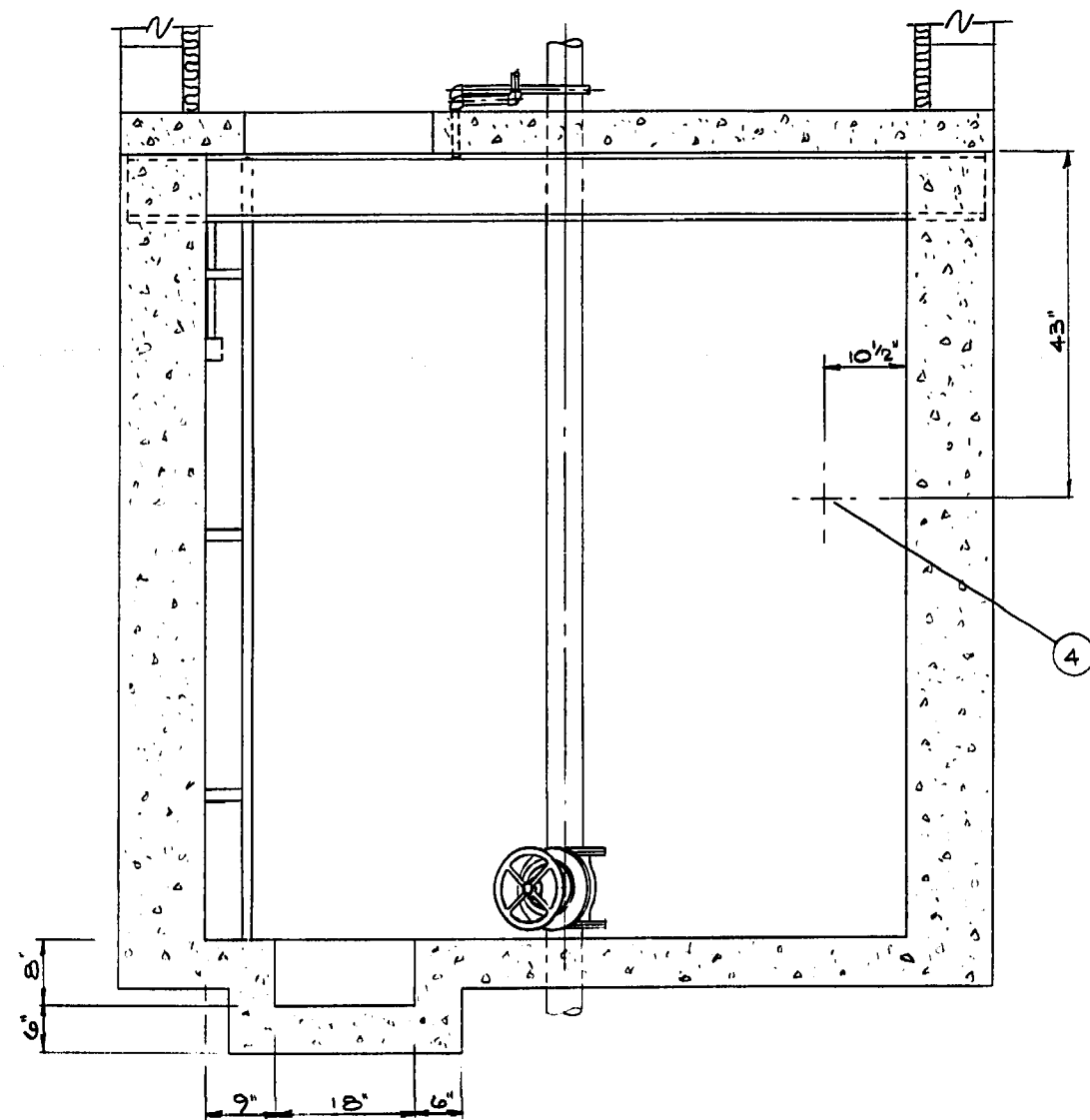
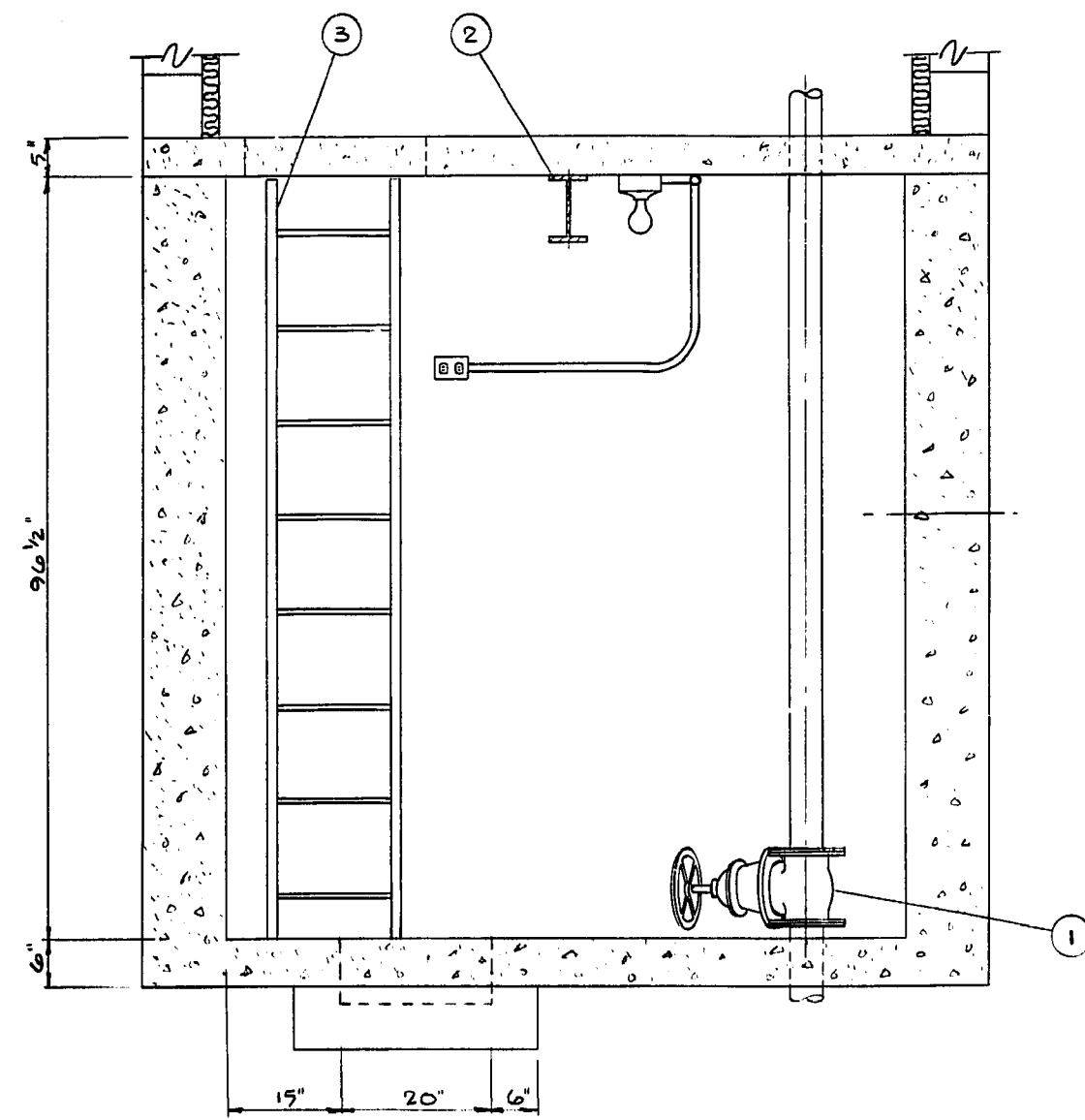


PLAN VIEW BUILDING FLOOR REMOVED



SECTION A-A



SECTION B-B

LIST OF MATERIALS

No	DESCRIPTION	QTY
1	4" DIA. FLANGED CAST IRON GATE VALVE	1
2	8"x5" I BEAM x 110" LG	1
3	STEEL LADDER	1
4	OVERFLOW OUTLET PIPE	1

AS BUILT
W. Klegu DEC 22 1977
 SURVEY ENGINEERING DATE

NO.	DESCRIPTION	DATE	BY

The City of Winnipeg
 Waterworks, Waste and Disposal Division

ST JAMES-ASSINIBOIA STANDPIPE
 SUMP DETAIL

DESIGNED BY	DRAWN BY
CHECKED BY	DATE
APPROVED BY	1 - NOV - 1977
SCALE 3/4" = 1'-0"	DRAWING NO. D-1364