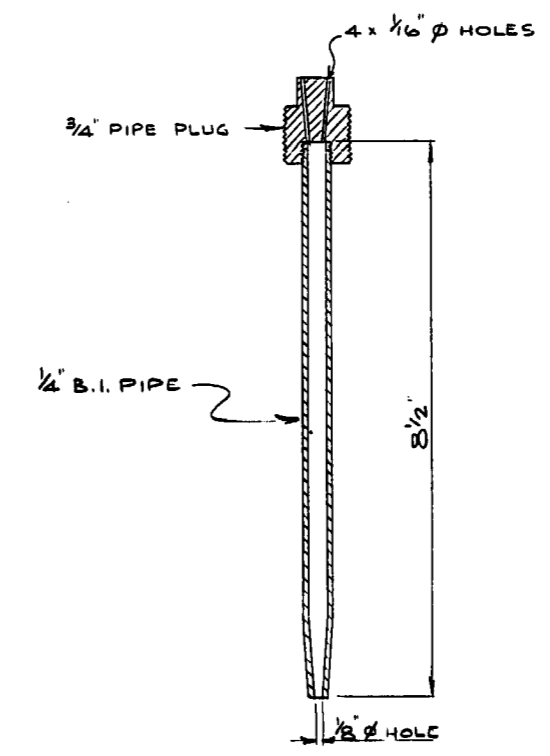
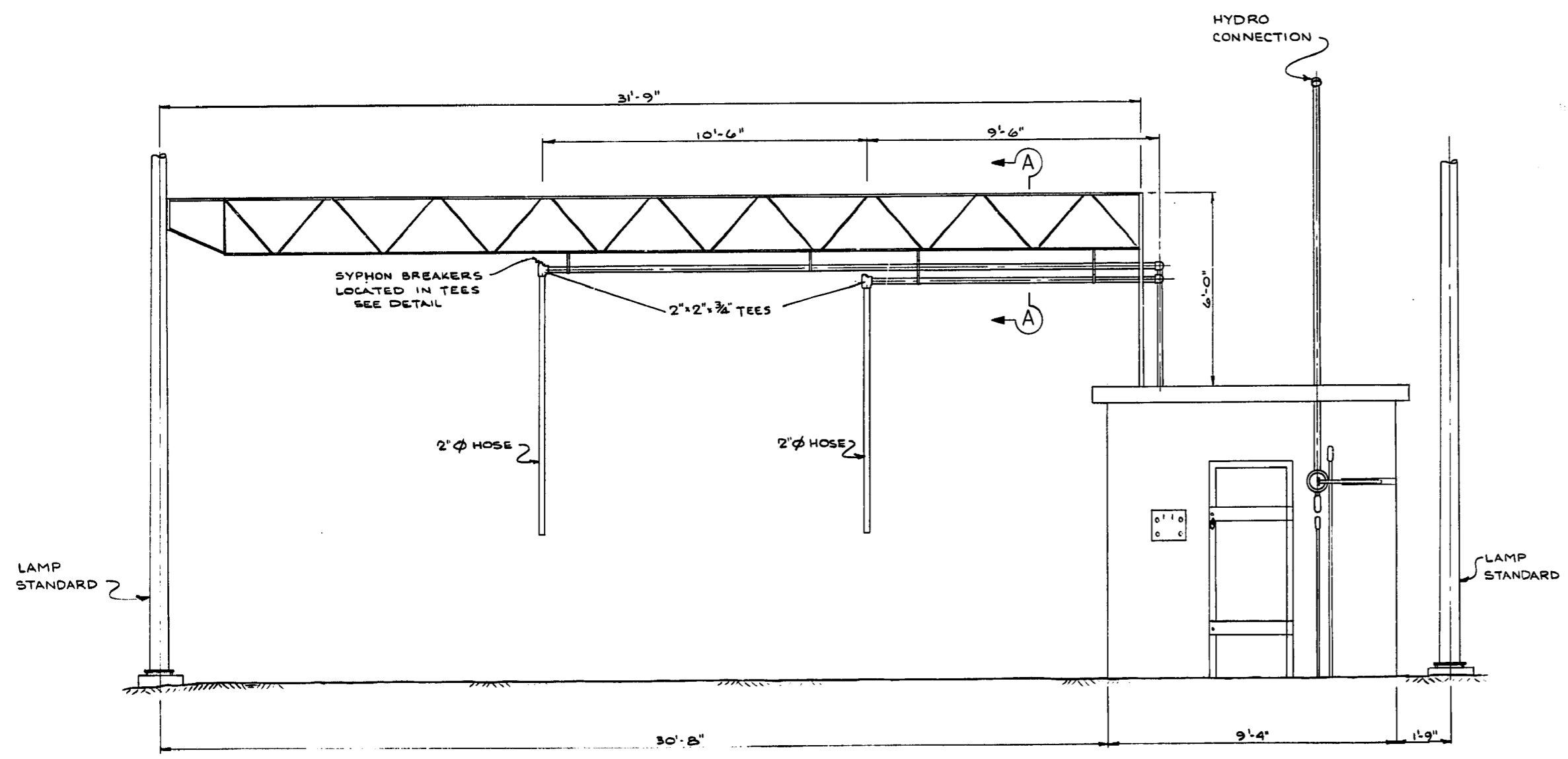


SECTION A-A
 $\frac{3}{4}'' = 1'-0''$



SYPHON BREAKER

AS BUILT
 SURVEY ENGINEERING DATE
 NFC 221977

NO.	DESCRIPTION	DATE	BY

The City of Winnipeg
 Waterworks, Waste and Disposal Division

ST JAMES - ASSINIBOIA STANDPIPE
 SUPERSTRUCTURE DETAIL

DESIGNED BY	DRAWN BY
CHECKED BY	DATE
APPROVED BY	28-OCT-1977
SCALE	DRAWING NO.
$\frac{3}{8}'' = 1'-0''$	D-1366