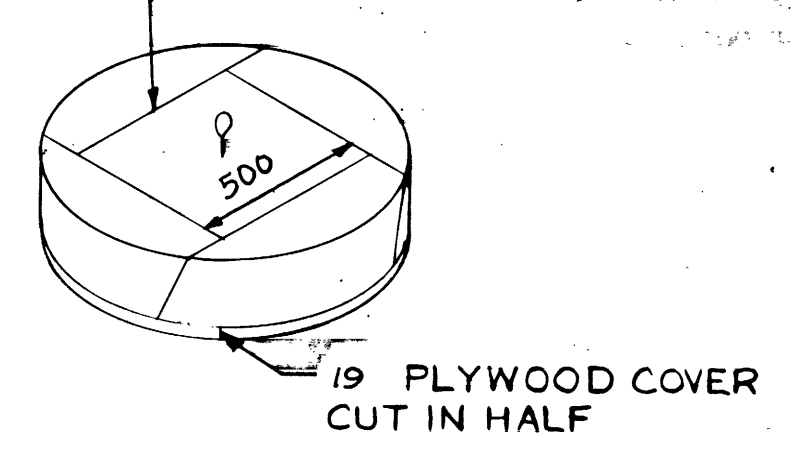
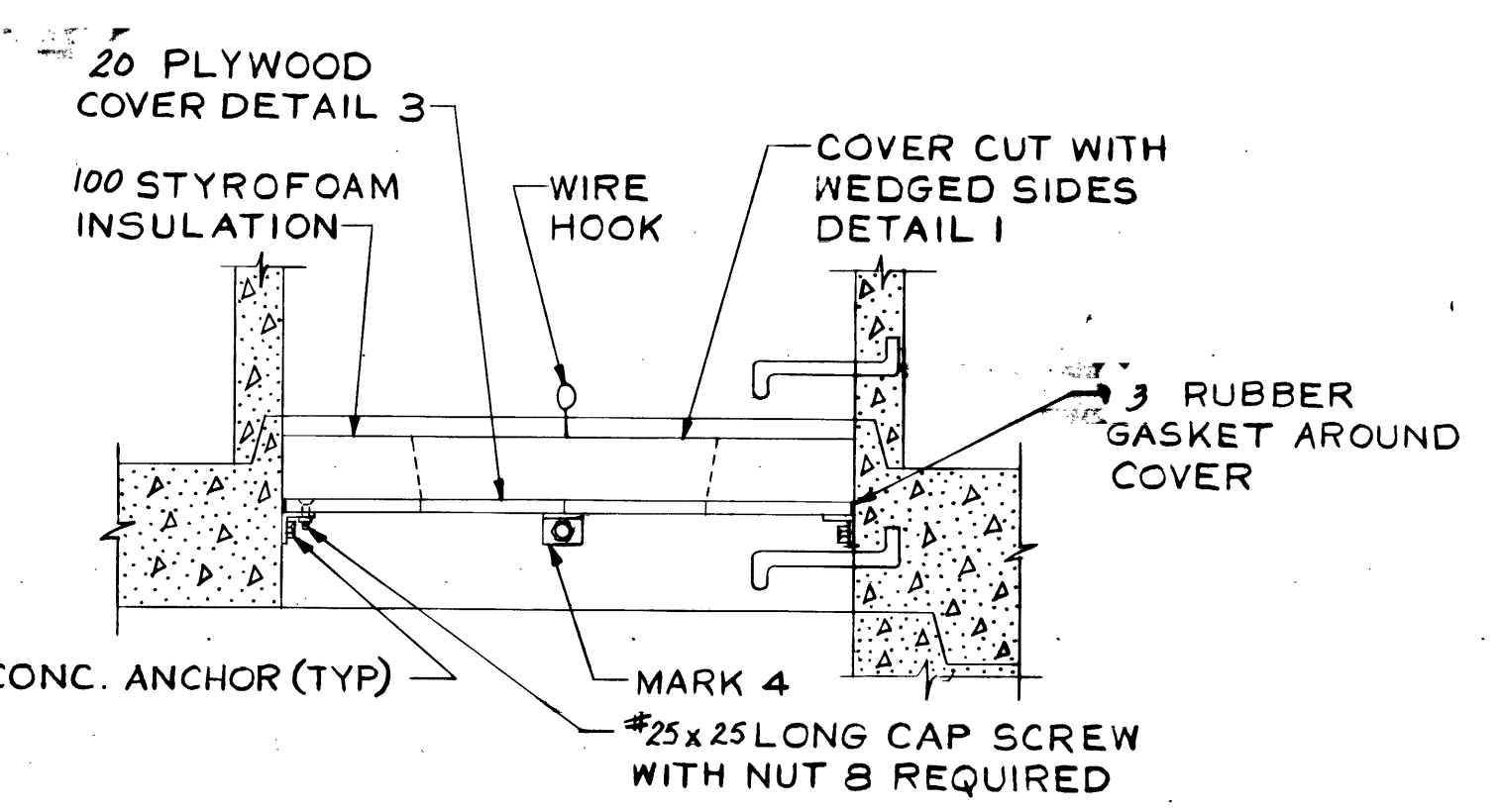


SECTIONS THROUGH TYPICAL METERING PIT

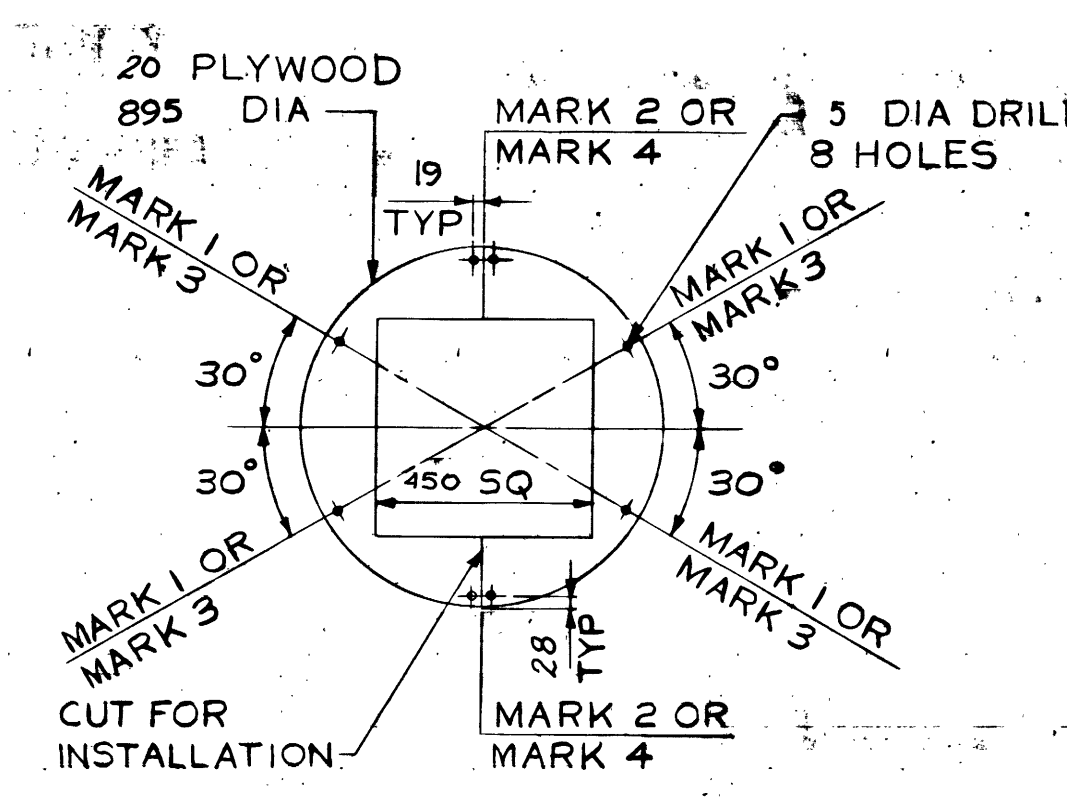
STYROFOAM INSULATION CUT AS SHOWN FOR INSTALLATION



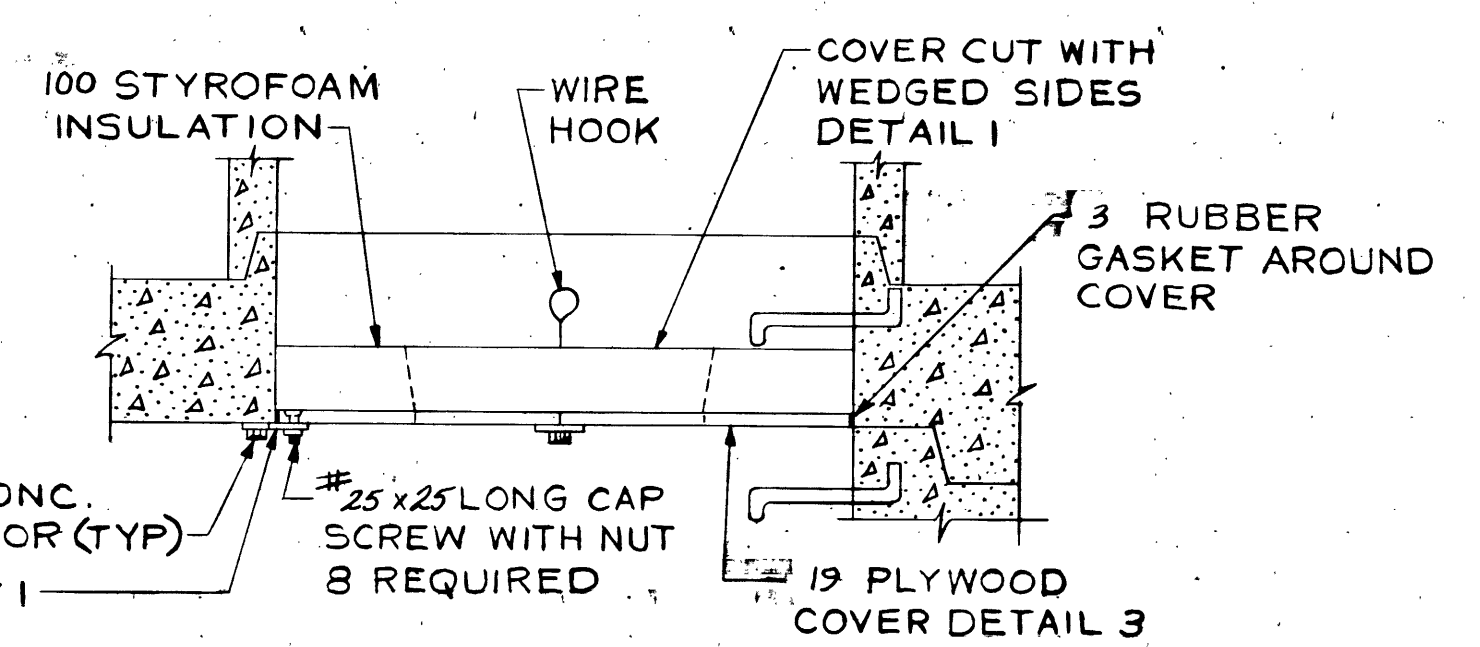
DETAIL 1



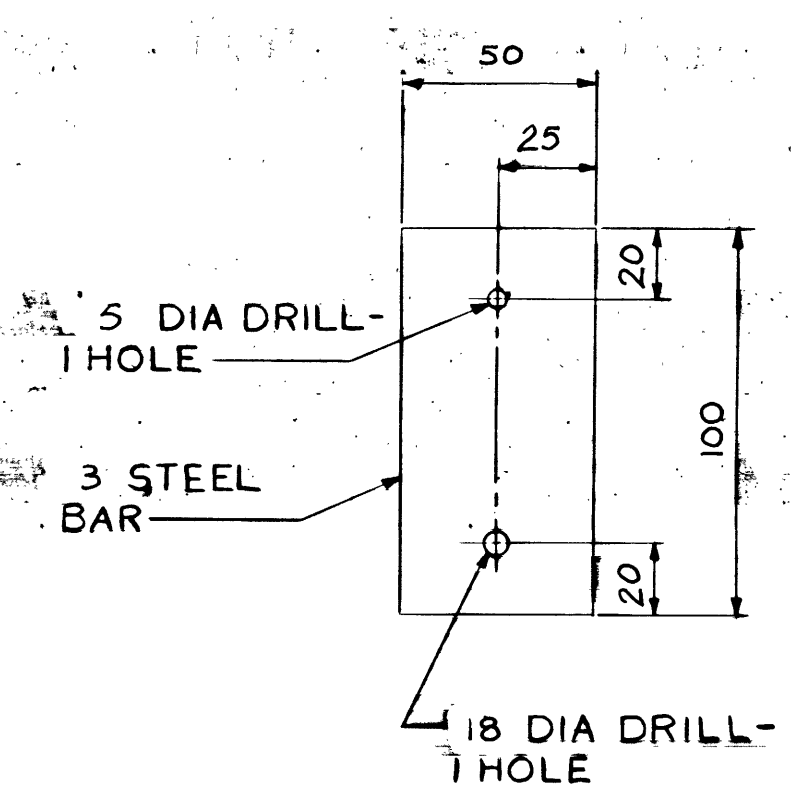
DETAIL 2



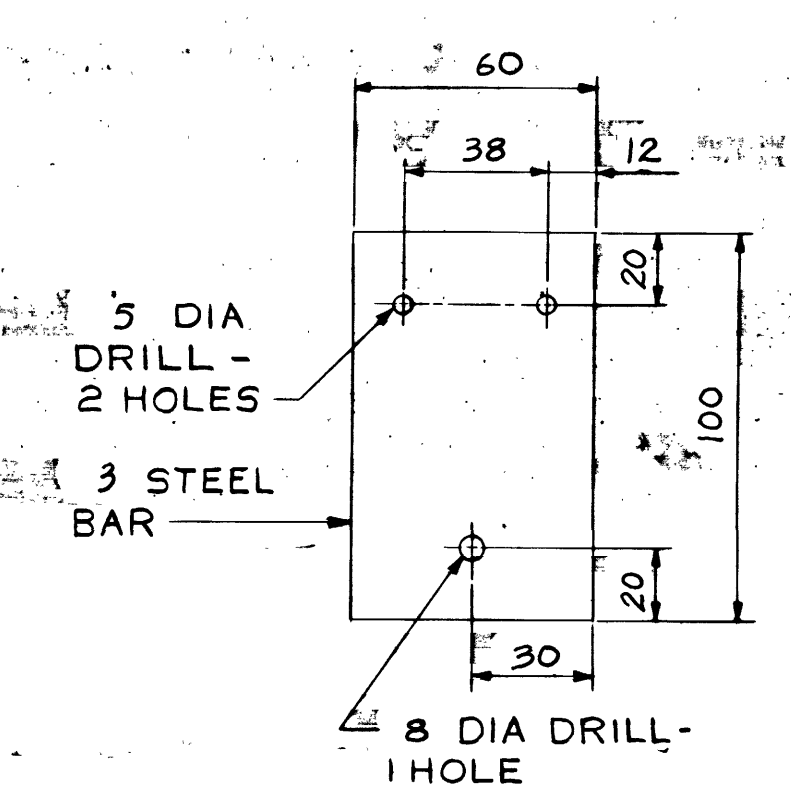
DETAIL 3



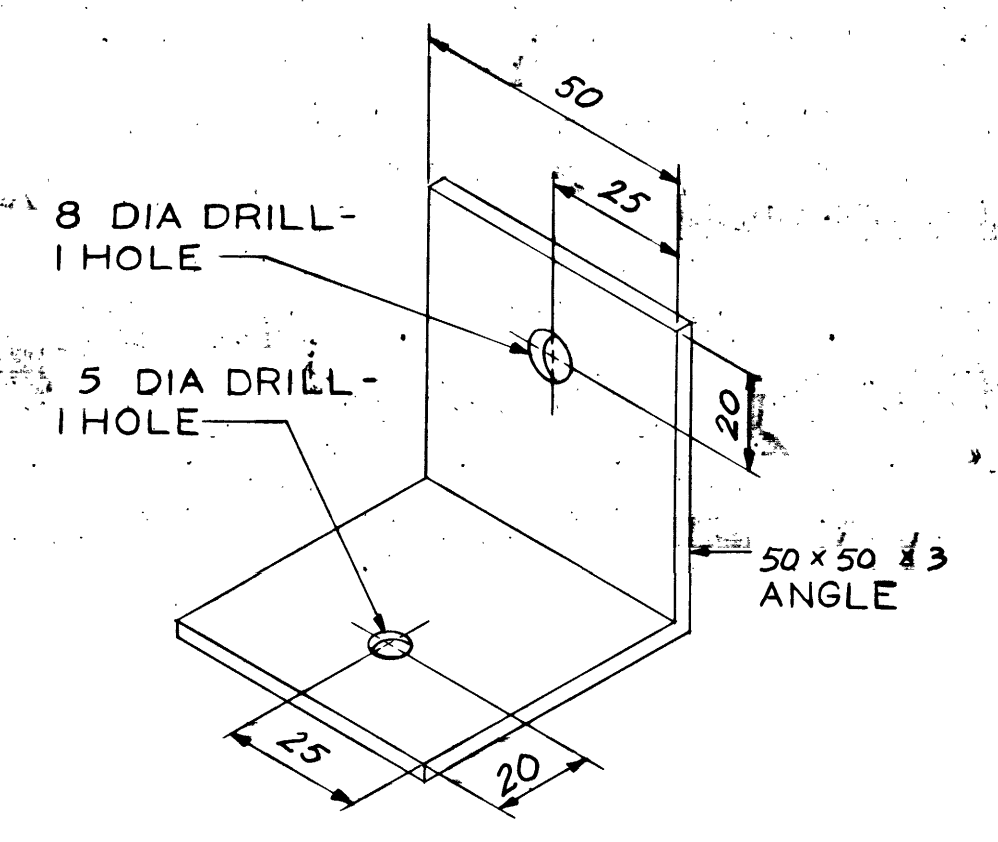
DETAIL 4



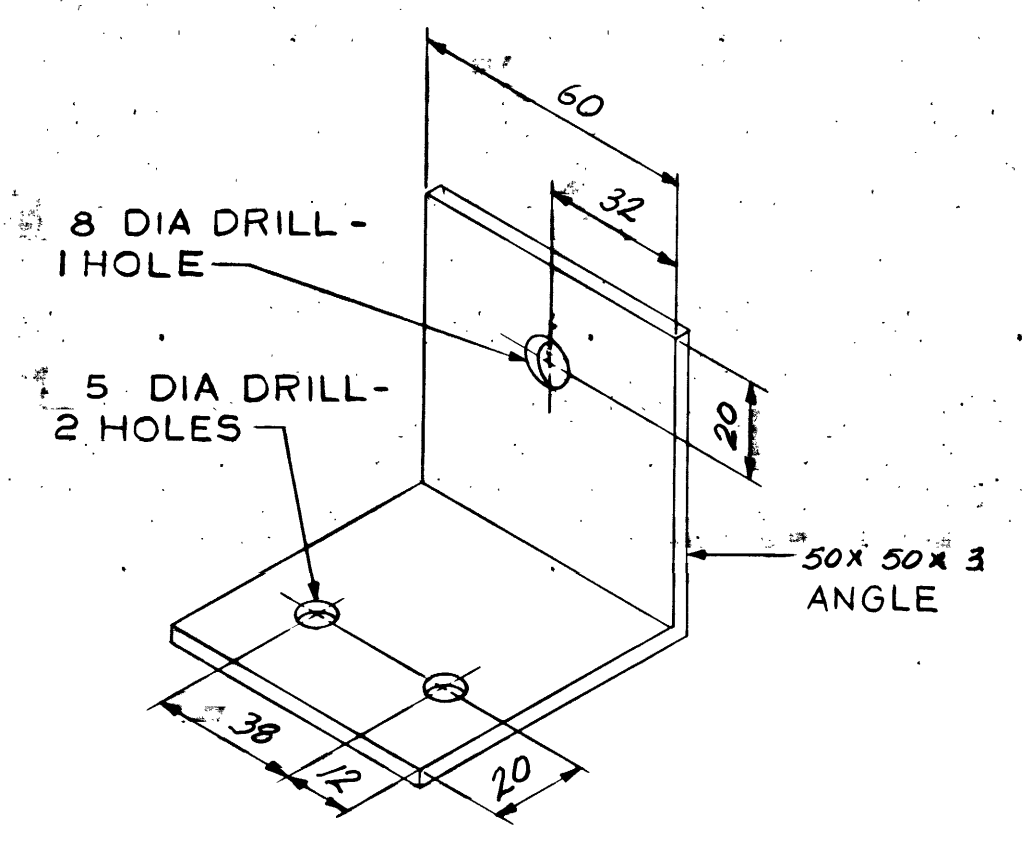
MARK 1



MARK 2



MARK 3



MARK 4

| NO. | DESCRIPTION | DATE | BY |
|-----|---------------------|----------|----|
| 1 | CONVERTED TO METRIC | 81 07 16 | EN |

The City of Winnipeg
Waterworks, Waste and Disposal Division

METERING PIT
STANDARD MANHOLE INSULATING COVER
FABRICATION AND INSTALLATION DETAILS

MICROFILMED 831 080

| | |
|----------------------------|-------------------------|
| DESIGNED BY V.S. | DRAWN BY [Signature] |
| CHECKED BY [Signature] | DATE 28/11/77 |
| APPROVED BY [Signature] | |
| SCALE N.T.S. | DRAWING NO. D-1368 |

METRIC
WHOLE NUMBERS INDICATE MILLIMETRES
DECIMALIZED NUMBERS INDICATE METRES