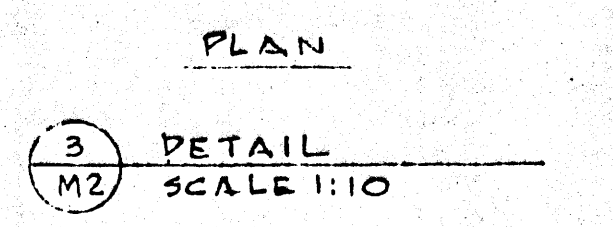
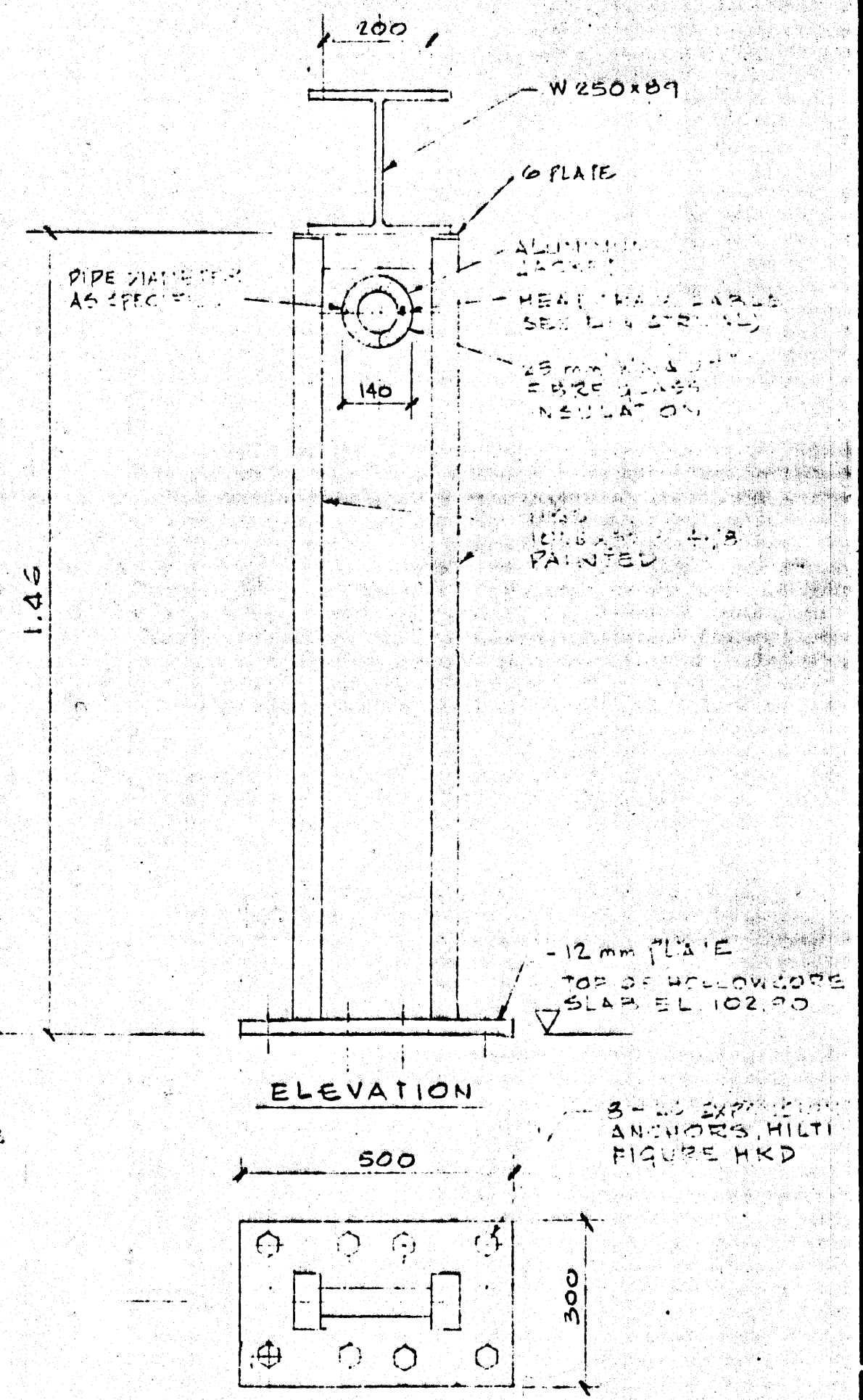
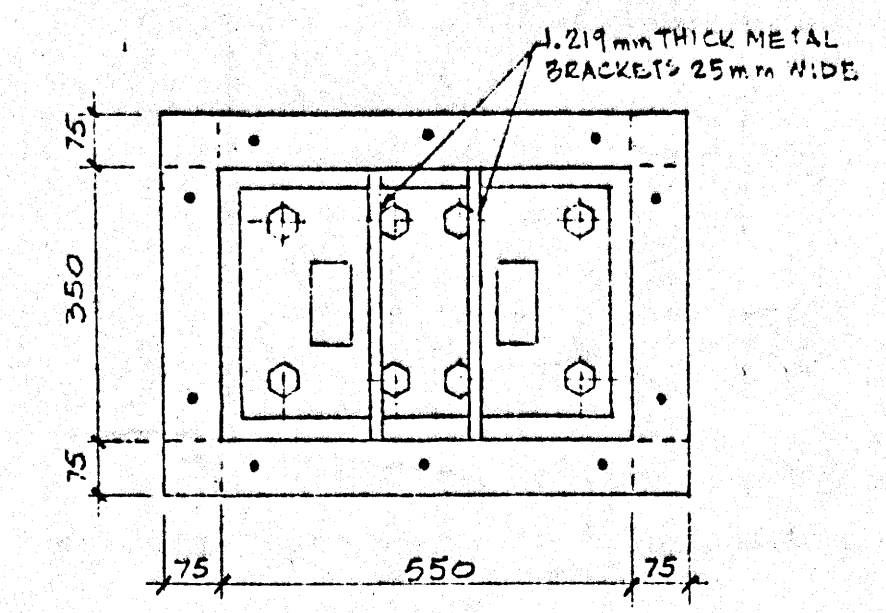
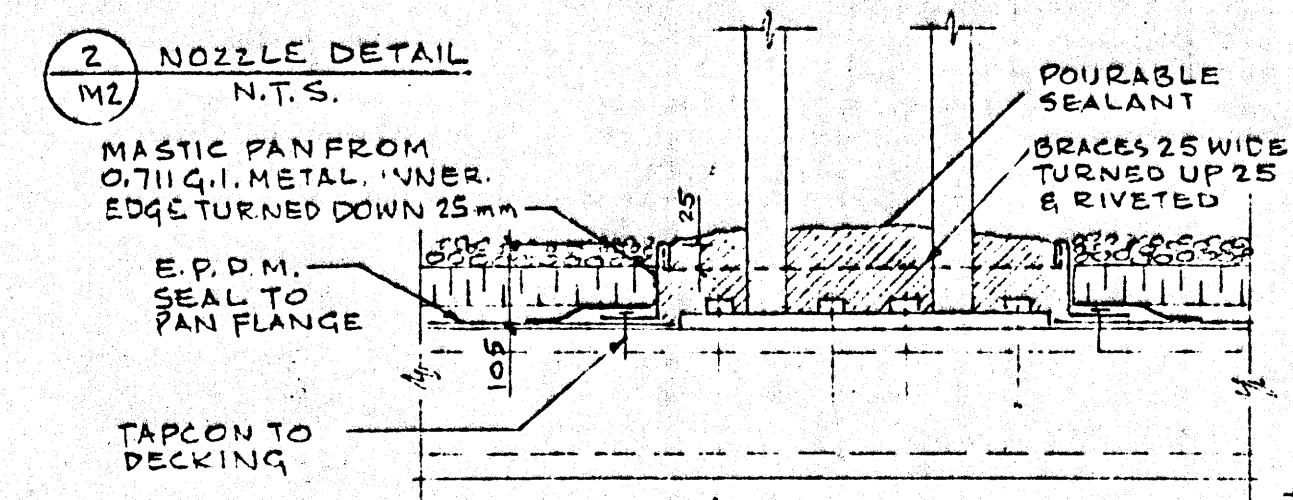
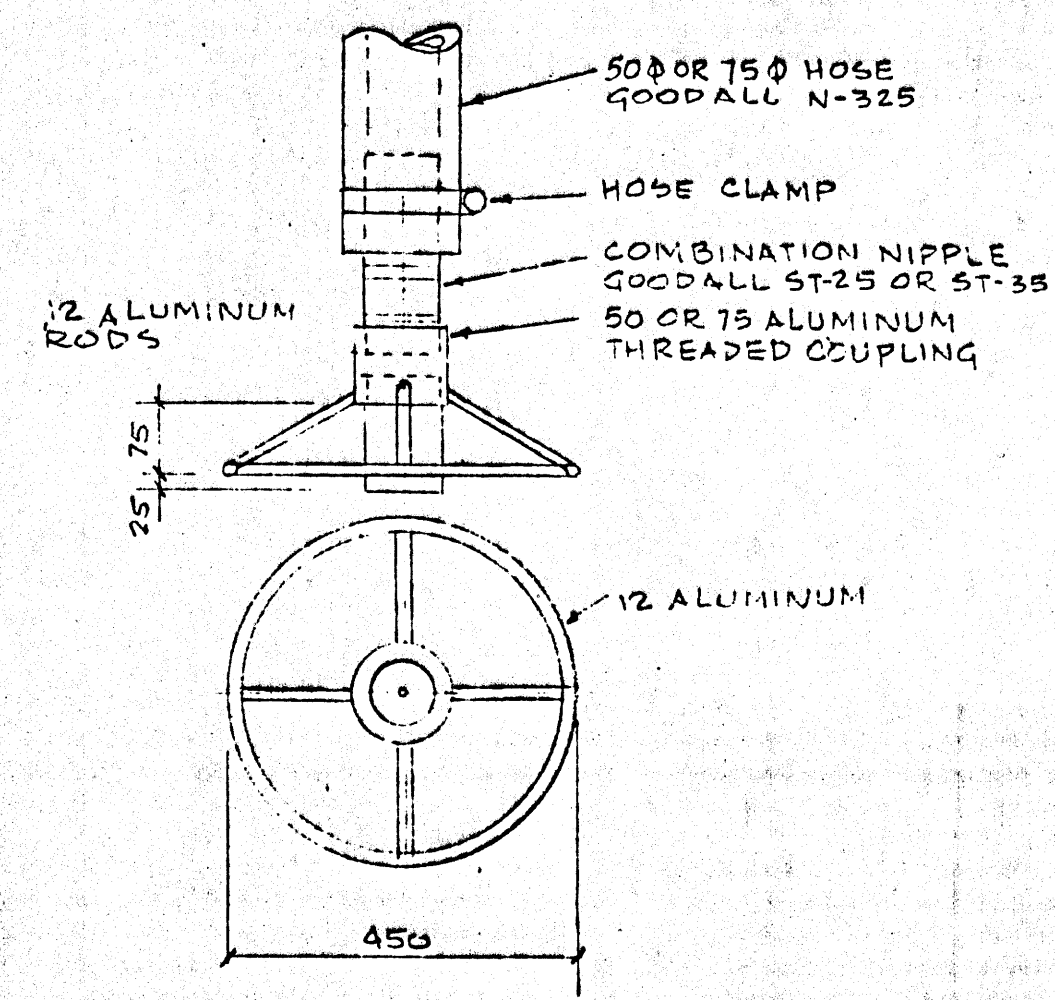
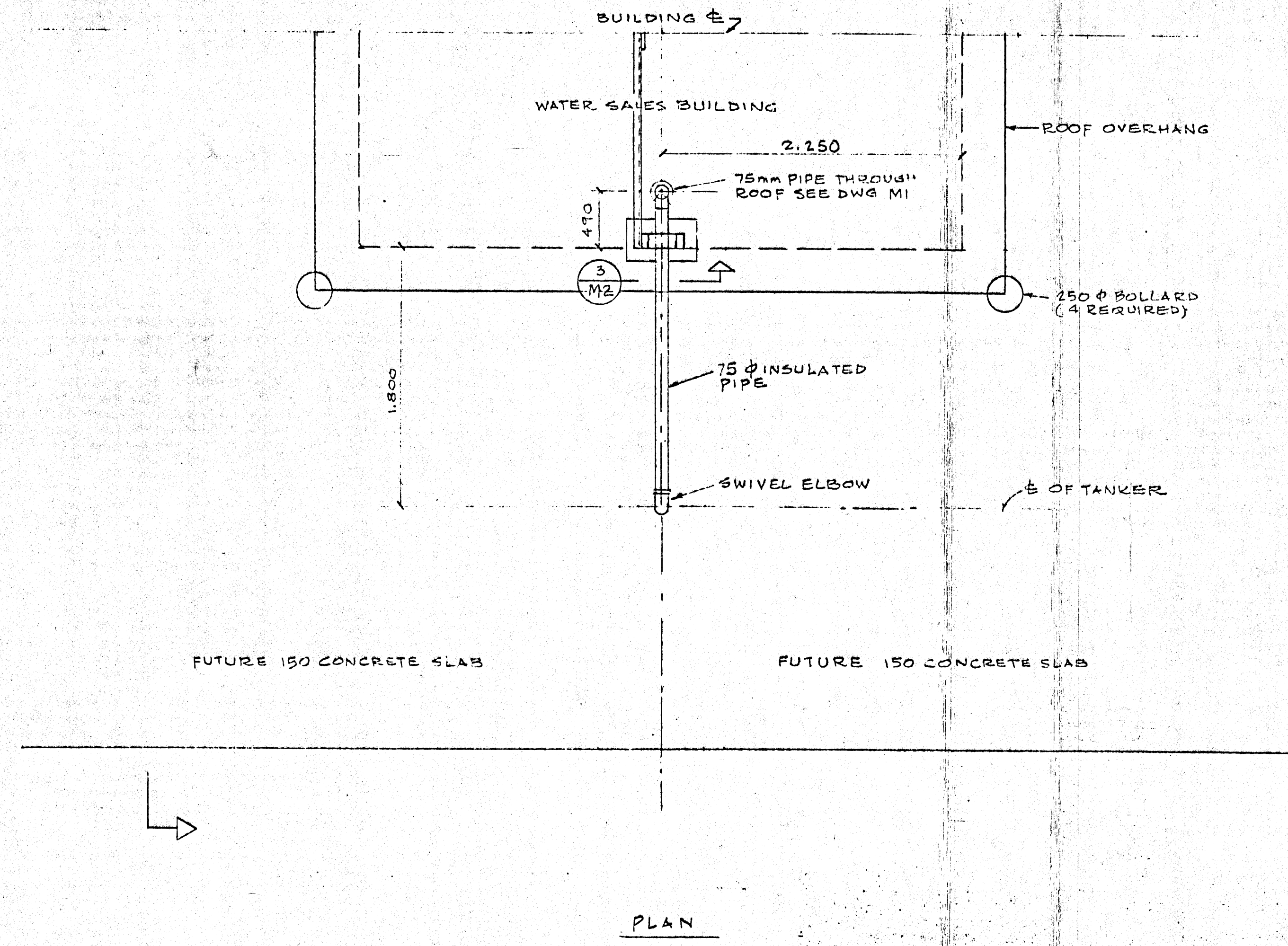


NOTES



NO	REVISION/DESCRIPTION	BY	DATE
2	AS CONSTRUCTED	SS	19/90
1	GENERAL REVISION	SS	7/89

DRAWN BY: [Signature]
 DATE: Aug 14, 89
 CHECKED BY: [Signature]
 USER APPROVAL: [Signature]
 APPROVED: [Signature]

THE CITY OF WINNIPEG
 CIVIC PROPERTIES DEPARTMENT
 4-180 KING ST. R3B3G8

PROJECT
PUBLIC WATER SERVICE OUTLET
 1539 WAVERLEY STREET
 (DISTRICT NO. 6 YARD)

SHEET TITLE
WATER SALES BUILDING
LOADING RACK

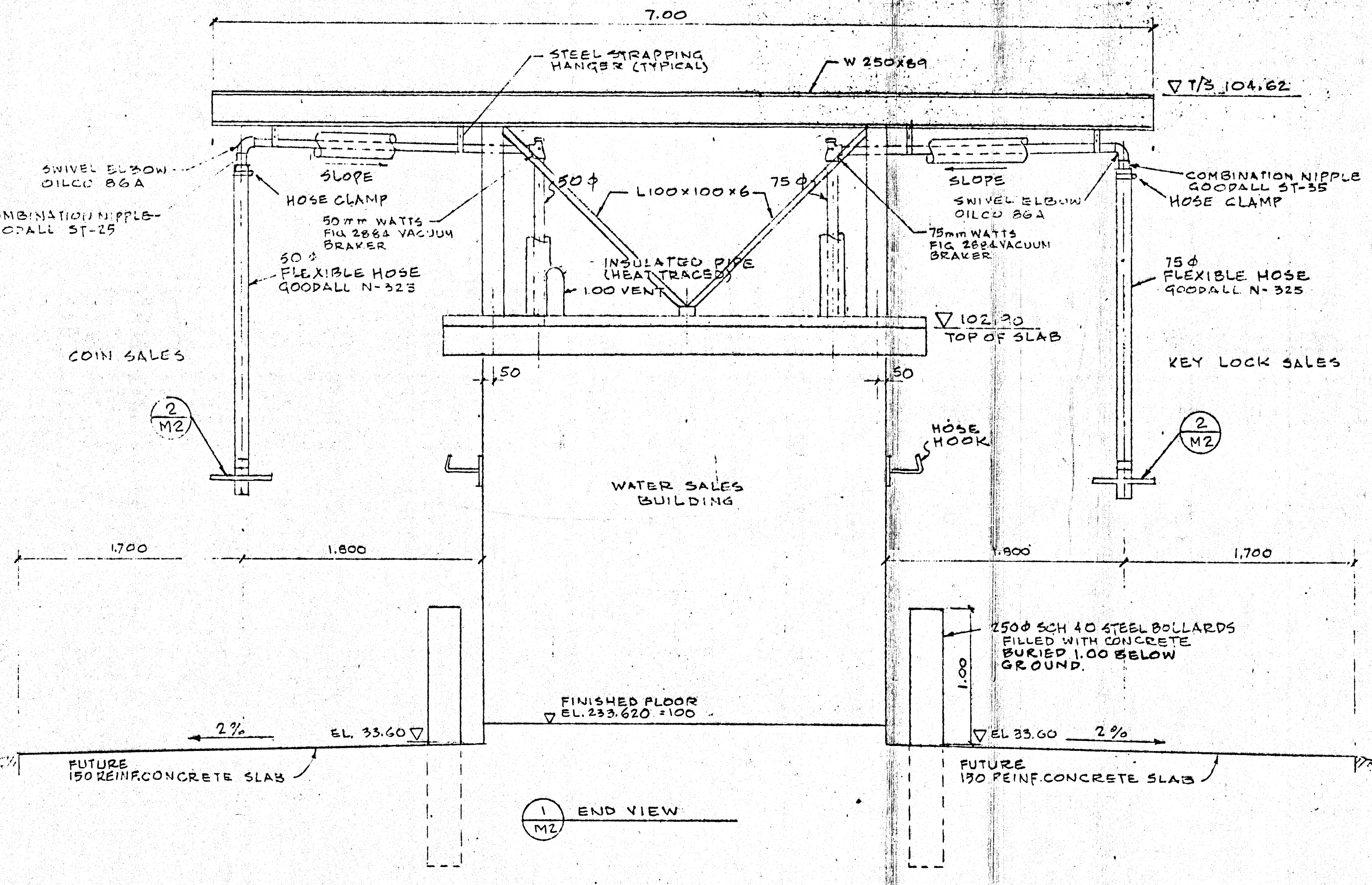
SCALE: 1:25
 PROJECT NO:
 SHEET NO:

(87036-M2)

SW-3750

MANENGO ENGINEERING
 Telephone 885-7251 Winnipeg, Manitoba

Q 1119-89



BUILDING AND STRUCTURAL SUPPORTS BY PALCOR CONSTR. 1989/90
 MECHANICAL PIPING INSTALLED BY W.W.D. 1989/90

SW-3750