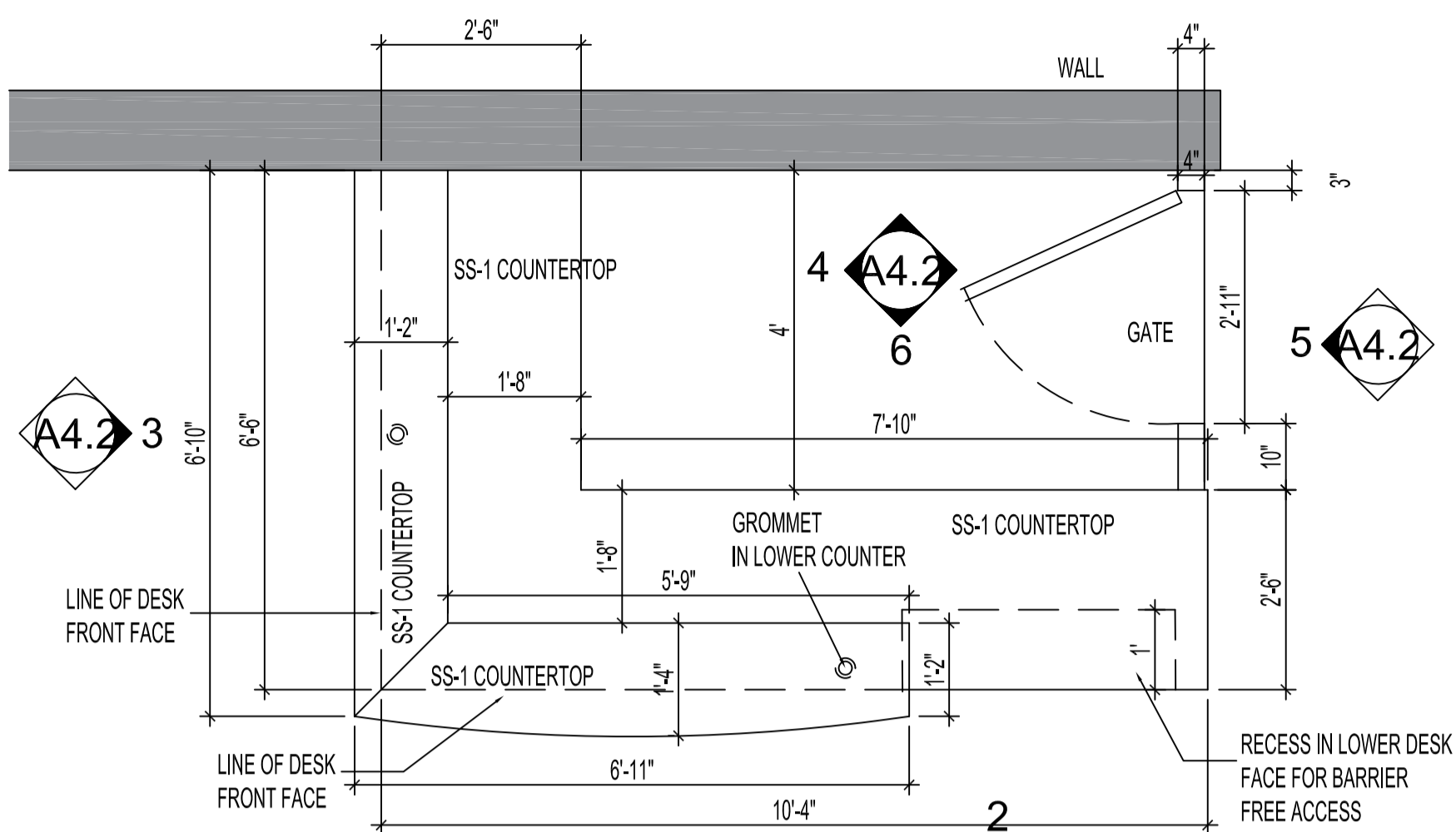
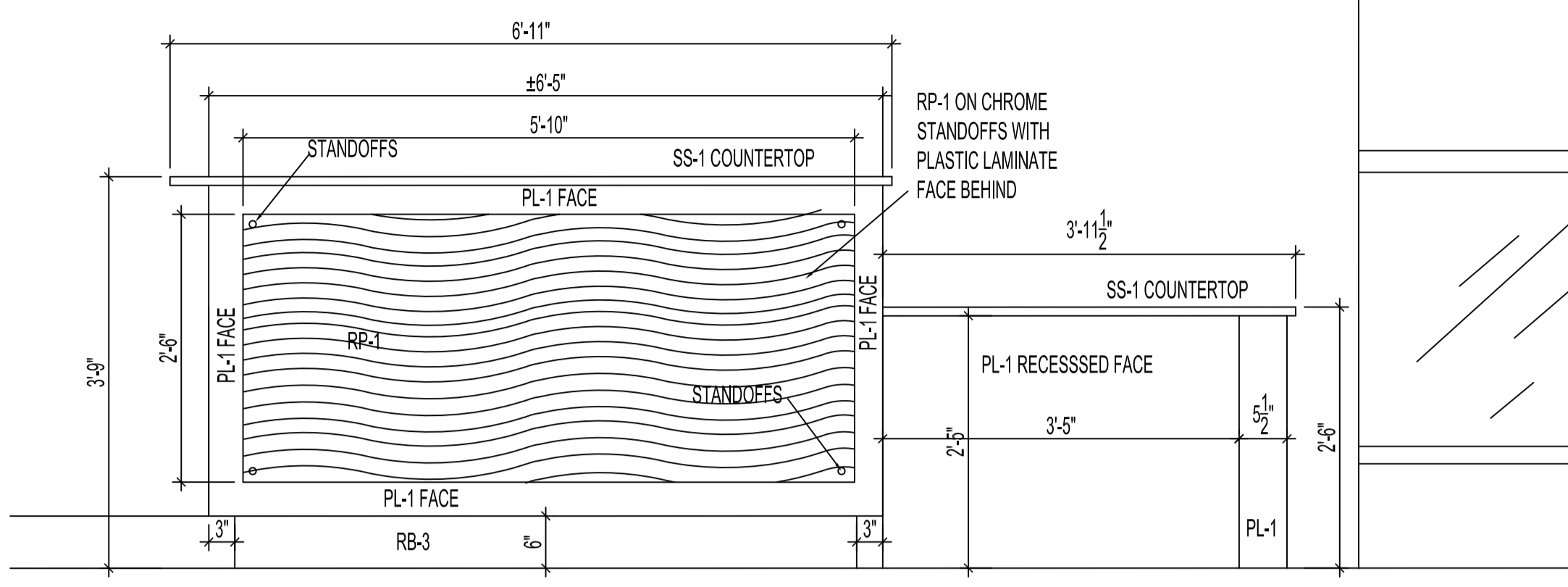


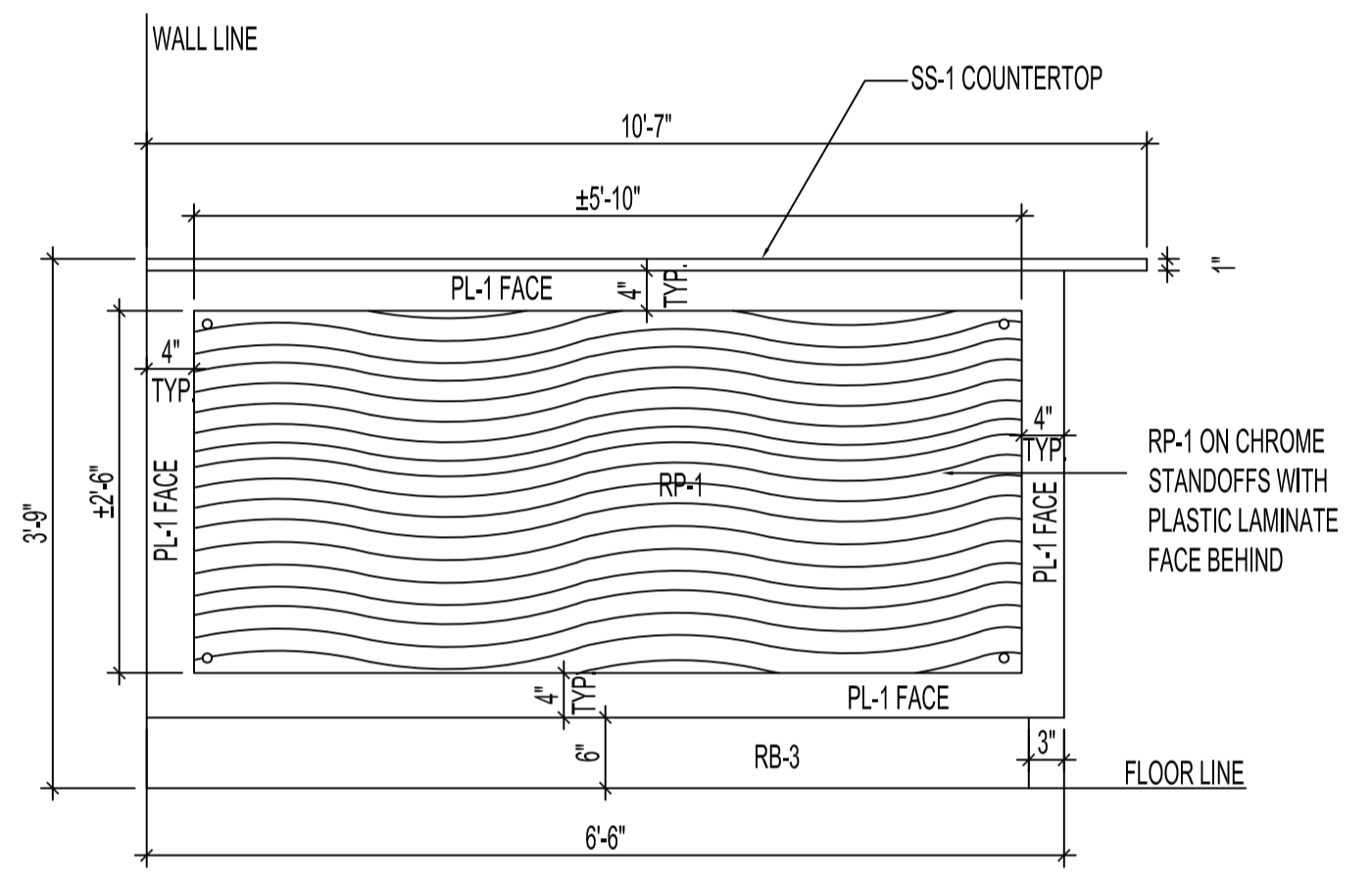
0025PS02.dwg/A3
 DATE: 2016.11.30
 FILE NAME:
 PROJECT No: 2014-148
 SHEET TITLE: AQUATIC HALL OF FAME MUSEUM
 ADDRESS: 25 POSEIDON BAY



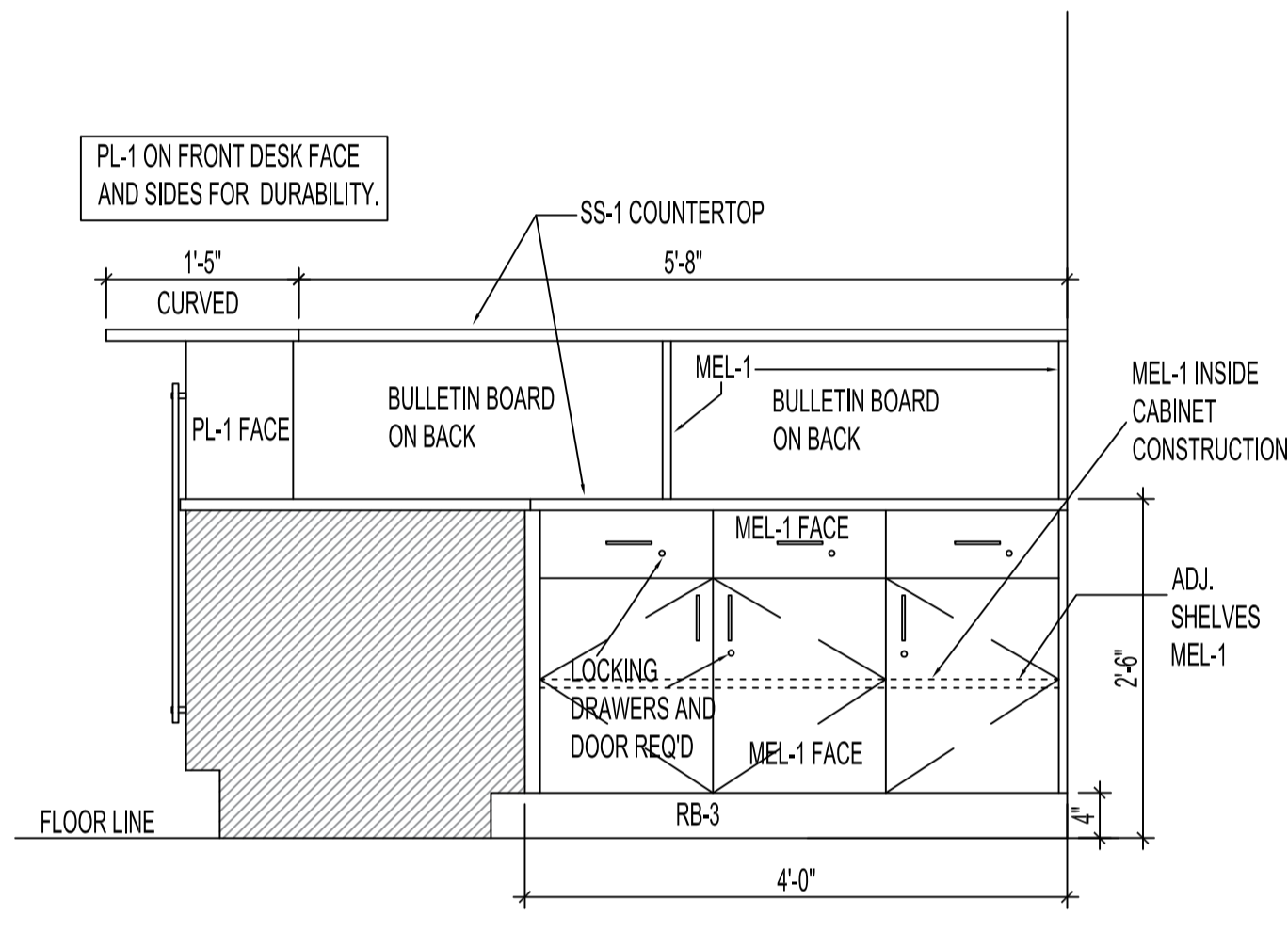
1 INFORMATION DESK - PLAN VIEW
 A4.2 SCALE: 1/2"=1'-0"



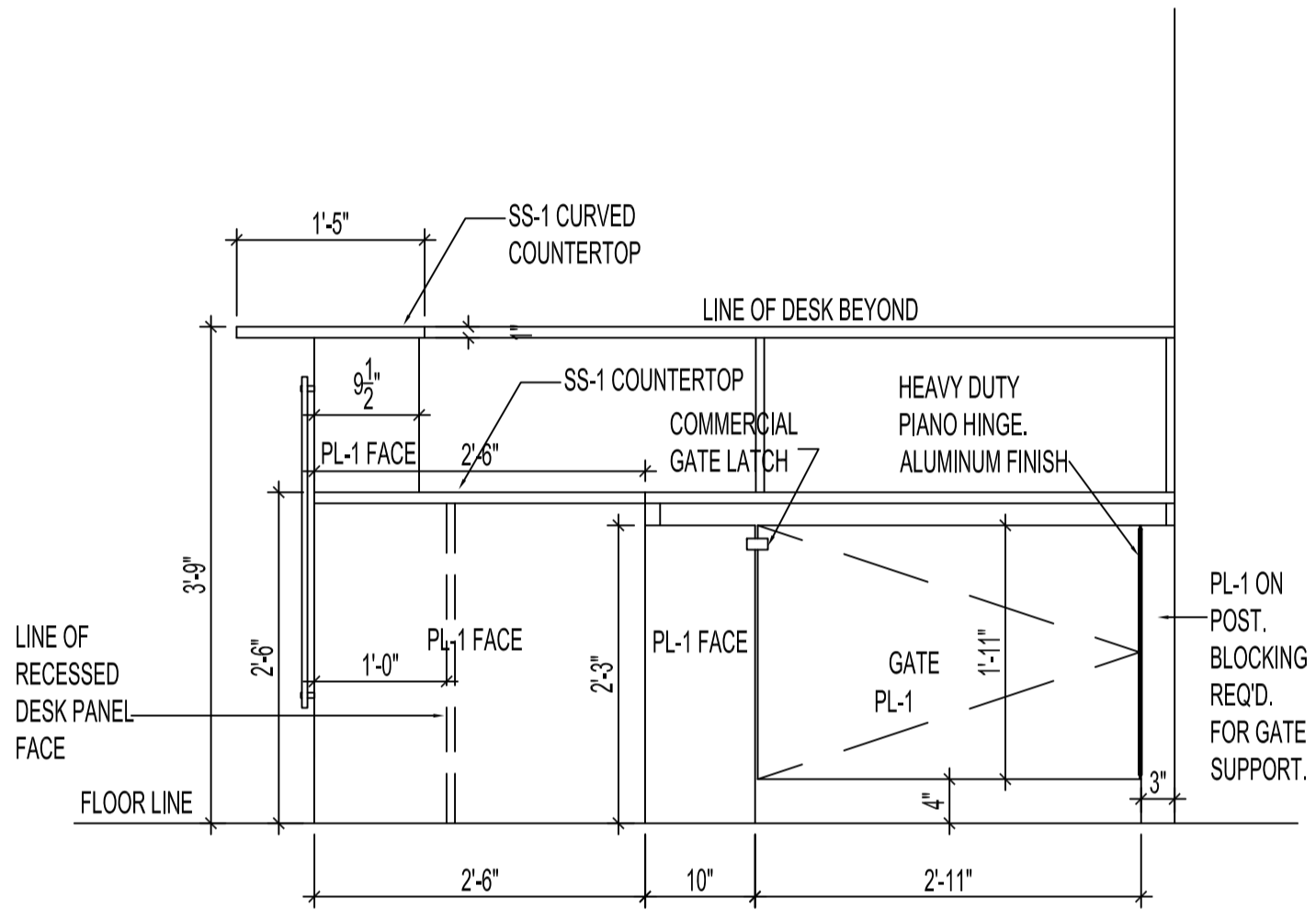
2 INFORMATION DESK FRONT ELEVATION
 A4.2 SCALE: 3/4"=1'-0"



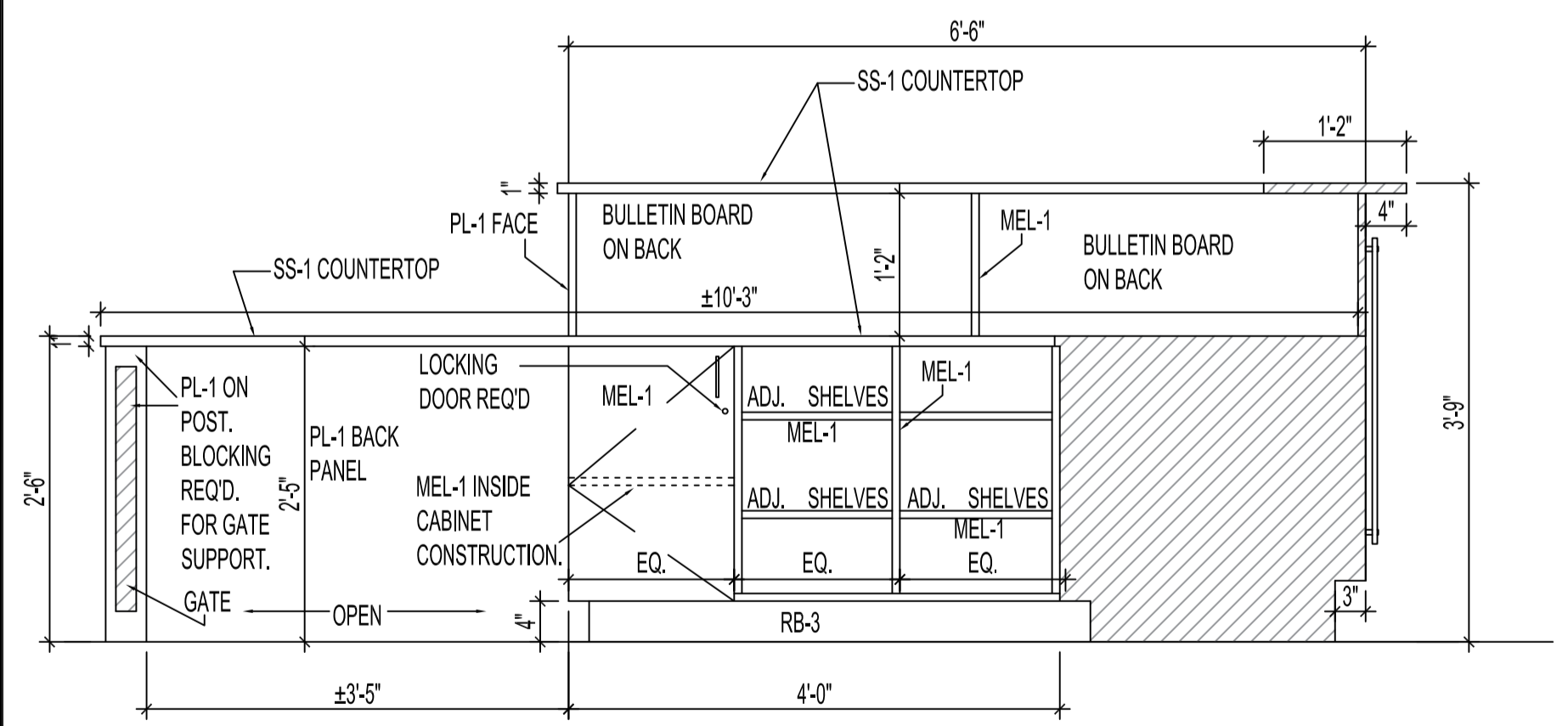
3 INFORMATION DESK SIDE ELEVATION
 A4.2 SCALE: 3/4"=1'-0"



4 INFORMATION DESK REAR ELEVATION
 A4.2 SCALE: 3/4"=1'-0"



5 INFORMATION DESK END ELEVATION
 A4.2 SCALE: 3/4"=1'-0"



6 INFORMATION DESK REAR ELEVATION
 A4.2 SCALE: 3/4"=1'-0"

- DRAWING NOTES**
- STANDARDS OF MATERIAL AND QUALITY OF CONSTRUCTION TO MEET AWMAC STANDARDS.
 - SHOP DRAWINGS TO BE PROVIDED FOR ALL MILLWORK AND DOORS. ALL DISPLAY CABINETS (FIXED AND MOBILE) TO BE CONSTRUCTED OF POPLAR PLYWOOD MATERIALS INSIDE THE CABINETS UNLESS NOTED OTHERWISE AND APPROVED BY THE AQUATIC HALL OF FAME.
 - ALL MAPLE WOOD VENEER DOORS TO BE STAINED CLEAR POLYURETHANE FINISH. TACKBOARD FINISH IN FIXED DISPLAY CABINETS TO BE FORBO BULLETIN BOARD; COLOR 2186 BLANCHED ALMOND. INSTALL WITH MANUFACTURERS LOW VOC RECOMMENDED ADHESIVE ONLY.
 - PROVIDE SAMPLES OF ALL SPECIFIED WOOD. COMPLETE WITH LOW GLOSS AND LOW VOC POLYURETHANE FINISH TO CONTRACT ADMINISTRATOR.
 - ALL FIXED DISPLAY CASE UNITS AND MOBILE DISPLAY CASES TO BE CONSTRUCTED WITH BUTT JOINTS USING NEOPRENE GASKETS OR UV GLUE.
 - TITANIUM DIOXIDE (LOW VOC) PAINT TO BE APPLIED TO OUTSIDE FACE OF BACK PANEL OF ALL FIXED DISPLAY UNITS.
 - ALL DISPLAY CABINETS TO BE CONSTRUCTED OF HIGH DENSITY OVERLAID POPLAR PLYWOOD. NO PARTICLE BOARD, MELAMINE OR MDF PERMITTED.
 - ALL OPENINGS IN GLASS TO BE SEALED WITH NEOPRENE SEALS TO STOP ACCESS OF HUMIDITY AND ANY UV LIGHT BLEED.
 - REFER TO MILLWORK HARDWARE SCHEDULE FOR ALL HARDWARE SPECIFICATIONS.

NOTES:

THESE DRAWINGS SHALL NOT BE SCALED. CONSULT WITH CONTRACT ADMINISTRATOR ON ANY CONCERNS.

SUBMISSION OF SITE MARK-UPS, AS-BUILTS, OPERATING & MAINTENANCE MANUALS AND OTHER SUPPORTING DOCUMENTS TO CONTRACT ADMINISTRATOR ARE MANDATORY AT THE COMPLETION OF THIS PROJECT.

THE CONTRACTOR SHALL VISIT THE SITE AND SATISFY HIMSELF ALL DIMENSIONS, DATUM, AND DETAILED INFORMATION SHOWN ARE CORRECT.

THE CONTRACTOR IS TO REVIEW AND COORDINATE ALL ARCHITECTURAL, STRUCTURAL, MECHANICAL AND ELECTRICAL DRAWINGS FOR ADDITIONAL OPENINGS THROUGH FLOORS, WALLS, AND CEILINGS FOR DUCTS, PIPES & ELECTRICAL RISERS AND ALL OPENINGS NOT SHOWN ON DRAWINGS.

ALL OPENINGS THROUGH FIRE ASSEMBLIES INCLUDING FLOORS AND CEILINGS ARE TO BE FIRE STOPPED AND SEALED WITH UL-C APPROVED FIRE STOPPING TO MAINTAIN THE INTEGRITY OF THE FIRE SEPARATION, AND PROVIDE A SMOKE-TIGHT BARRIER.

ALL PRODUCTS AND MATERIALS TO BE USED AND INSTALLED SHALL CONFORM WITH MANUFACTURERS SPECIFICATIONS, APPLICABLE CODES AND AUTHORITY HAVING JURISDICTION.

THE CONTRACTOR SHALL BE RESPONSIBLE TO PATCH AND MAKE GOOD ALL EXISTING CONSTRUCTION AFFECTED BY THE REMOVAL OF ALL ITEMS FORMING PART OF THE RENOVATION WORK.

WHERE NEW FLOORING AND BASE IS TO BE INSTALLED IN EXISTING AREAS (REFER TO FLOOR PLAN AND ROOM SCHEDULE) THE EXISTING FLOORING SURFACE AND BASE MUST BE REMOVED, UNLESS OTHERWISE NOTED. ALL FLOOR SURFACES SHALL BE PREPARED IN ACCORDANCE TO MANUFACTURERS RECOMMENDATIONS FOR INSTALLATION OF NEW FLOOR.

WHERE PAINTING OF EXISTING WALLS IS INDICATED ON THE ROOM SCHEDULE, THESE WALLS MUST BE CLEANED OF ANY EXISTING WALL COVERING, PATCHED & PREPARED TO ACCEPT NEW MATERIAL, UNLESS OTHERWISE NOTED.

ALL NEW LIGHTING FIXTURES & NEW RECEPTACLES TO BE CONNECTED TO APPROPRIATE PANELS.

THERMOSTATS, FIRE ALARM PULL STATIONS & OCCUPANCY LIGHT SWITCHES SHALL BE MOUNTED 47" ABOVE FINISHED FLOOR UNLESS OTHERWISE NOTED.

ALL ABANDONED ELECTRICAL FIXTURES, COMPONENTS, RECEPTACLE & DATA WIRING SHALL BE REMOVED BACK TO SOURCE & TERMINATED AS PER APPLICABLE CODES. IF APPLICABLE, THIS INCLUDES WIRING CONTAINED IN HEADER DUCTS IN-FLOOR.

REFER TO CITY OF WINNIPEG, MATERIALS MANAGEMENT GENERAL TERMS & CONDITIONS FOR PROJECT: [HTTP://WINNIPEG.CA/MATMGENTM_COND.STM](http://WINNIPEG.CA/MATMGENTM_COND.STM)

1	ISSUED FOR ADDENDUM	DEC 6/16
0	ISSUED FOR CONSTRUCTION	NOV 28/16
No.	REVISION/DESCRIPTION	BY DATE



DRAWN	CHECKED	DESIGNED	APPROVED
DATE 2016.11.30	USER	APPROVAL	

THE CITY OF WINNIPEG
 PLANNING, PROPERTY AND
 DEVELOPMENT DEPARTMENT
 MUNICIPAL ACCOMMODATIONS DIVISION
 3-65 GARRY STREET, R3C 4K4

PROJECT
 AQUATIC HALL OF FAME MUSEUM
 ROYAL GALLERY SPACE RESTORATION

25 POSEIDON BAY
 BID OPP # 936-2016
 SHEET TITLE

MILLWORK DETAILS

SCALE	PROJECT No:	SHEET No:
AS SHOWN	2014-148	A4.2

DRAWING SHEET SIZE: A1 (841mm x 594mm) PLOT 1:1