

ADDRESS: 25 POSEIDON BAY PROJECT No: SHEET TITLE: AQUATIC HALL OF FAME MUSEUM DATE: 2016.11.28 FILE NAME: 0025P502.dwg/A3

MILLWORK HARDWARE SCHEDULE

MOBILE DISPLAY CABINET DRAWER SLIDES:
ACCURIDE SIDE MOUNTED #9301 HEAVY DUTY STEEL FULL EXTENSION SLIDES WITH GANG LOCK MECHANISM AND ANTI TIP MECHANISM REQUIRED. 30" LONG TO SUIT DRAWERS.

DISPLAY CASE DOOR FRAMES:
CR LAURENCE/BLUMCRAFT SERIES 1301-SM DISPLAY CASE DRAWERS WITH SURFACE MOUNTED TOP AND BOTTOM PIVOTS AND 7150 LEVER TYPE CAM LOCK REQ'D. FOR 1/2" THICK TEMPERED GLASS. SATIN ANODIZED FINISH.

DISPLAY CABINET SHELVING SYSTEM HARDWARE:
CR LAURENCE FLOOR TO CEILING VERTICAL CABLE SYSTEM KIT CONSISTING OF: #Y003 CR FOR 3/8" TO 1/2" THICK GLASS KIT - 4 REQUIRED
KIT INCLUDES 15 FT STAINLESS STEEL CABLE, TOP SWIVEL FITTING, AND BOTTOM ANCHOR
#Y031CR CRL HORIZONTAL SHELF CONNECTORS
#Y033CR CRL DRILL THRU SHELF SUPPORTS
#Y033TR CRL TRIM RING
#Y0310 CRL DUAL THREADED SCREW

DRAWER HANDLES:
RICHELIEU #2102128174- MATTE CHROME FINISH

CABINET DOOR HINGES:
BLUM CLIP 170 DEGREES SELF CLOSING NICKEL FINISH

CASTORS:
CASTORLAND # BLLKPA-TA-80-FI-FK
3 1/8" RUBBER LOCKING CASTOR. CONFIRM CASTOR TYPE IS SUITABLE FOR MOBILE CABINET DESIGN AND FLOORING.

STANDOFFS:
RICHELIEU 3/4" Ø STANDOFF BASE # GMSOB341SC
RICHELIEU 3/4" Ø STANDOFF CAP # GMSOCAP34SC
RICHELIEU HANGER BOLT TO SUIT VARIOUS PANEL THICKNESSES
FINISH- SATIN CHROME.

GROMMETS FOR INFORMATION DESK:
3" Ø SATIN CHROME FINISH INTO SOLID SURFACE TOP.

DRAWER AND DOOR LOCKS:
CAM LOCKS- SATIN CHROME FINISH

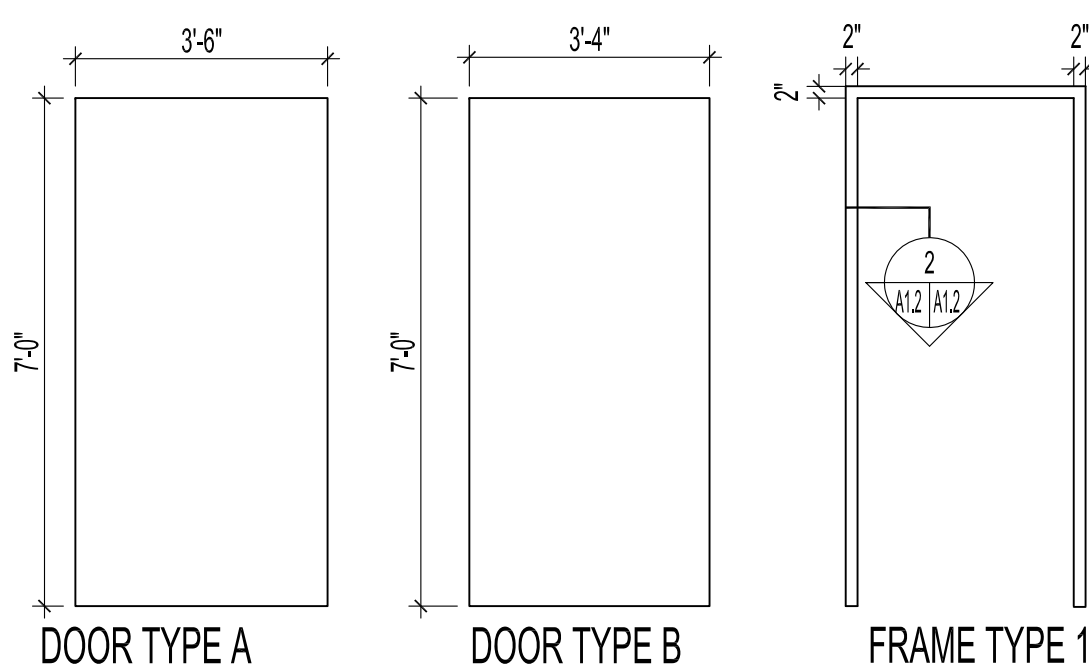
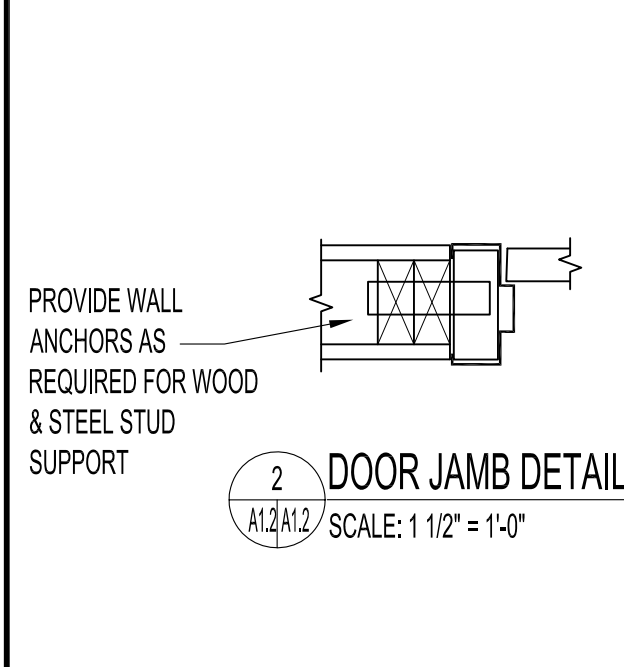
INFORMATION DESK GATE HINGE:
HEAVY DUTY PIANO HINGE- SATIN CHROME FINISH

GLAZING SCHEDULE

TYPE G1- DISPLAY CABINET DOORS
10mm THICK LAMINATED SAFETY GLASS COMPLETE WITH PVB INTERLAYER WITH POLISHED EDGES

TYPE G2- DISPLAY CABINET GLASS SHELVES
6mm THICK TEMPERED GLASS COMPLETE WITH WITH POLISHED EDGES.

1 TYPE G3- MOBILE DISPLAY CABINET PLEXIGLASS "CUBE"
3 SIDED "CUBE".
3/8" THICK UV PLEXIGLASS; # GUF-4 ON SIDES WITH 1/4" THICK UV PLEXIGLASS # GUF-3 ON TOP .



ROOM FINISH SCHEDULE

ROOM NO.	ROOM NAME	FLOOR	BASEBOARD	NORTH WALL	SOUTH WALL	EAST WALL	WEST WALL	CEILING	CEILING HEIGHT	NOTES
MAIN FLOOR										
100	VESTIBULE		EXIST.					EXIST.	8'-0"	
101	LOBBY	SVF-1	RB-2	EXIST.	EXIST.	EXIST.	EXIST.	EXIST.	31'-0"	
SECOND FLOOR										
200	MUSEUM ENTRY/GALLERY SPACE	SVF.	RB-1	PT-3	PT-3	PT-1	NA	EXIST./ACP-1/PT-2	21'-4"	EXISTING BULKHEAD PAINTED PT-7
201	GALLERY DISPLAY	CPT-1	RB-1	PT-1	PT-3	PT-1	PT-1	EXIST./PT-2	21'-4"	EXISTING METAL CEILING DECK
202	PROCESSING ROOM	VCT-1	RB-1	PT-5	PT-5	PT-5	PT-5	GYP. BD./PT-7	±17'-0"	CEILING INSTALLED AT U/S OF JOISTS
203	GALLERY DISPLAY	CPT-1	RB-1	PT-3	PT-1	PT-1	PT-1	EXIST./PT-2	21'-4"	EXISTING METAL CEILING DECK
204	CORRIDOR	CPT-1	RB-1	PT-1	PT-1	PT-1	PT-1	ACT-1	9'-0"	
205	UNIVERSAL TOILET ROOM	QT-1	CT-1	CT-1/CT-2/PT-4	CT-1/CT-2/PT-4	CT-1/CT-2/PT-4	CT-1/CT-2/PT-4	ACT-1	8'-6"	
206	UNIVERSAL TOILET ROOM	QT-1	CT-1	CT-1/CT-2/PT-4	CT-1/CT-2/PT-4	CT-1/CT-2/PT-4	CT-1/CT-2/PT-4	ACT-1	8'-6"	
207	MEETING ROOM/OFFICE	CPT-1	RB-1	PT-5	PT-5	PT-4	PT-5	ACT-1	11'-6"	
208	ARTIFACT HOLDING	EXIST.	RB-1	EXIST.	EXIST.	EXIST.	PT-5	EXIST./PT-2	21'-4"	EXISTING METAL CEILING DECK
ABBREVIATIONS										
ACT-1: ACOUSTIC TILE CPT-1: 2" X 2" CARPET TILE CT-1: CERAMIC WALL TILE GYP. BD.: GYPSUM BOARD PT-1: PAINT										
QT-1: QUARRY FLOOR TILE SVF-1: SHEET VINYL FLOOR RB-1: RUBBER BASE RCB-1: RUBBER COVERED BASE R/F-1: RUBBER FLOORING VCT-1: VINYL COMPOSITE TILE										

DOOR SCHEDULE

DOOR NO.	DOOR			FRAME			RATING	HARDWARE GROUP	NOTES	
	TYPE	WIDTH	HEIGHT	THICK.	MAT'L.	FINISH				TYPE
D-100A	EXISTING		EXISTING		AL		AL			
D-100B					AL		AL			
D-100C					AL		AL			
D-100D					AL		AL			
D-100E					AL		AL			
D-100F					AL		AL			
D-200A					HCM	PT	PS	PT		
D-200B					HCM	PT	PS	PT		
D-201	EXISTING		EXISTING		AL		AL			
D-202	EXISTING		EXISTING		HCM	PT-8		PT-8		
D-203	EXISTING		EXISTING		AL		AL			
D-205	B	3'-4"	7'-0"	1 1/2"	SCW	ST	1	PS	PT-6	TYPE 3
D-206	B	3'-4"	7'-0"	1 1/2"	SCW	ST	1	PS	PT-6	TYPE 3
D-207	B	3'-4"	7'-0"	1 1/2"	SCW	ST	1	PS	PT-6	TYPE 1
D-208	A	3'-6"	7'-0"	1 1/2"	HCM	PT-9	1	PS	PT-6	TYPE 2
ABBREVIATIONS										
AL-ALUMINUM HCM-HOLLOW CORE METAL SCW-SOLID CORE WOOD PS-PRESSED STEEL PT-PAINT PT-9 -PAINT #9 ST-STAIN										

DOOR AND HARDWARE NOTES

- CAULK ALL DOOR FRAMES PRIOR TO PAINTING.
- PROVIDE LEVER SETS SCHLAGE "SATURN" OR APPROVED EQUAL IN ACCORDANCE WITH B7.
- FOR DOOR HARDWARE FINISH TO BE BRUSHED ALUMINUM OR SIMILAR.
- DOOR HARDWARE TO BE MEDIUM DUTY GRADE, EQUAL TO SCHLAGE COMMERCIAL MEDIUM DUTY GRADE.
- ALL CYLINDER KEYWAYS TO BE SUPPLIED, INSTALLED & KEYPED BY THE CONTRACTOR.
- PROVIDE (3) THREE KEYS FOR EVERY LOCK.
- STAMP KEYING CODE NUMBERS ON KEYS & CYLINDERS.
- NEW DOOR OPERATORS TO BE: HORTON 7100LE
APPROVED EQUAL: NABCO/GyroTech GT 710 IN SWING STANDARD DUTY AUTOMATIC DOOR OPERATOR.
- EXISTING DOUBLE DOORS & ALL HARDWARE D202 TO BE SALVAGED & RELOCATED. CONFIRM WITH CONTRACT ADMINISTRATOR.
- SOLID CORE WOOD DOORS TO BE MAPLE VENEER STAINED CLEAR (ST). PROVIDE STAIN SAMPLE TO CONTRACT ADMINISTRATOR FOR APPROVAL.

HARDWARE SCHEDULE

- TYPE 1 - OFFICE**
3 EACH HINGES 3CB1 4.5 x 4.652 IVE BRUSHED CHROME.
1 EACH LOCKING LEVER HANDLE
1 EACH ENTRANCE LOCK AL53PDSAT 626 SCH
1 EACH DOME STOP FS438 626 IVE
- TYPE 2 - STORAGE**
3 EACH HINGES 3CB1 4.5 x 4.652 IVE BRUSHED CHROME.
1 EACH LOCKING LEVER HANDLE
1 EACH ENTRANCE LOCK AL53PDSAT 626 SCH
1 EACH DOME STOP FS438 626 IVE
305mm STAINLESS STEEL KICKPLATES -BOTH SIDES
- TYPE 3 - WASHROOMS**
4 HINGES CB179 4 1/2 x 4 26D CST
1 LOCKSET ND80PD RHO 50-210-MK 626 CSC
1 ELECTRIC STRIKE 5100-3FP SP28 CVO
1 AUTO OPERATOR 7100LE 628 HOAS
1 KICKPLATE GSH 80A 305 x 990 C32D CGA
1 WALL STOP GSH 240 C28D CGA
1 RESTROOM CONTROL CX-WC11 CAMS
2 FULL HEIGHT ACTUATOR 1-36-5 INGRESS'R 628 VA01
NOTE: USE MODEL 1-36-3 x CLEAR ANODIZED FINISH
- PUSH BUTTON & ANNUNCIATOR SYSTEM:**
CX-33 ADVANCED LOGIC CONTROL
CM-400/8 MUSHROOM (PUSH TO LOCK) BUTTON
CM-AF500 SINGLE GANG LED ANNUNCIATOR
CX-MDC MAGNETIC DOOR CONTACT

FINISH LEGEND

- ACT-1: ACOUSTIC CEILING TILE
CGC CEILINGS; MARS CP 3/4" SLT #86684
COLOR: WHITE
SIZE: 24"x24"
GRID: CGC DONN DX 15/16" CONCEALED SUSPENSION SYSTEM
- ACP-1: ACRYLIC CEILING PANELS
CGC TRANSLUCENT CANOPIES
WAVE PROFILE; 2'X6' 2 PANELS KIT
PANEL COLOR: SANTORINI
TO BE MOUNTED FROM STRUCTURE. PROVIDE ALL NECESSARY PANEL CLIPS AND ACCESSORIES REQUIRED.

FINISH LEGEND

CPT-1: CARPET TILE
SHAW CONTRACT-SHAPE TILE # 5T070; 24"x24" TILE
COLOR: SPACE 69500
INSTALLATION: ASHLAR METHOD. REFER TO DRAWING A1.4 FOR DIRECTION
100% SOLUTION DYED; LIFETIME COMMERCIAL LIMITED WARRANTY
CONTRACTOR TO PROVIDE 3% EXTRA MATERIAL
TO BE INSTALLED OVER UNDERCUSHION UC-1.

CT-1: CERAMIC WALL TILE-ACCENT
JULIAN TILE LUMINA SERIES- CURVED GLASS- # LWHCU1030G
SIZE: 10"x 30"
GROUT: COLOR TBD
INSTALLATION: HORIZONTAL- REFER TO ELEVATIONS.
CONTRACTOR TO PROVIDE 3% EXTRA MATERIAL

CT-2: CERAMIC WALL TILE- FIELD
JULIAN TILE LUMINA SERIES- WHITE GLOSS- # LWH1030G
SIZE: 10"x 30"
GROUT: COLOR TBD
INSTALLATION: HORIZONTAL- REFER TO ELEVATIONS.
CONTRACTOR TO PROVIDE 3% EXTRA MATERIAL

CG-1: CORNER GUARDS
JOHNSONITE # VBG-40-48 1 1/2" WIDE BLACK; 4 FT HIGH

MEL-1: MELAMINE
MELAMINE PANEL TO MATCH WILSONART MANITOBA MAPLE
#7911-60 LAMINATE

PL-1: PLASTIC LAMINATE
WILSONART MANITOBA MAPLE #7911-60

PL-2: PLASTIC LAMINATE
WILSONART 6257-(419) SATIN BRUSHED ALUMINUM

PT-1: PAINT
PRODUCT: DULUX PAINTS LIFEMASTER 100% ACRYLIC LATEX
COLOR: 00NN 07/000 DEEP ONYX
FINISH: EGGHELL- 2 FINISH COATS REQ'D. TINTED PRIMER MAY BE REQUIRED ON NEW DRYWALL WALLS.
LOCATION: WALLS AS INDICATED

PT-2: PAINT
PRODUCT: GLIDDEN PAINTS SPRAYMASTER 10105 LATEX PREMIXED PAINT
COLOR: BLACK
LOCATION: METAL CEILING DECK AND TRUSSES, METAL HVAC DUCTS, PIPES
APPLY AS PER MANUFACTURERS SPECIFICATIONS.

PT-3: PAINT
PRODUCT: DULUX PAINTS LIFEMASTER 100% ACRYLIC LATEX
COLOR: TO MATCH BENJAMIN MOORE COLOR # 2055-20 PACIFIC OCEAN BLUE
FINISH: EGGHELL- 2 FINISH COATS REQ'D. TINTED PRIMER MAY BE REQUIRED ON NEW DRYWALL WALLS. FLAT FINISH REQUIRED ON DUNE WALL PANELS.
LOCATION: WALLS AS INDICATED

PT-4: PAINT
PRODUCT: DULUX PAINTS LIFEMASTER 100% ACRYLIC LATEX
COLOR: COSMIC BLUE 30BG 21/301
FINISH: PEARL IN UNIVERSAL TOILET ROOMS; EGGHELL IN OFFICE
1 PRIMER COAT, 2 FINISH COATS REQ'D.
LOCATION UNIVERSAL TOILET ROOMS AND OFFICE

PT-5: PAINT
PRODUCT: DULUX PAINTS LIFEMASTER 100% ACRYLIC LATEX
COLOR: TOASTY GREY 30YY 51/098
FINISH: EGGHELL 1 PRIMER COAT, 2 FINISH COATS REQ'D.
LOCATION: OFFICE/ MEETING ROOM

PT-6: PAINT
PRODUCT: DULUX PAINTS LIFEMASTER 100% ACRYLIC LATEX
COLOR: OBSIDIAN GLASS 00NN 13/000
FINISH: SEMIGLOSS-1 PRIMER COAT, 2 FINISH COATS REQ'D.
LOCATION: METAL DOOR FRAMES
REFER TO DOOR FINISH SCHEDULE

PT-7: PAINT
PRODUCT: DULUX PAINTS LIFEMASTER 100% ACRYLIC LATEX
COLOR: TREASURED MOMENT 40YY 83/043
FINISH: FLAT 1 PRIMER COAT ON NEW DRYWALL, 2 FINISH COATS REQ'D.
LOCATION: EXISTING BULKHEAD IN GALLERY SPACE;
PROCESSING ROOM CEILING

PT-8: PAINT
PRODUCT: DULUX PAINTS LIFEMASTER 100% ACRYLIC LATEX
COLOR: 00NN 07/000 DEEP ONYX
FINISH: SEMIGLOSS - 1 COAT PRIMER; 2 FINISH COATS REQ'D.
LOCATION: HOLLOW METAL DOOR FRAMES
REFER TO DOOR FINISH SCHEDULE

QT-1: QUARRY FLOOR TILE
JULIAN TILE SERIES ALPS #ALGR160 GRIGIO
SIZE: 12"x 24"
GROUT: COLOR TBD
LOCATION: UNIVERSAL TOILET ROOMS

RB-1: RUBBER BASE
JOHNSONITE MILLWORK SERIES REVEAL PROFILE
MW-40-F BLACK
HEIGHT: 6"

RB-2: RUBBER BASE
JOHNSONITE MILLWORK SERIES REVEAL PROFILE
MW-70-F BLUEST
HEIGHT: 4.25"
LOCATION: LOBBY AREA ONLY WITH SVF.

RB-3: RUBBER BASE
JOHNSONITE RUBBER COVERED BASE
69 STERLING SILVER CG
HEIGHT: 4" AND 6" ON INFORMATION DESK

RF-1: RUBBER FLOOR TILE
ROPPE #996 RAISED CIRCULAR VANTAGE DESIGN
COLOR: TBD
SIZE 19" x 19"; PROFILE HEIGHT 1/32"
LOCATION: TOP OF STAIR 1 AND 2
APPROVED EQUAL: JOHNSONITE ROUNDEL ROUND (RT-RD) RUBBER TILE.

RP-1: RESIN PANEL
3 FORM VARIA ECORESIN
STYLE: HINT FLOW + ATLANTIC
FINISH: FRONT- HINT FLOW EMBOSS; BACK PATINA
GAUGE: 1/2"

SN-1: STAIR NOSING
WOOSTER FLEX TRED ANTISLIP ROLL TAPE
2" WIDE; COLOR: BLACK

SN-2: STAIR NOSING
WOOSTER FLEX TRED ANTISLIP ROLL TAPE
2" WIDE; COLOR: SAFETY YELLOW

SS-1: SOLID SURFACE COUNTERTOP
AVONITE COZUMEL #K3-8575
SATIN FINISH # 051/16
THICKNESS: 1/2"

SVF-1: SHEET VINYL FLOOR
FORBO MARMOLEUM
SERIES: REAL
COLOR: 3205 LAPIS LAZULI
SEAM TYPE: NETFIT SEAM

SVF-2: SHEET VINYL FLOOR
FORBO MARMOLEUM
SERIES: REAL
COLOR: 3238 LAGUNA
SEAM TYPE: NETFIT SEAM

SVF-3: SHEET VINYL FLOOR
FORBO MARMOLEUM
SERIES: REAL
COLOR: 3242 ADRIATICA
SEAM TYPE: NETFIT SEAM

TR-1: ADAPTOR TRANSITION STRIP - CARPET TO SHEET VINYL
JOHNSONITE CTA-40-A; COLOR: BLACK

TR-2: PVC COVE BASE TRANSITION
PROFILE: SCHLUTER SYSTEMS DILEX-HK
LOCATION: BETWEEN WALL AND FLOOR TILE

FINISH LEGEND

TR-3: SCHLUTER SYSTEMS; SCHEINE PROFILE TO SUIT
FINISH: ALUMINUM
LOCATION: FLOOR TILE TO CARPET; TOP OF CT-2 WALL TILE

TR-4: WHEELED TRAFFIC TRANSITION STRIP- CARPET TO CONCRETE
JOHNSONITE CTA-40-J; COLOR: BLACK # 40

TR-5: REDUCER EDGE TRIM
JOHNSONITE SSR-18-B; COLOR: 18 NAVY BLUE

UC-1: UNDERCUSHION
SHAW CONTRACT; CUSHIONWORX PRODUCT
3 mm THICK UNDERLAY
TO BE INSTALLED UNDER CARPET TILE AS PER MANUFACTURER'S INSTRUCTIONS

VCT-1: VINYL COMPOSITE TILE
ARMSTRONG STANDARD EXCELOX; SIZE: 12"x12"
COLOR: 51880 COOL GRAY

WB-1: WINDOW BLINDS
ALTEX SUN PROJECT TEXSCREEN 9109; 126" WIDE
COLOR: 9101-10 BLACK WITH 1% OPENESS FACTOR
COMPLETE WITH SUNPROJECT DEKO S-70 TOP COVER RAIL.

WB-2: WINDOW BLINDS (BLACKOUT)
ALTEX SUN PROJECT TEXOPAQUE 6300 WITH 126" WIDE PRODUCT
COLOR: BLACK
COMPLETE WITH SUNPROJECT DEKO S-70 TOP COVER RAIL.

WF-1: TRANSLUCENT INTERIOR WINDOW FILM
MACTAC DUSTED GLASS FILM
LOCATION: EAST & SOUTH WINDOWS AND DOOR AS SHOWN ON ELEVATION
2/A2.0. PROVIDE SAMPLE TO CONTRACT ADMINISTRATOR.

WF-2: UV WINDOW FILM
VISTA WINDOW FILM WITH 99% UV REJECTION WITH VISIBLE LIGHT TRANSMISSION AND HEAT REDUCTION PROPERTIES.
LOCATION: LOBBY WINDOWS-NORTH AND SOUTH SIDE
PROVIDE SAMPLE TO CONTRACT ADMINISTRATOR.

WP-1: WALL PANEL
MODULAR ARTS INC. INTERLOCKING ROCK PANEL
MINERAL COMPOSITE PANEL
PATTERN: DUNE
SIZE: 32"x32"; HORIZONTAL DIRECTION PATTERN INSTALL

2	ISSUED FOR ADDENDUM # 4	DEC 12/16
1	ISSUED FOR ADDENDUM	DEC 6/16
0	ISSUED FOR CONSTRUCTION	NOV 28/16
No.	REVISION/DESCRIPTION	BY DATE



DRAWN	CHECKED	DESIGNED	APPROVED
DATE 2016.08.24	USER APPROVAL		

THE CITY OF WINNIPEG
PLANNING, PROPERTY AND DEVELOPMENT DEPARTMENT
MUNICIPAL ACCOMMODATIONS DIVISION
3-65 GARRY STREET, R3C 4K4

PROJECT
AQUATIC HALL OF FAME MUSEUM
ROYAL GALLERY SPACE RESTORATION

25 POSEIDON BAY
SHEET TITLE

SPECIFICATIONS

SCALE	PROJECT No:	SHEET No:
AS SHOWN	2014-148	A5.0