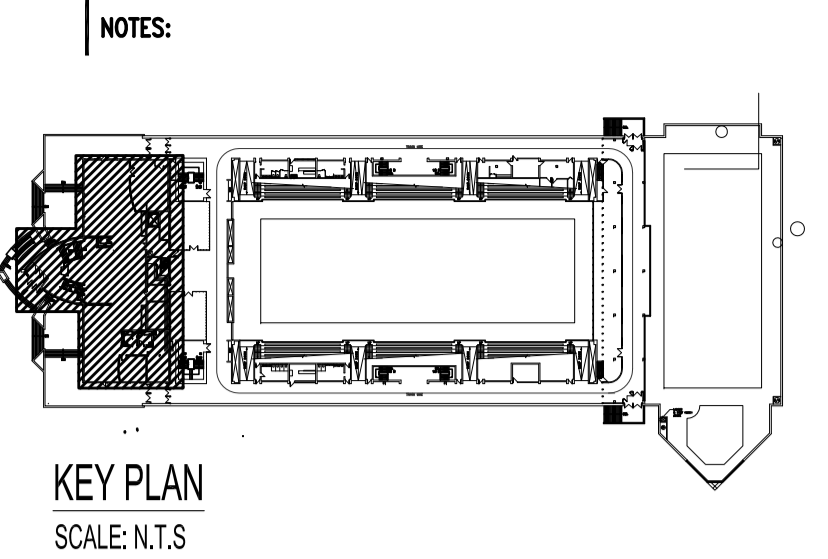


**PHASE 2**

**DRAWING NOTES**

- ① PHASE 2 CONSTRUCTION NOT TO COMMENCE BEFORE THE END OF THE CANADA SUMMER GAMES DUE TO ARTIFACT STORAGE WITHIN PHASE 2 AREA, UNLESS OTHERWISE APPROVED BY CONTRACT ADMINISTRATOR.
- ② REFER TO BID OPPORTUNITY DOCUMENT FOR DETAILS AND DATES.



**NOTES:**

THESE DRAWINGS SHALL NOT BE SCALED. CONSULT WITH CONTRACT ADMINISTRATOR ON ANY CONCERNS.

SUBMISSION OF SITE MARK-UPS, AS-BUILTS, OPERATING & MAINTENANCE MANUALS AND OTHER SUPPORTING DOCUMENTS TO CONTRACT ADMINISTRATOR ARE MANDATORY AT THE COMPLETION OF THIS PROJECT.

THE CONTRACTOR SHALL VISIT THE SITE AND SATISFY ONESELF ALL DIMENSIONS, DATUM, AND DETAILED INFORMATION SHOWN ARE CORRECT.

THE CONTRACTOR IS TO REVIEW AND COORDINATE ALL ARCHITECTURAL, STRUCTURAL, MECHANICAL AND ELECTRICAL DRAWINGS FOR ADDITIONAL OPENINGS THROUGH FLOORS, WALLS, AND CEILINGS FOR DUCTS, PIPES & ELECTRICAL RISERS AND ALL OPENINGS NOT SHOWN ON DRAWINGS.

ALL OPENINGS THROUGH FIRE ASSEMBLIES INCLUDING FLOORS AND CEILINGS ARE TO BE FIRE STOPPED AND SEALED WITH ULC APPROVED FIRE STOPPING TO MAINTAIN THE INTEGRITY OF THE FIRE SEPARATION, AND PROVIDE A SMOKE-TIGHT BARRIER.

ALL PRODUCTS AND MATERIALS TO BE USED AND INSTALLED SHALL CONFORM WITH MANUFACTURER'S SPECIFICATIONS, APPLICABLE CODES AND AUTHORITY HAVING JURISDICTION.

THE CONTRACTOR SHALL BE RESPONSIBLE TO PATCH AND MAKE GOOD ALL EXISTING CONSTRUCTION AFFECTED BY THE REMOVAL OF ALL ITEMS FORMING PART OF THE RENOVATION WORK.

WHERE NEW FLOORING AND BASE IS TO BE INSTALLED IN EXISTING AREAS (REFER TO FLOOR PLAN AND ROOM SCHEDULE) THE EXISTING FLOORING SURFACE AND BASE MUST BE REMOVED, UNLESS OTHERWISE NOTED. ALL FLOOR SURFACES SHALL BE PREPARED IN ACCORDANCE TO MANUFACTURER'S RECOMMENDATIONS FOR INSTALLATION OF NEW FLOOR.

WHERE PAINTING OF EXISTING WALLS IS INDICATED ON THE ROOM SCHEDULE, THESE WALLS MUST BE CLEANED OF ANY EXISTING WALL COVERING, PATCHED & PREPARED TO ACCEPT NEW MATERIAL, UNLESS OTHERWISE NOTED.

ALL NEW LIGHTING FIXTURES & NEW RECEPTACLES TO BE CONNECTED TO APPROPRIATE PANELS.

THERMOSTATS, FIRE ALARM PULL STATIONS & OCCUPANCY LIGHT SWITCHES SHALL BE MOUNTED 4\"/>

No.	REVISION/DESCRIPTION	BY	DATE
0	ISSUED FOR CONSTRUCTION		NOV.28/16

DRAWN	CHECKED	DESIGNED	APPROVED
K/JN	K/JN	K/JN	
DATE: 2016.11.28	USER APPROVAL		

Winnipeg THE CITY OF WINNIPEG PLANNING, PROPERTY AND DEVELOPMENT DEPARTMENT MUNICIPAL ACCOMMODATIONS DIVISION 3-65 GARRY STREET, R3C 4K4

PROJECT AQUATIC HALL OF FAME MUSEUM ROYAL GALLERY SPACE RESTORATION

25 POSEIDON BAY BID OPP # 936-2016

SHEET TITLE PHASING PLAN

SCALE	PROJECT No:	SHEET No:
AS SHOWN	2014-148	A1.0