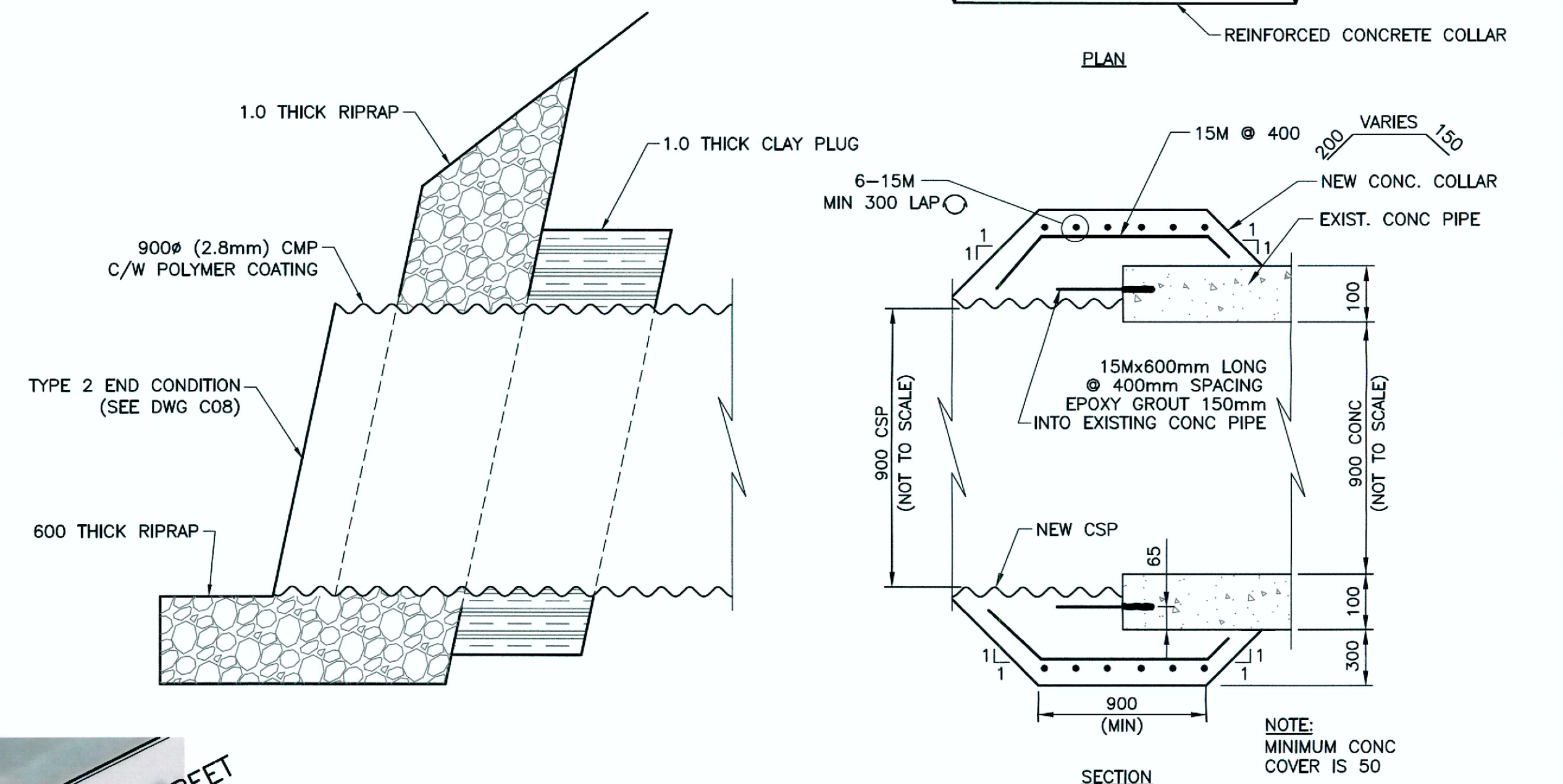
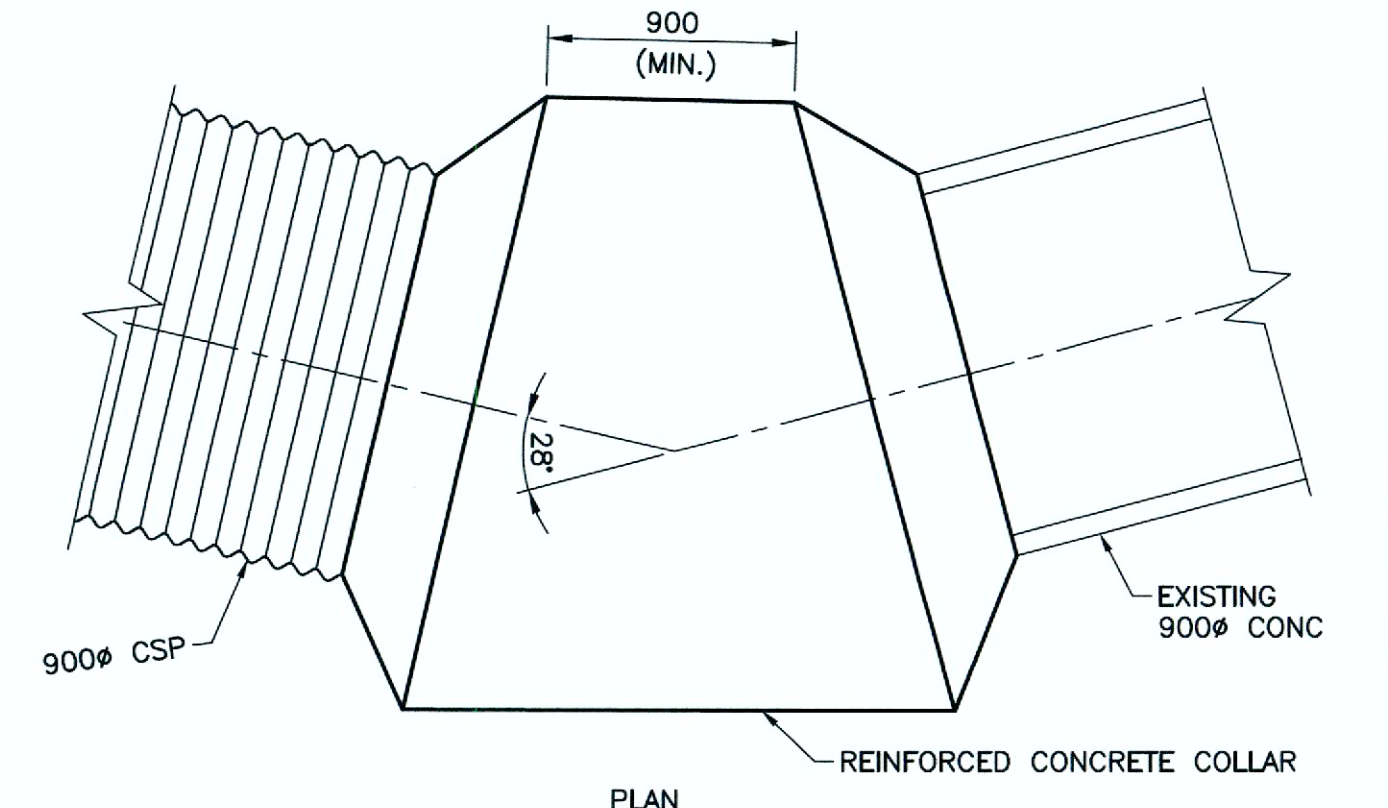


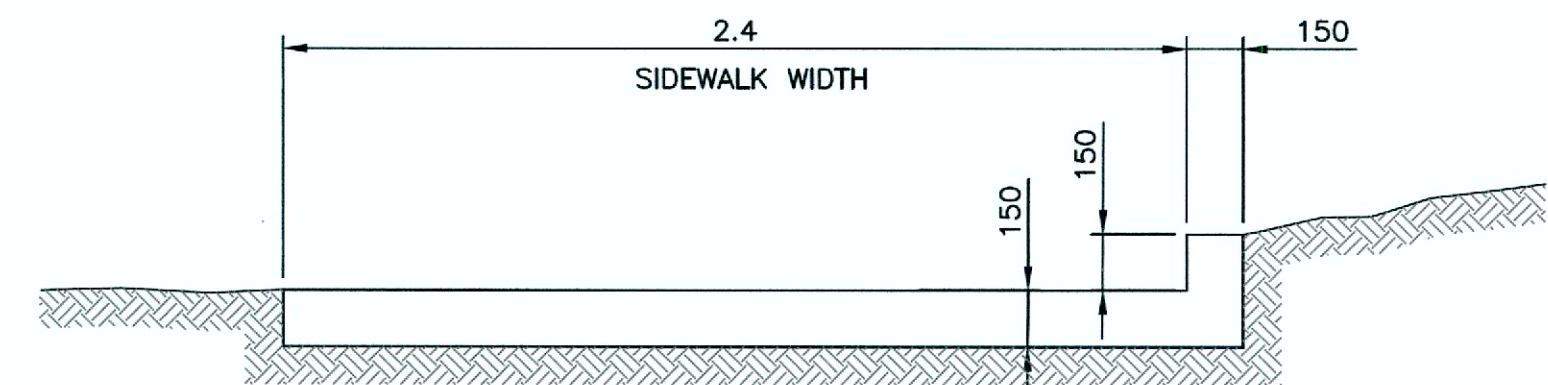
NOTES:

1. CONSTRUCT CLAY COFFERDAM AT RIVER AS REQUIRED (SEE DWG LD-7993).
2. ALL EXCAVATED MATERIAL WITHIN 107.0 OF THE REGULATED SUMMER RIVER LEVEL (RSRL) MUST BE REMOVED FROM SITE (NO STOCKPILING).
3. PATHWAYS, STONE RETAINING WALLS & OTHER LANDSCAPING FEATURES TO BE REPLACED TO PRE CONSTRUCTION CONDITIONS.



CULVERT END DETAIL

SCALE: NTS



SECTION A-A

SCALE: NTS

WARNING

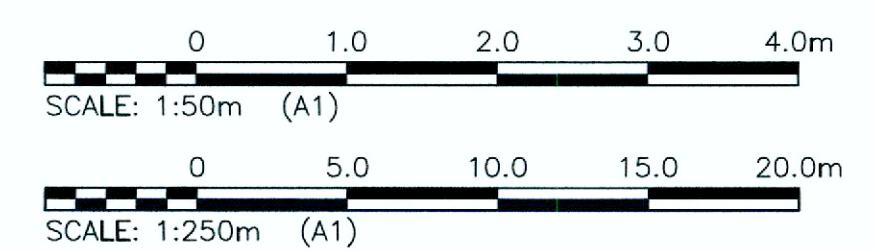
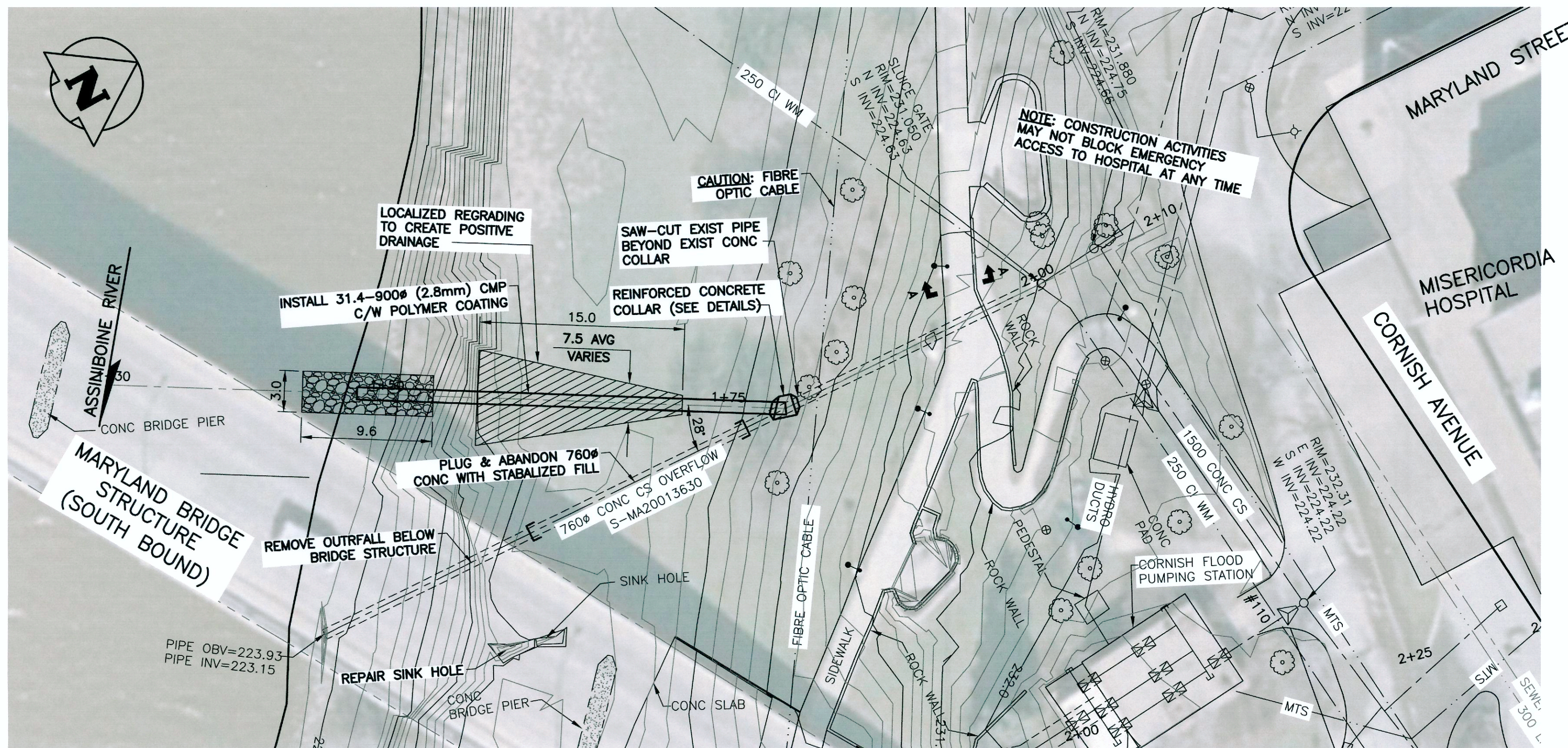
1. NOTIFY THE GAS COMPANY OF THE PROPOSED LOCATION OF EXCAVATION.
2. TAKE PRECAUTION TO AVOID DAMAGE TO GAS COMPANY INSTALLATIONS.
3. SEE PROVINCIAL REGULATION 210/72 FOR DETAILS.

PROPERTY LIMITS DELINEATION

DELINEATION OF PROPERTY LIMITS AS SHOWN ON THIS DWG DOES NOT REPRESENT A "LEGAL SURVEY". KGS GROUP MAKES NO REPRESENTATION OR WARRANTY AS TO THE ACCURACY OF PROPERTY LIMITS DELINEATED ON THIS DWG, NOR ON THE DIMENSIONAL ACCURACY OF DWG FEATURES RELATIVE TO THOSE PROPERTY LIMITS.

METRIC

WHOLE NUMBERS INDICATE MILLIMETRES
DECIMALIZED NUMBERS INDICATE METRES



File Name: U:\PMS\16-0107-021\16-0107-021_CALL.dwg - Tab: C06 Plotted By: dweber 16/11/03 [Thu 3:06pm] A1:PLOT SCALE: 1

EXISTING	LEGEND-PLAN	PROPOSED	EXISTING	LEGEND-PLAN	PROPOSED	EXISTING	LEGEND-PROFILE	PROPOSED
150 WM	WATERMAIN	150 WM	---	HYDRO M.T.S.	---	---	---	---
300 LDS	LAND DRAINAGE SEWER	300 LDS	---	PROPERTY LINE	---	---	---	---
250 WWS	WASTE WATER SEWER	250 WWS	---	SURVEY BAR	---	---	---	---
○	MANHOLE	●	---	LIGHT STANDARD	---	---	---	---
□	CATCH BASIN	■	---	HYDRO POLE	---	---	---	---
▽	CURB INLET	▽	---	GUY WIRE	---	---	---	---
+	JUNCTIONS	+	---	SIGN	---	---	---	---
---	CULVERT	---	---	BUSH LINE	---	---	---	---
---	GAS	---	---	FENCE	---	---	---	---
---	LEGEND-PLAN	---	---	ELEVATION	---	---	---	---

LOCATION APPROVED UNDERGROUND STRUCTURES

SUPV. U/G STRUCTURES COMMITTEE DATE

NOTE: LOCATION OF UNDERGROUND STRUCTURES AS SHOWN ARE BASED ON THE BEST INFORMATION AVAILABLE BUT NO GUARANTEE IS GIVEN THAT ALL EXISTING UTILITIES ARE SHOWN OR THAT THE GIVEN LOCATIONS ARE EXACT. CONFIRMATION OF EXISTENCE AND EXACT LOCATION OF ALL SERVICES MUST BE OBTAINED FROM THE INDIVIDUAL UTILITIES BEFORE PROCEEDING WITH CONSTRUCTION.

B.M. KGS_BASE	ELEV=249.213	NAD83	CSRS	CGVD28
NO.	REVISIONS	DATE	BY	

KGS GROUP CONSULTING ENGINEERS	
DESIGNED BY JB	CHECKED BY RBO
DRAWN BY DMW	APPROVED BY
HOR. SCALE: 1:250	RELEASED FOR CONSTRUCTION: 27/09/16
VERTICAL: 1:50	DATE: Nov 4/16

ENGINEER'S SEAL

J. A. BOSCHOW
Member 34869
2016-11-03
CONSULTANT DRAWING NO. 16-0107-021_C06

THE CITY OF WINNIPEG WATER & WASTE DEPARTMENT

2017 OUTFALL RENEWAL/REHABILITATION PROGRAM
CORNISH AVENUE OUTFALL (86B)
PLAN AND PROFILE
S-MA20013630

SHEET 06 OF 08
CAD FILE DRAWING NUMBER 16-0107-021_CALL
CITY DRAWING NUMBER LD-7991