

FILE NAME: 20160810V.dwg M1
 DATE: 2017.11.15
 PROJECT No: 2016-008
 SHEET TITLE: KEY PLAN, MECHANICAL SYMBOLS AND SCHEDULES
 ADDRESS: 640 KIMBERLY AVENUE

| GRILLE AND DIFFUSER SCHEDULE | | | | |
|------------------------------|----------------------|--------------|--------|---|
| TAG | DESCRIPTION | MANUFACTURER | MODEL | REMARKS |
| S-1 | SQUARE CONE DIFFUSER | E.H. PRICE | SCD/3C | T-BAR CEILING MOUNTED, COLOUR B12, SIZE 24"x24" |

| FAN SCHEDULE (PROVIDED BY GENERAL CONTRACTOR) | | | | | | |
|---|--------------|--------------------------------|---------------------|---------------------|------|----------------------------|
| TAG | MANUFACTURER | MODEL | AIR FLOW cfm @ 0.0" | AIR FLOW cfm @ 0.3" | AMPS | REMARKS |
| RH-1 | VENT-A-HOOD | 900cfm B200 DUAL & B100 SINGLE | 900 | 655 | 6 | 10" DUCT, VP562 TRANSITION |

NOTES:
 1. INTERLOCK RH-1 WITH MAU-1

| MINI MAKE UP AIR UNIT SCHEDULE | | | | | | |
|--------------------------------|--------------|-----------|--------------|-------|--------|--|
| TAG | MANUFACTURER | MODEL | AIR FLOW cfm | SP in | MAX kW | REMARKS |
| MAU-1 | THERMOLEC | FER-10-10 | 300 | 0.2 | 10 | CW FILTER AND ELECTRONIC CONTROLLER BUILT IN DAMPER, ELECTRONIC TEMPERATURE SENSOR |

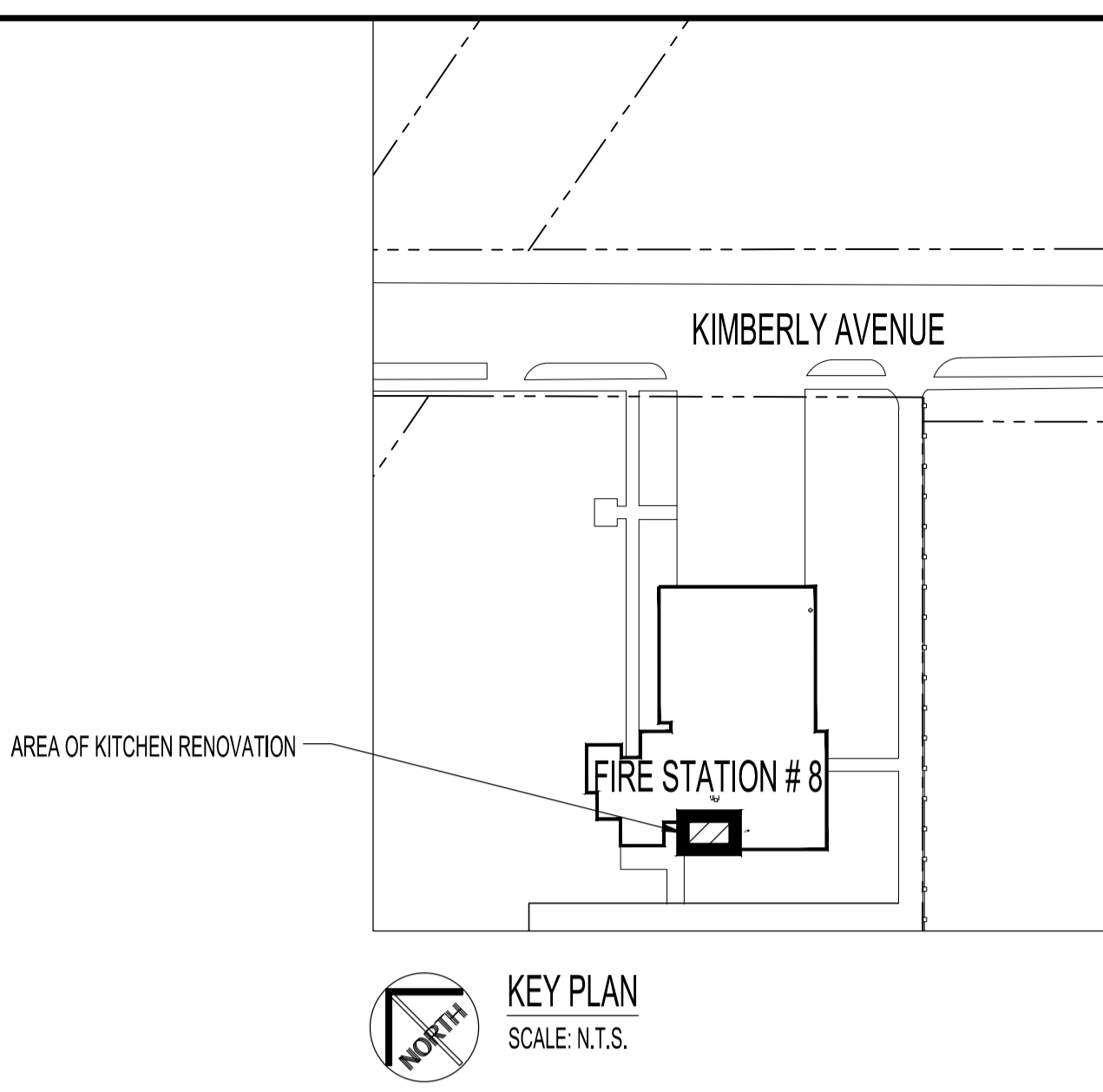
NOTES:
 1. INTERLOCK RH-1 WITH MAU-1

| PLUMBING FIXTURE CONNECTION SIZES | | | | |
|-----------------------------------|-------------|--------|--------|---------|
| TAG | SANITARY IN | DCW IN | DHW IN | TRAP IN |
| SINK | 1.5 | 0.5 | 0.5 | 1.5 |

| WALL FIN SCHEDULE | | | | | |
|-------------------|-------------|---|---------------------|----------------|-----------|
| TAG | LENGTH (FT) | FIN TYPE SERIES | OUTPUT (BTU/LIN FT) | ENCLOSURE TYPE | REMARKS |
| WF-1 | 22 | 3/4" COPPER TUBE 2 1/2"x3 1/4" ALUMINUM FIN 60 FIN/FT | 680 | P-8 | 14.96 MBH |
| WF-2 | 13 | 3/4" COPPER TUBE 2 1/2"x3 1/4" ALUMINUM FIN 60 FIN/FT | 680 | P-8 | 8.84 MBH |
| WF-3 | 3 | 3/4" COPPER TUBE 2 1/2"x3 1/4" ALUMINUM FIN 60 FIN/FT | 680 | P-8 | 2.04 MBH |
| WF-4 | 6 | 3/4" COPPER TUBE 2 1/2"x3 1/4" ALUMINUM FIN 60 FIN/FT | 680 | P-8 | 4.08 MBH |

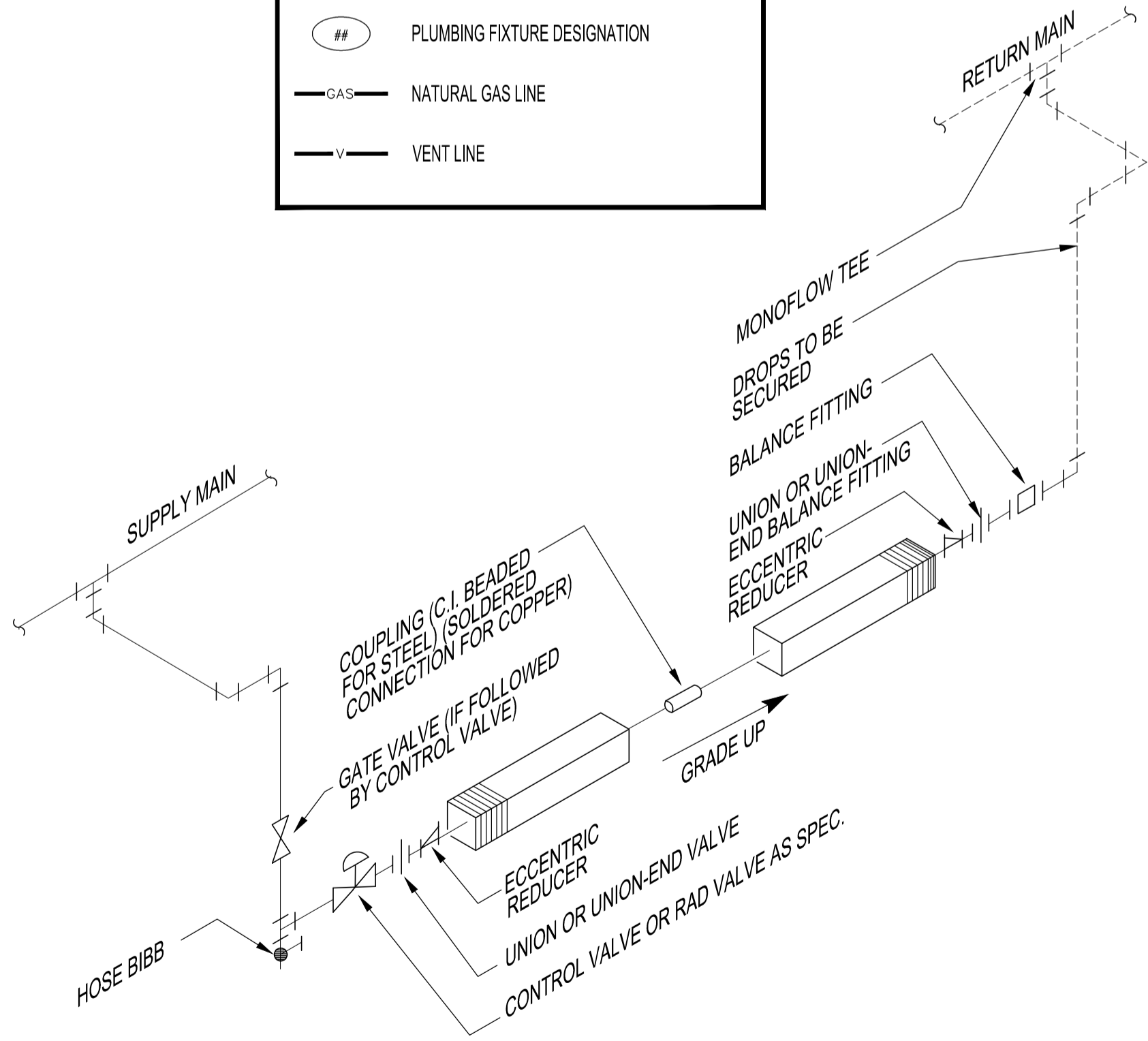
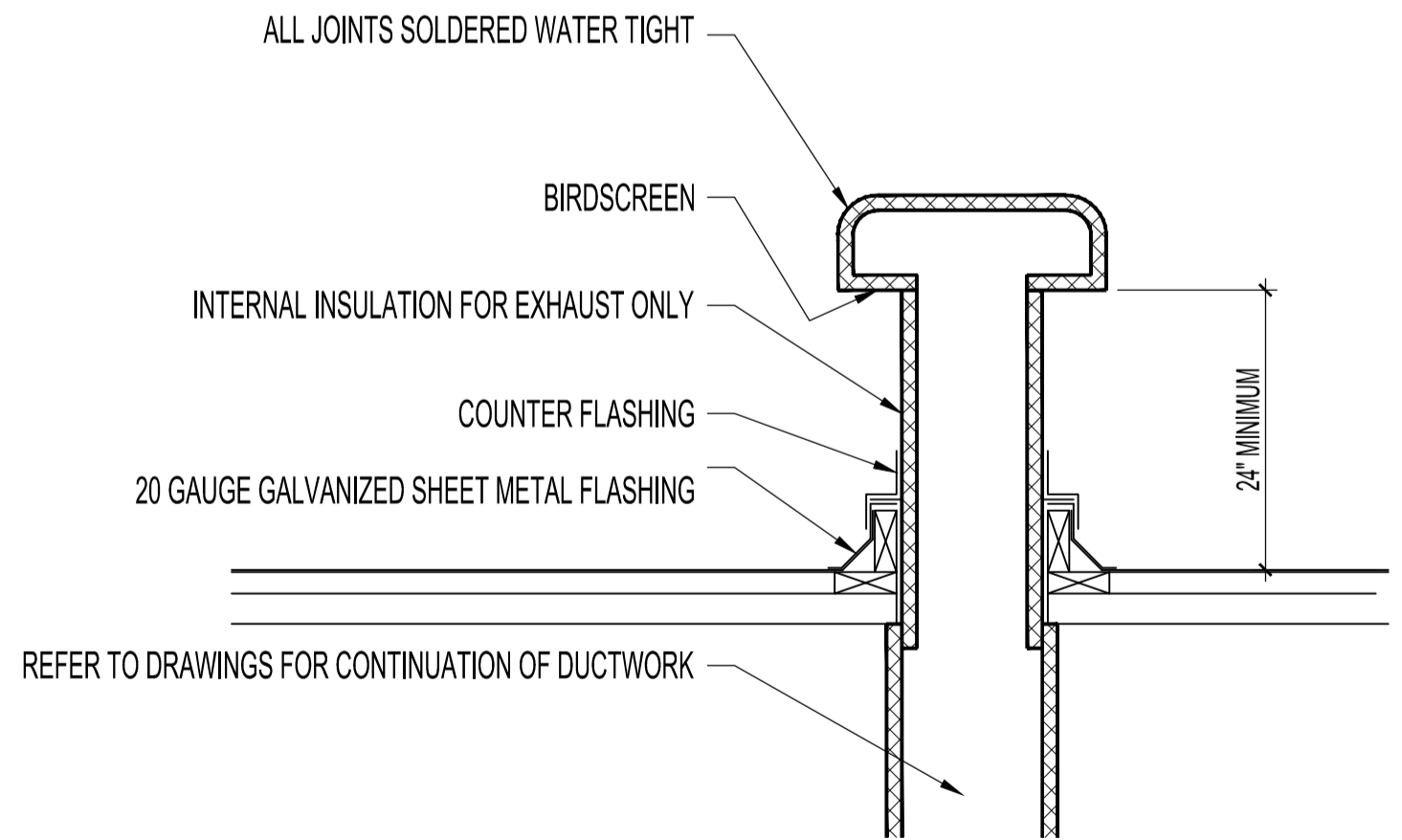
NOTES:
 BASED ON ENG. A PROFILE SERIES, 65 DEGREE F AIR AVERAGE, AND 170 DEGREE F WATER AVERAGE

| MECHANICAL SYMBOLS | |
|--------------------|--|
| | EXISTING CONSTRUCTION TO REMAIN |
| | TO BE DEMOLISHED |
| | NEW CONSTRUCTION |
| | NEW BALANCE DAMPER |
| | NEW FIRE DAMPER |
| | EXISTING SUPPLY AIR GRILLE TO BE REMOVED |
| | EXISTING RETURN AIR GRILLE TO BE REMOVED |
| | NEW SUPPLY AIR GRILLE |
| | NEW RETURN AIR GRILLE |
| | NEW FLEX DUCT THERMOFLEX, MODEL M-KE |
| | GRILLE TYPE (SEE GRILLE SCHEDULE) SIZE CFM / R/A |
| | EXISTING THERMOSTAT TO BE REMOVED |
| | NEW THERMOSTAT |
| | EQUIPMENT DESIGNATION |
| | DOMESTIC COLD WATER PIPING |
| | DOMESTIC HOT WATER PIPING |
| | SANITARY DRAIN PIPING ABOVE SLAB |
| | SANITARY DRAIN PIPING BELOW SLAB |
| | SHUT OFF VALVE |
| | NORMALLY CLOSED SHUT OFF VALVE |
| | FLOOR DRAIN |
| | CLEANOUT |
| | PLUMBING FIXTURE DESIGNATION |
| | NATURAL GAS LINE |
| | VENT LINE |



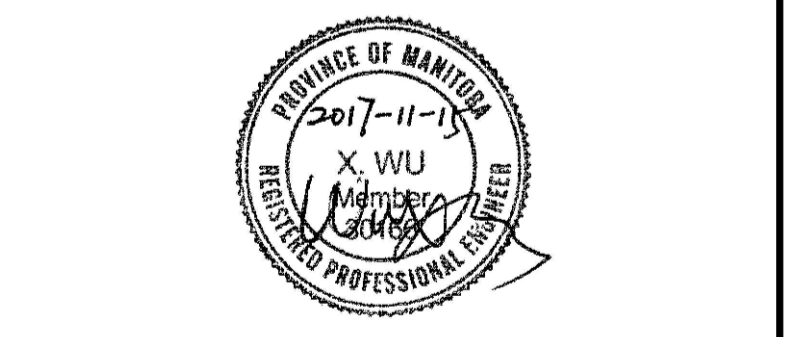
NOTES:
 THESE DRAWINGS SHALL NOT BE SCALED.
 THIS DRAWING IS DIAGRAMMATIC ONLY. CONTRACTOR TO COORDINATE EXACT LOCATIONS OF AND ROUTING ON SITE WITH ALL NEW AND EXISTING SYSTEM.
 THE CONTRACTOR SHALL VISIT THE SITE AND SATISFY ONESELF ALL DIMENSIONS, DATUM, AND DETAILED INFORMATION SHOWN ARE CORRECT.
 THE CONTRACTOR IS TO REVIEW AND COORDINATE ALL ARCHITECTURAL, MECHANICAL, ELECTRICAL AND STRUCTURAL DRAWINGS FOR ADDITIONAL OPENINGS THROUGH FLOORS, WALLS, AND CEILINGS FOR DUCT, PIPE & ELECTRICAL RISERS AND ALL OPENINGS NOT SHOWN ON DRAWINGS.
 ALL OPENINGS THROUGH FIRE ASSEMBLIES ARE TO BE FIRE STOPPED AND SEALED WITH ULC APPROVED FIRE STOPPING TO MAINTAIN THE INTEGRITY OF THE FIRE SEPARATION, AND PROVIDE A SMOKE-TIGHT BARRIER.
 ALL PRODUCTS AND MATERIALS TO BE USED AND INSTALLED SHALL CONFORM WITH MANUFACTURER'S SPECIFICATIONS & APPLICABLE CODES.
 NEW DUCT SHALL BE CONSTRUCTED AS RECOMMENDED BY SMACNA.
 THE CONTRACTOR SHALL BE RESPONSIBLE TO PATCH AND MAKE GOOD ALL EXISTING CONSTRUCTION AFFECTED BY THE REMOVAL OF ALL ITEMS FORMING THE PART OF THE RENOVATION WORK.
 PLUMBING INSTALLATION SHALL CONFORM TO NATIONAL PLUMBING CODE OF CANADA.
 THE CONTRACTOR IS RESPONSIBLE FOR INSTALLING RISERS, SWING JOINTS AND DEEP CUP ESCUTCHEONS AS REQUIRED.
 ELECTRICAL WIRING SHALL BE PERFORMED BY A QUALIFIED ELECTRICAL SUBTRADE.
 PROVIDE MILCOR ACCESS DOORS IN DRYWALL CEILINGS AND WALLS FOR ACCESS TO MECHANICAL EQUIPMENT, MINIMUM SIZE 24" X 18".
 THE MECHANICAL CONTRACTOR SHALL ARRANGE WITH MANITOBA HYDRO GAS DIVISION FOR REVISION TO GAS SERVICE INCLUDING PRESSURE REGULATOR. THE COST OF THIS SERVICE SHALL BE INCLUDED IN THE COST OF THIS CONTRACT.

| MECHANICAL DRAWING LIST | |
|-------------------------|--|
| SHEET No: | SHEET TITLE |
| M1 | KEY PLAN, MECHANICAL SYMBOLS AND SCHEDULES |
| M2 | PARTIAL MAIN FLOOR PLANS - MECHANICAL RENOVATION |
| M3 | MECHANICAL SPECIFICATION |



NOTE:
 A MAX. OF 1/4" CLEARANCE ON EACH SIDE OF FIN IN FLUE SPACE IS REQUIRED - IF CABINET EXCEEDS FIN LENGTH BY MORE THAN 600mm [24"] BLANK OFF FLUE SPACE AT ENDS OF FIN USING 0.48mm [12 GA] GALVANIZED SHEET METAL.

| No. | REVISION/DESCRIPTION | BY | DATE |
|-----|-------------------------|-----|-------------|
| 0 | ISSUED FOR CONSTRUCTION | JAW | NOV 15 2017 |



| DRAWN | CHECKED | DESIGNED | APPROVED |
|------------------|---------------|----------|----------|
| JAW | XYW | XYW | XYW |
| DATE: 2017.11.15 | USER APPROVAL | | |

THE CITY OF WINNIPEG
 PLANNING, PROPERTY AND DEVELOPMENT DEPARTMENT
 MUNICIPAL ACCOMMODATIONS DIVISION
 3-65 GARRY STREET, R3C 4K4

PROJECT
 WINNIPEG FIRE PARAMEDIC SERVICES
 FIRE STATION #8

640 KIMBERLY AVENUE BID OPP: 1013-2017

SHEET TITLE
 KEY PLAN, MECHANICAL SYMBOLS AND SCHEDULES

| SCALE | PROJECT No: | SHEET No: |
|----------|-------------|-----------|
| AS SHOWN | 2016-008 | M1 |