

FILE NAME: 20160901V0.dwg | DATE: 2017.11.15 | PROJECT No: 2016-009 | SHEET TITLE: KEY PLAN, MECHANICAL SYMBOLS AND SCHEDULES | ADDRESS: 1001 MCGREGOR STREET

GRILLE AND DIFFUSER SCHEDULE				
TAG	DESCRIPTION	MANUFACTURER	MODEL	REMARKS
S-1	LINEAR BAR GRILLE	E.H. PRICE	LBP16B	COLOUR B12, SIZE REFER TO DRAWING

FAN SCHEDULE (PROVIDED BY GENERAL CONTRACTOR)						
TAG	MANUFACTURER	MODEL	AIR FLOW cfm @ 0.0"	AIR FLOW cfm @ 0.3"	AMPS	REMARKS
RH-1	VENT-A-HOOD	900cfm B200 DUAL & B100 SINGLE	900	655	6	10" DUCT, VP562 TRANSITION

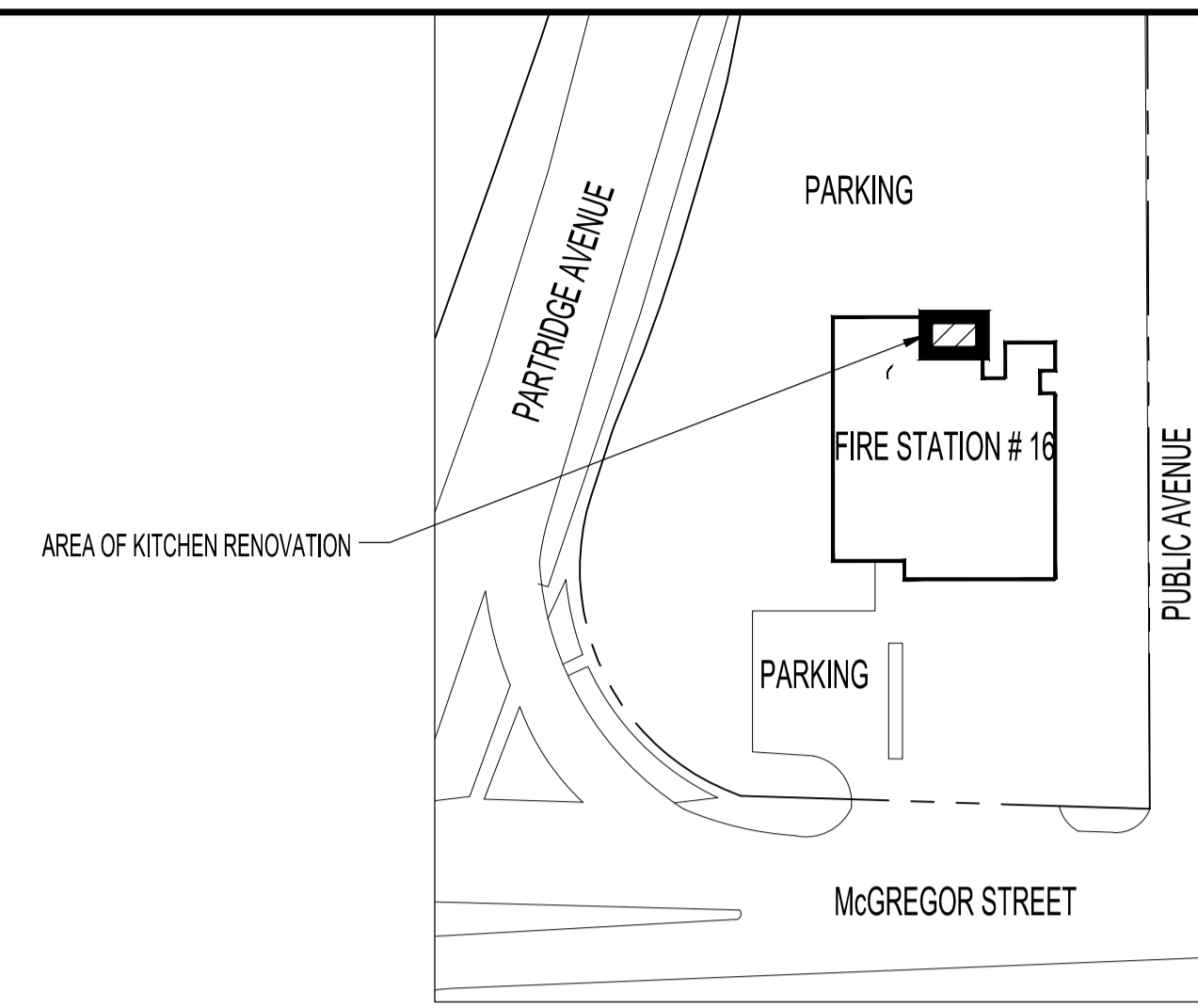
NOTES:
1. INTERLOCK RH-1 WITH MAU-1

MINI MAKE UP AIR UNIT SCHEDULE						
TAG	MANUFACTURER	MODEL	AIR FLOW cfm	SP in	MAX kW	REMARKS
MAU-1	THERMOLEC	FER-10-10	300	0.2	10	C/W FILTER AND ELECTRONIC CONTROLLER BUILT IN DAMPER, ELECTRONIC TEMPERATURE SENSOR

NOTES:
1. INTERLOCK RH-1 WITH MAU-1

PLUMBING FIXTURE CONNECTION SIZES				
TAG	SANITARY IN	DCW IN	DHW IN	TRAP IN
SINK	1.5	0.5	0.5	1.5

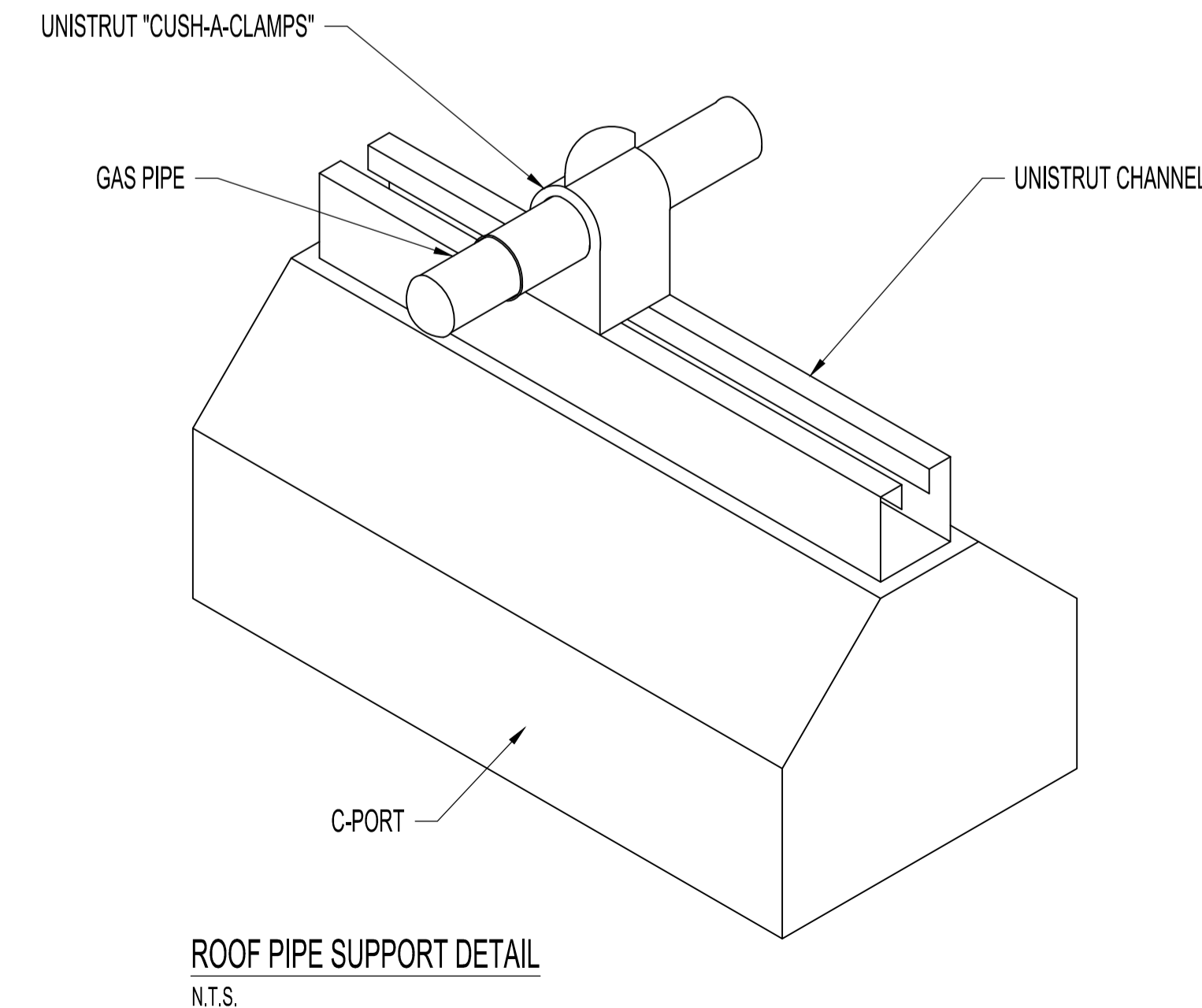
MECHANICAL SYMBOLS	
	EXISTING CONSTRUCTION TO REMAIN
	TO BE DEMOLISHED
	NEW CONSTRUCTION
	NEW BALANCE DAMPER
	NEW FIRE DAMPER
	EXISTING SUPPLY AIR GRILLE TO BE REMOVED
	EXISTING RETURN AIR GRILLE TO BE REMOVED
	NEW SUPPLY AIR GRILLE
	NEW RETURN AIR GRILLE
	NEW FLEX DUCT THERMOFLEX, MODEL M-KE
	GRILLE TYPE (SEE GRILLE SCHEDULE) SIZE CFM / R/A
	EXISTING THERMOSTAT TO BE REMOVED
	NEW THERMOSTAT
	EQUIPMENT DESIGNATION
	DOMESTIC COLD WATER PIPING
	DOMESTIC HOT WATER PIPING
	SANITARY DRAIN PIPING ABOVE SLAB
	SANITARY DRAIN PIPING BELOW SLAB
	SHUT OFF VALVE
	NORMALLY CLOSED SHUT OFF VALVE
	FLOOR DRAIN
	CLEANOUT
	PLUMBING FIXTURE DESIGNATION
	NATURAL GAS LINE
	VENT LINE



KEY PLAN
SCALE: N.T.S.

MECHANICAL DRAWING LIST	
SHEET No:	SHEET TITLE
M1	KEY PLAN, MECHANICAL SYMBOLS AND SCHEDULES
M2	PARTIAL MAIN FLOOR PLAN - MECHANICAL RENOVATION
M3	MECHANICAL SPECIFICATION

NOTES:
 THESE DRAWINGS SHALL NOT BE SCALED.
 THIS DRAWING IS DIAGRAMMATIC ONLY. CONTRACTOR TO COORDINATE EXACT LOCATIONS OF AND ROUTING ON SITE WITH ALL NEW AND EXISTING SYSTEM.
 THE CONTRACTOR SHALL VISIT THE SITE AND SATISFY ONESELF ALL DIMENSIONS, DATUM, AND DETAILED INFORMATION SHOWN ARE CORRECT.
 THE CONTRACTOR IS TO REVIEW AND COORDINATE ALL ARCHITECTURAL, MECHANICAL, ELECTRICAL AND STRUCTURAL DRAWINGS FOR ADDITIONAL OPENINGS THROUGH FLOORS, WALLS, AND CEILINGS FOR DUCT, PIPE & ELECTRICAL RISERS AND ALL OPENINGS NOT SHOWN ON DRAWINGS.
 ALL OPENINGS THROUGH FIRE ASSEMBLIES ARE TO BE FIRE STOPPED AND SEALED WITH ULC APPROVED FIRE STOPPING TO MAINTAIN THE INTEGRITY OF THE FIRE SEPARATION, AND PROVIDE A SMOKE-TIGHT BARRIER.
 ALL PRODUCTS AND MATERIALS TO BE USED AND INSTALLED SHALL CONFORM WITH MANUFACTURER'S SPECIFICATIONS & APPLICABLE CODES.
 NEW DUCT SHALL BE CONSTRUCTED AS RECOMMENDED BY SMACNA.
 THE CONTRACTOR SHALL BE RESPONSIBLE TO PATCH AND MAKE GOOD ALL EXISTING CONSTRUCTION AFFECTED BY THE REMOVAL OF ALL ITEMS FORMING THE PART OF THE RENOVATION WORK.
 PLUMBING INSTALLATION SHALL CONFORM TO NATIONAL PLUMBING CODE OF CANADA.
 THE CONTRACTOR IS RESPONSIBLE FOR INSTALLING RISERS, SWING JOINTS AND DEEP OUP ESCUTCHEONS AS REQUIRED.
 ELECTRICAL WIRING SHALL BE PERFORMED BY A QUALIFIED ELECTRICAL SUBTRADE.
 PROVIDE MILCOR ACCESS DOORS IN DRYWALL CEILINGS AND WALLS FOR ACCESS TO MECHANICAL EQUIPMENT. MINIMUM SIZE 24" X 18".
 THE MECHANICAL CONTRACTOR SHALL ARRANGE WITH MANITOBA HYDRO GAS DIVISION FOR REVISION TO GAS SERVICE INCLUDING PRESSURE REGULATOR. THE COST OF THIS SERVICE SHALL BE INCLUDED IN THE COST OF THIS CONTRACT.



ROOF PIPE SUPPORT DETAIL
N.T.S.

No.	REVISION/DESCRIPTION	BY	DATE
0	ISSUED FOR CONSTRUCTION	JAW	NOV 15 2017

SEAL

DRAWN	CHECKED	DESIGNED	APPROVED
JAW	XYW	XYW	XYW
DATE	USER	APPROVAL	
2017.11.15			

THE CITY OF WINNIPEG
 PLANNING, PROPERTY AND DEVELOPMENT DEPARTMENT
 MUNICIPAL ACCOMMODATIONS DIVISION
 3-65 GARRY STREET, R3C 4K4

PROJECT
 WINNIPEG FIRE PARAMEDIC SERVICES
 FIRE STATION #16
 1001 MCGREGOR STREET BID OPP: 1013-2017

SHEET TITLE
 KEY PLAN, MECHANICAL SYMBOLS AND SCHEDULES

SCALE	PROJECT No:	SHEET No:
AS SHOWN	2016-009	M1