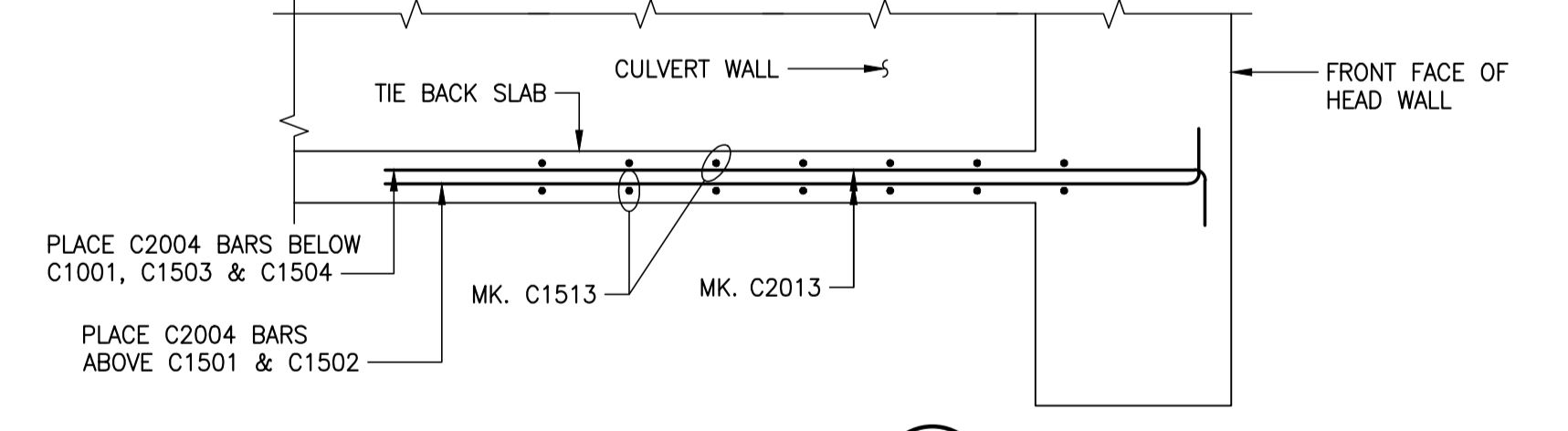
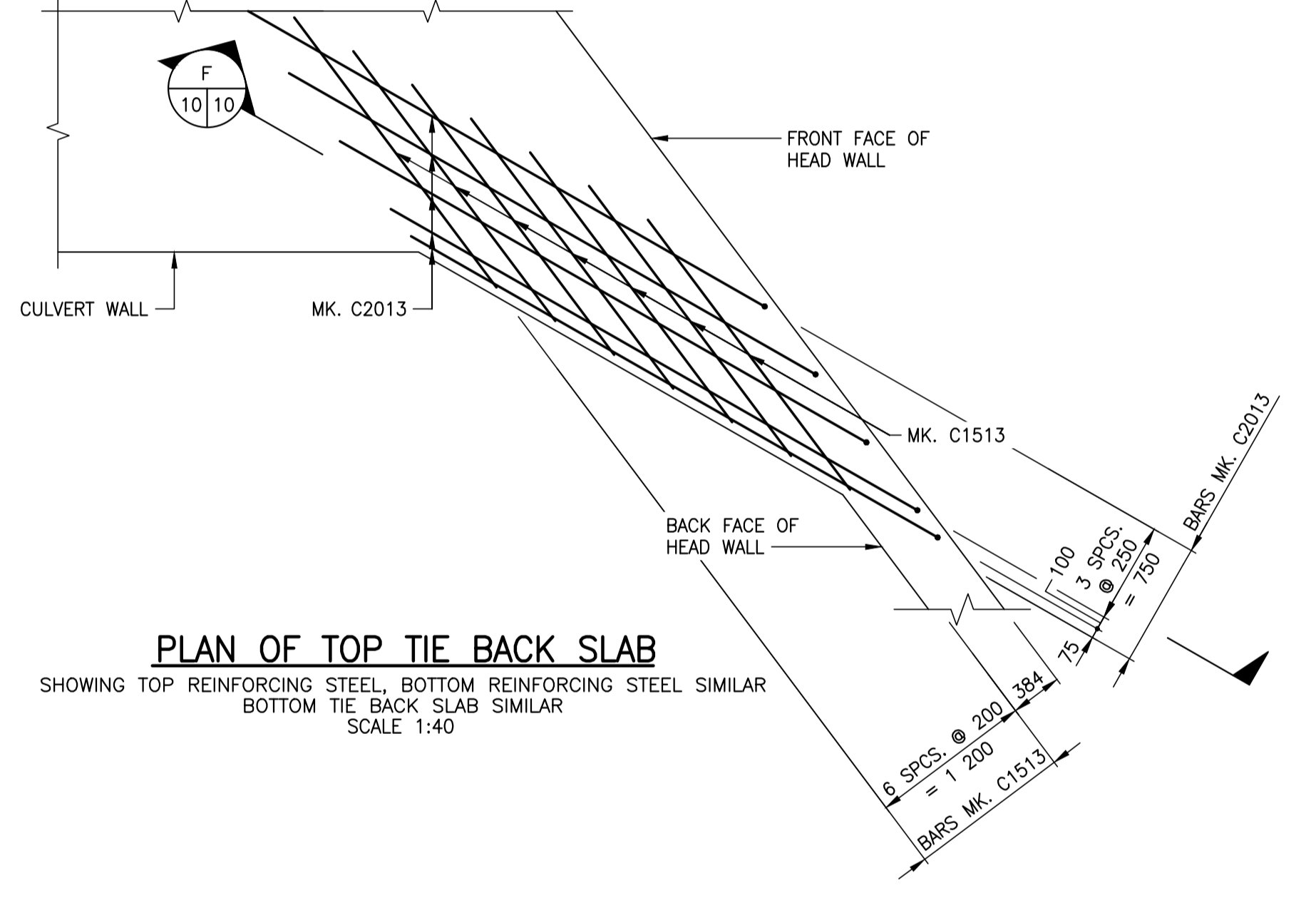
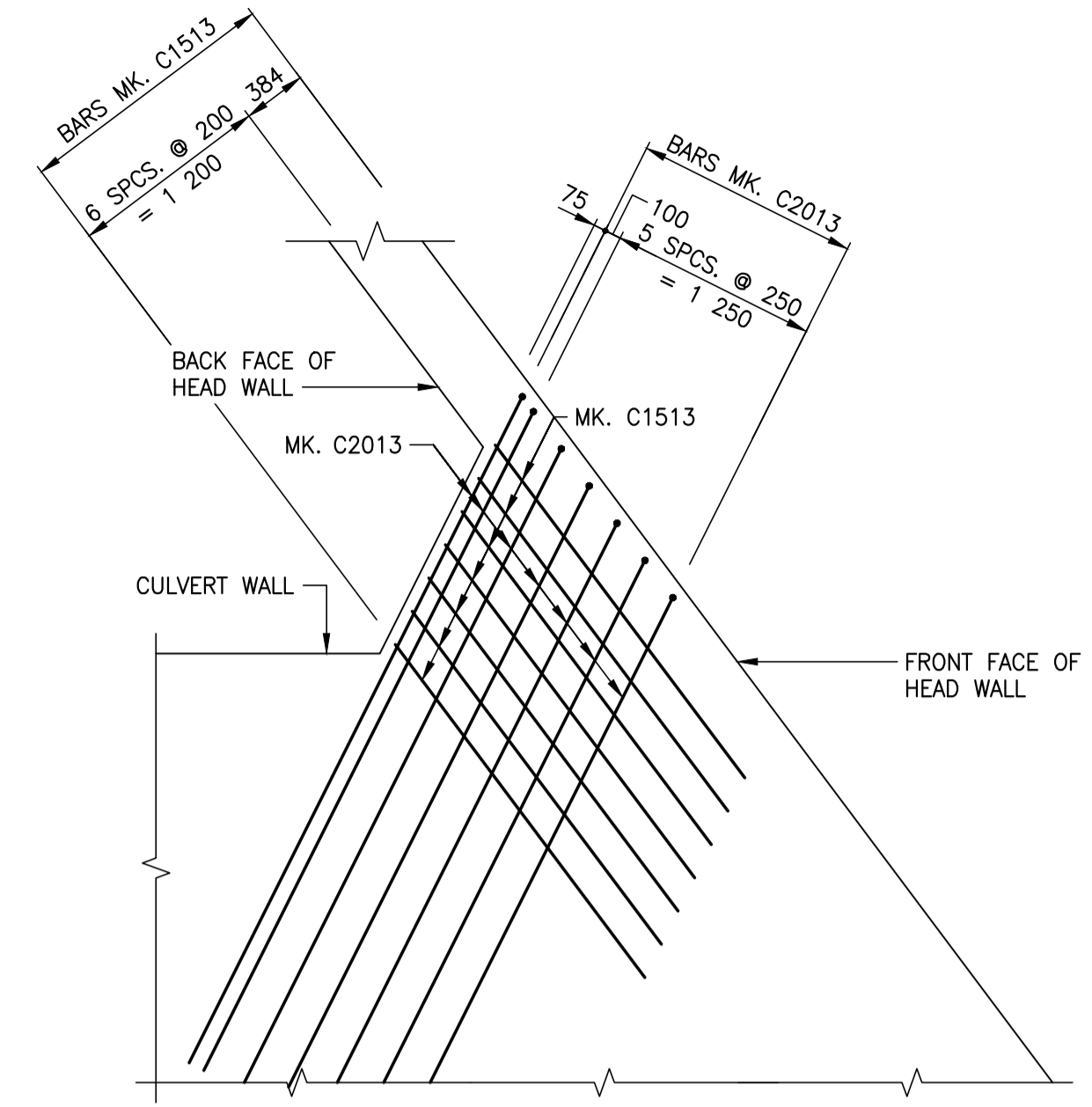
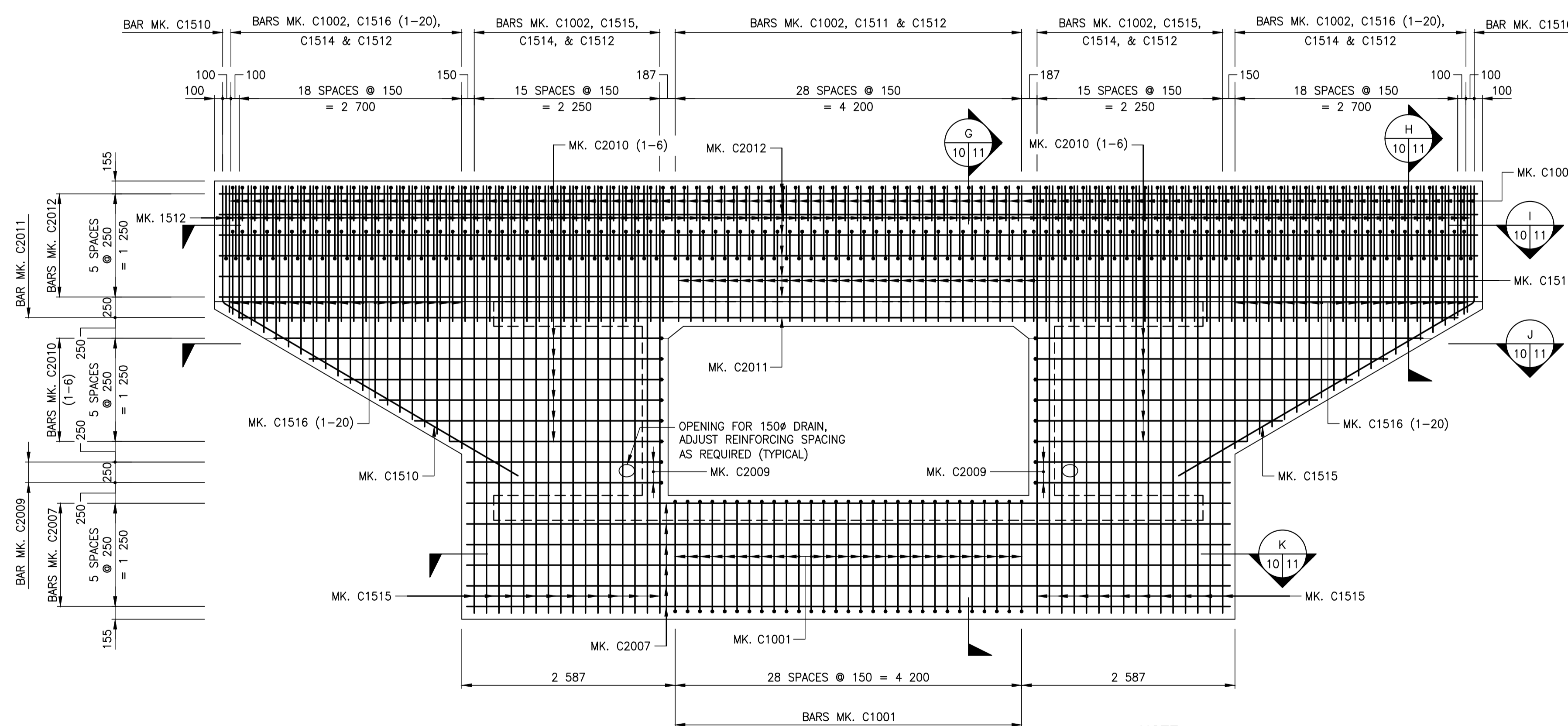
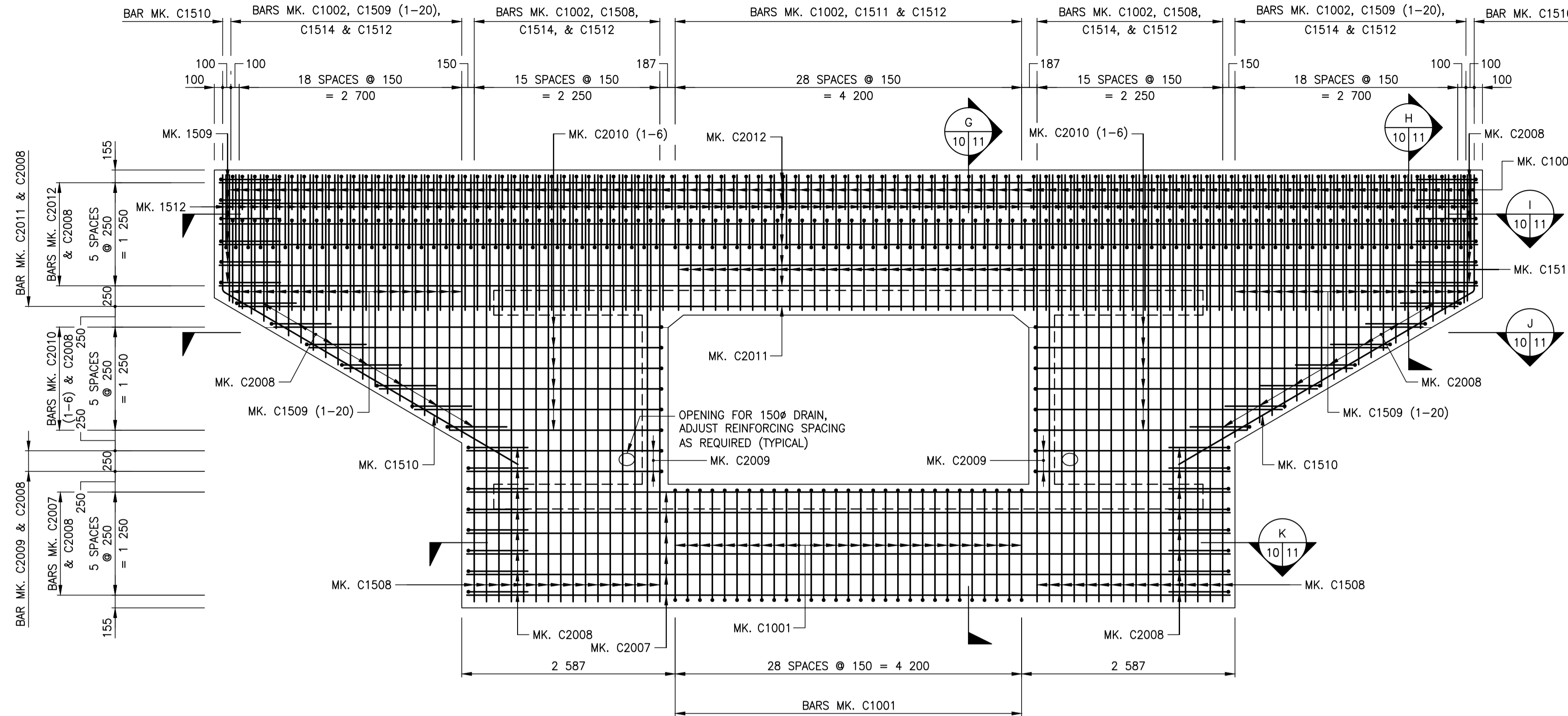


Plotted: November 24, 2017 at 11:47:26 AM | Last saved by: Paterson | File: F:\2017\17M-00806-00 - Truro Creek Culvert Replacements\MM Drawings\17M-00806-00 - Truro Creek Culvert Replacements\MM Drawings\17M-00806-00 - Truro Creek Culvert Replacements\10 Reinforcing Details (Sheet 2 of 3).dwg | Layout: 10 Reinforcing Details (Sheet 2 of 3) | A1 SIZE (594 mm x 841 mm)



- NOTE**
- FOR SECTION G-G, H-H, I-I, J-J, AND K-K SEE SHEET 11.
 - FOR BILL OF REINFORCING STEEL, SEE SHEET 16.

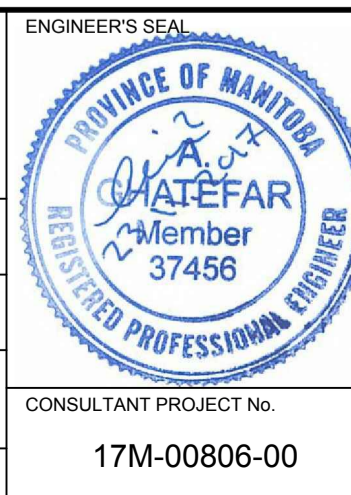


LOCATIONS APPROVED UNDERGROUND STRUCTURES

G.B.M. = TOP NUT OF FIRST HYDRANT SOUTH OF INTERSECTION BETWEEN NESS AVENUE AND LINWOOD STREET		
ELEV. = 233.659		
SIGNED BY:	DATE:	
SUPV. U/G STRUCTURES		
LOCATION OF UNDERGROUND STRUCTURES AS SHOWN ARE BASED ON THE BEST INFORMATION AVAILABLE BUT NO GUARANTEE IS GIVEN THAT ALL EXISTING UTILITIES ARE SHOWN OR THAT THE GIVEN LOCATIONS ARE EXACT CONFIRMATION OF EXISTANCE AND EXACT LOCATION OF ALL SERVICES MUST BE OBTAINED FROM THE INDIVIDUAL UTILITIES BEFORE PROCEEDING		
No.	REVISIONS	DATE BY
0	ISSUED FOR TENDER	17.11.23 JL

WSP

DESIGNED BY	AG	CHECKED BY	MLW
DRAWN BY	FD	APPROVED BY	JL
HOR. SCALE	1:40	RELEASED FOR CONSTRUCTION	
VERTICAL	1:40	DATE	17.11.23



METRIC
WHOLE NUMBERS INDICATE MILLIMETRES
DECIMALIZED NUMBERS INDICATE METRES

THE CITY OF WINNIPEG
PUBLIC WORKS DEPARTMENT
ENGINEERING DIVISION

TRURO CREEK CULVERT REPLACEMENT AT LINWOOD STREET

REINFORCING DETAILS (SHEET 2 OF 3)

CITY DRAWING NUMBER C321-17-10	REVISION REV 0
BID OPPORTUNITY NUMBER 1014-2017	
SHEET 10 OF 19	