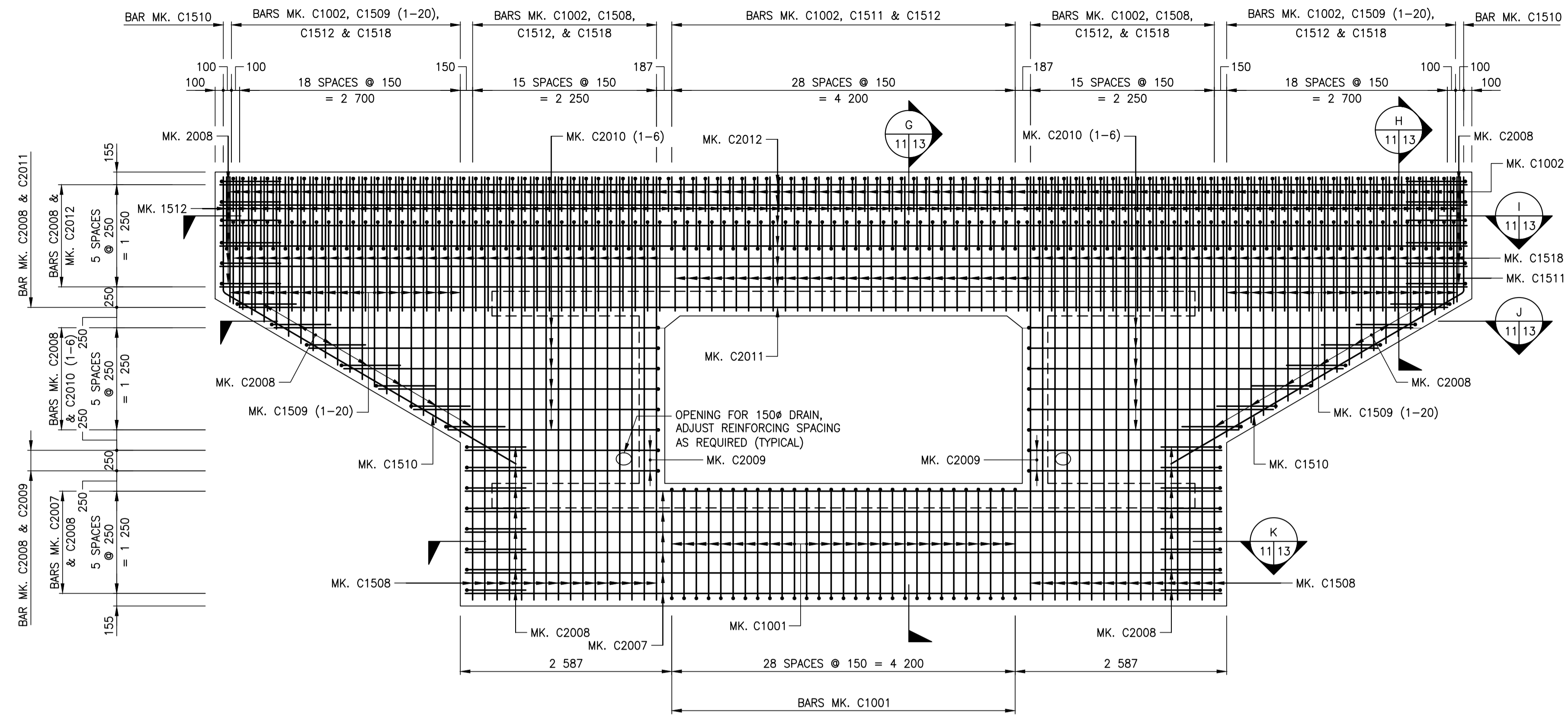
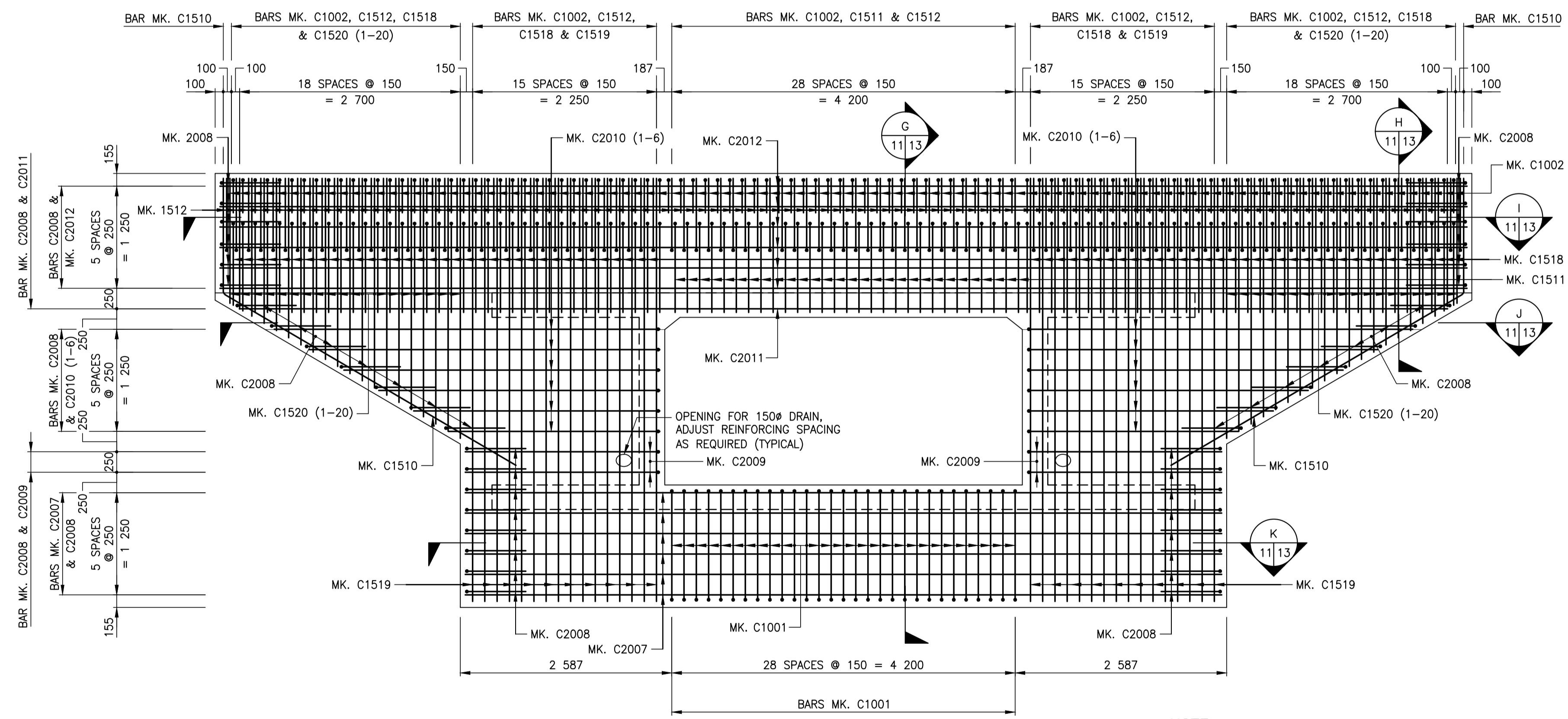


A1 SIZE (594 mm x 841 mm) | Layout: 11 Reinforcing Details (Sheet 2 of 5) | Pinned: November 24, 2017 at 11:35:13 AM | Last saved by: Paterson | File: F:\2017\17M-0806-00 - Truro Creek Culvert Replacements\MM Drawings\17M-0806-00 Truro Creek Culvert Replacements DD Winchester 08-15 concrete and reinforcing details.dwg



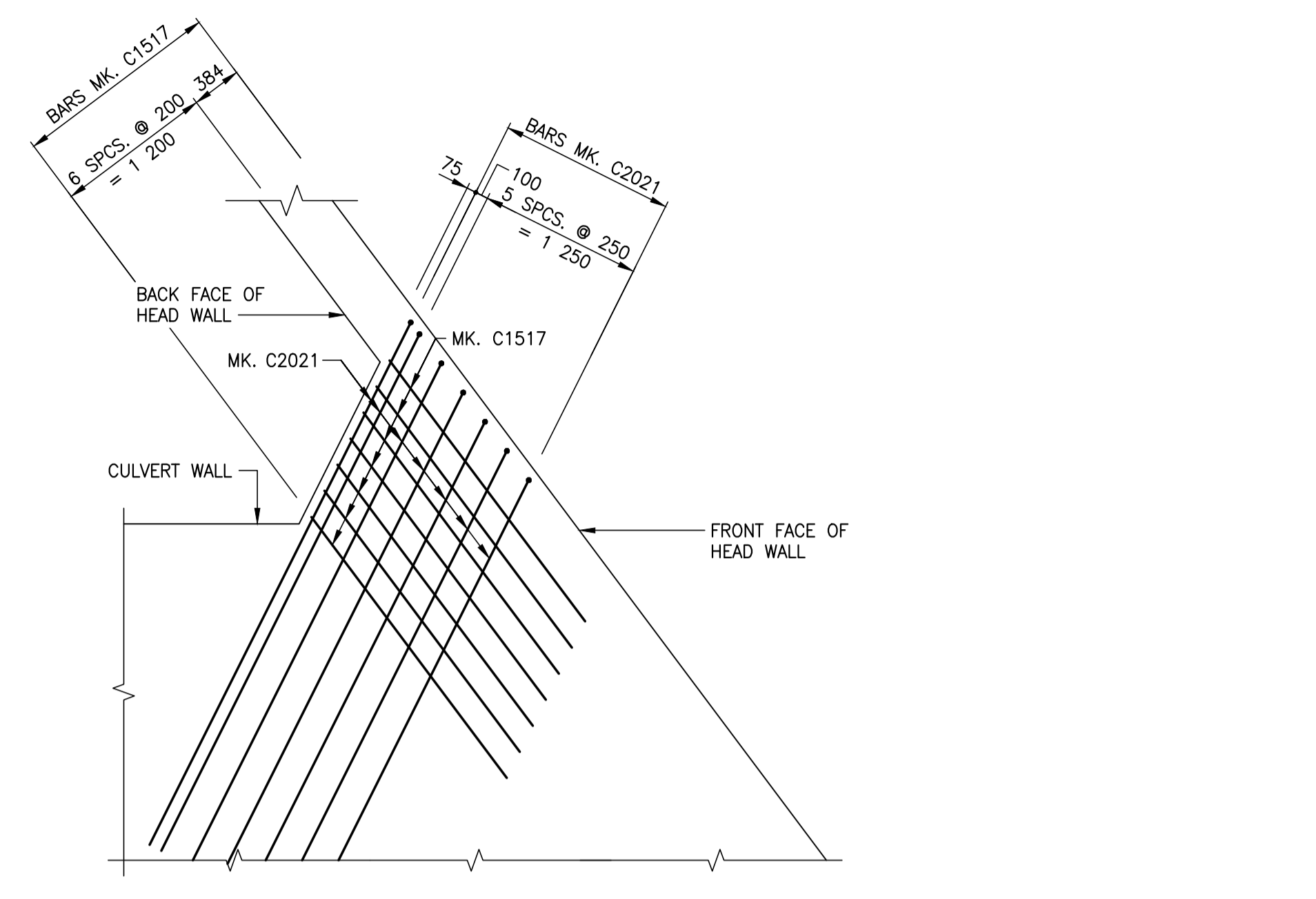
**EAST HEAD WALL AND WING WALL ELEVATION**  
 SHOWING REINFORCING STEEL IN FRONT FACE OF HEAD WALL AND WING WALL  
 SCALE 1:40



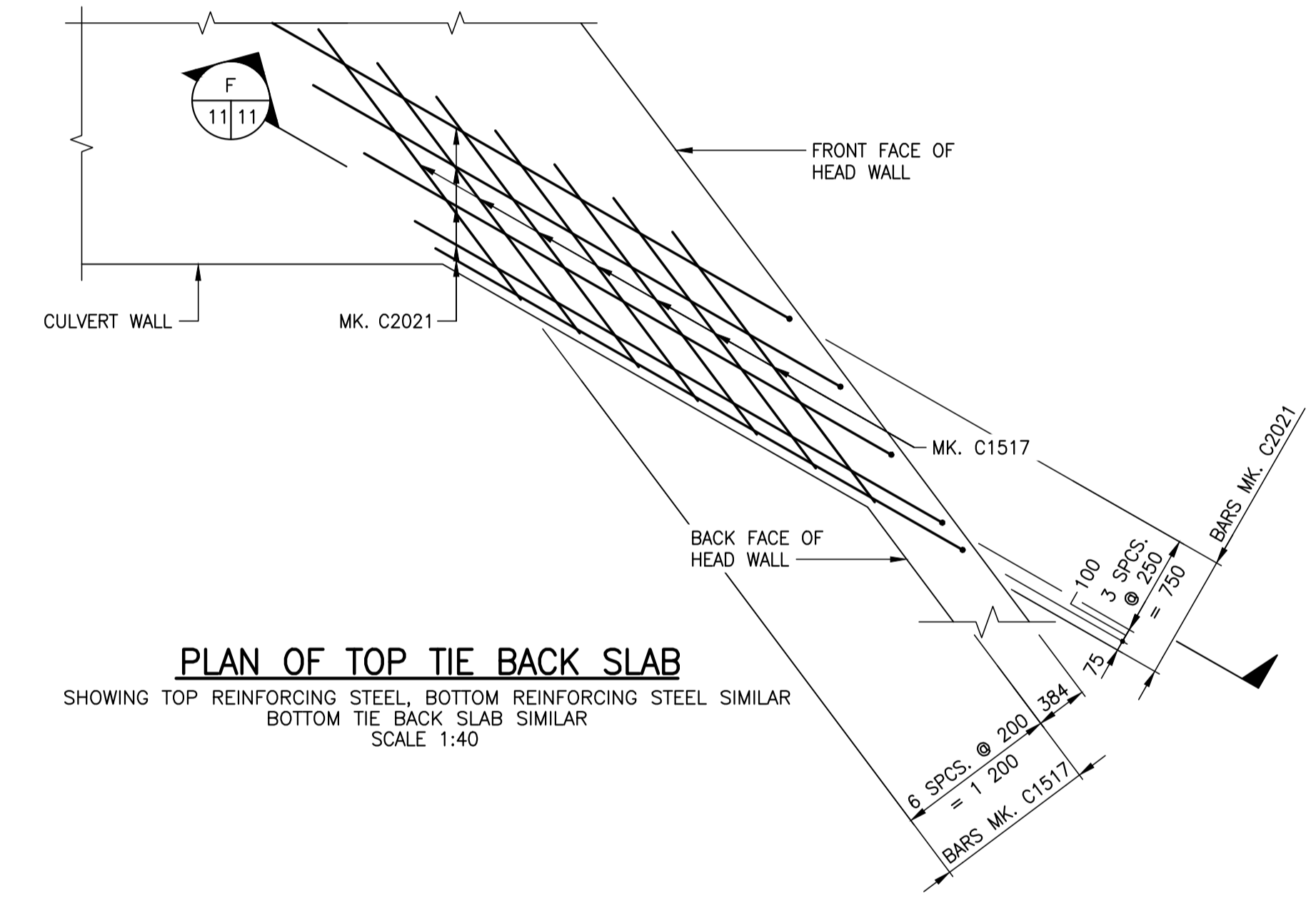
**EAST HEAD WALL AND WING WALL ELEVATION**  
 SHOWING REINFORCING STEEL IN REAR FACE OF HEAD WALL AND WING WALL  
 SCALE 1:40

**NOTE**

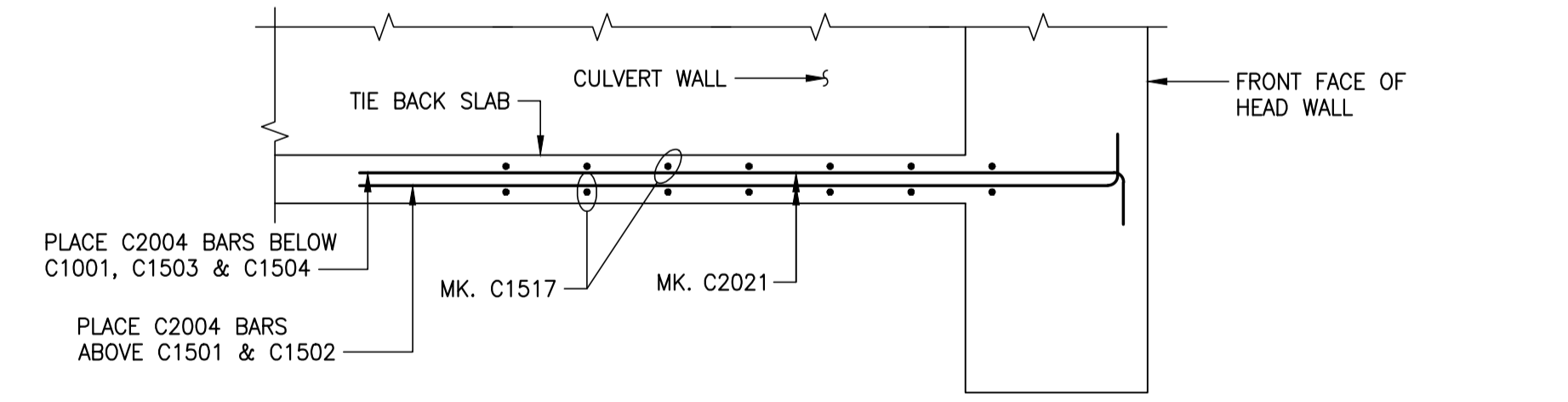
- FOR SECTION G-G, H-H, I-I, J-J, AND K-K SEE SHEET 13.
- FOR BILL OF REINFORCING STEEL, SEE SHEET 21 TO 22.



**PLAN OF TOP TIE BACK SLAB**  
 SHOWING TOP REINFORCING STEEL, BOTTOM REINFORCING STEEL SIMILAR  
 BOTTOM TIE BACK SLAB SIMILAR  
 SCALE 1:40



**PLAN OF TOP TIE BACK SLAB**  
 SHOWING TOP REINFORCING STEEL, BOTTOM REINFORCING STEEL SIMILAR  
 BOTTOM TIE BACK SLAB SIMILAR  
 SCALE 1:40



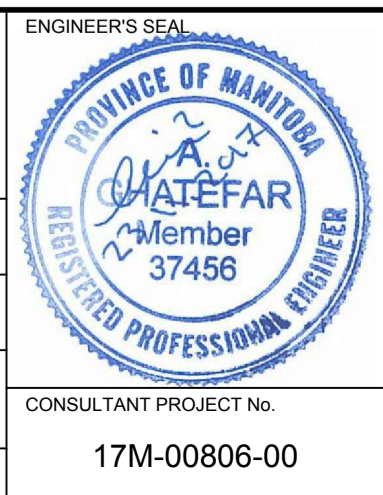
**SECTION F**  
 SECTION 1:40



LOCATIONS APPROVED UNDERGROUND STRUCTURES	
SIGNED BY: SUPV. U/G STRUCTURES	DATE
LOCATION OF UNDERGROUND STRUCTURES AS SHOWN ARE BASED ON THE BEST INFORMATION AVAILABLE BUT NO GUARANTEE IS GIVEN THAT ALL EXISTING UTILITIES ARE SHOWN OR THAT THE GIVEN LOCATIONS ARE EXACT CONFIRMATION OF EXISTENCE AND EXACT LOCATION OF ALL SERVICES MUST BE OBTAINED FROM THE INDIVIDUAL UTILITIES BEFORE PROCEEDING	

G.B.M. = TOP NUT OF FIRST HYDRANT SOUTH OF INTERSECTION BETWEEN NESS AVENUE AND LINWOOD STREET	
ELEV. = 233.659	
DESIGNED BY: AG	CHECKED BY: MLW
DRAWN BY: FD	APPROVED BY: JL
HOR. SCALE: 1:40	RELEASED FOR CONSTRUCTION
VERTICAL SCALE: 1:40	DATE
0 ISSUED FOR TENDER	17.11.23
No. REVISIONS	DATE BY
	17.11.23

WSP Canada Group Limited 93 Lombard Avenue, Suite 111 Winnipeg MB R3B 3B1 T+ 1 204-943-3178 F+ 1 204-943-4948 www.wsp.com	
DESIGNED BY: AG	CHECKED BY: MLW
DRAWN BY: FD	APPROVED BY: JL
HOR. SCALE: 1:40	RELEASED FOR CONSTRUCTION
VERTICAL SCALE: 1:40	DATE
0 ISSUED FOR TENDER	17.11.23



**METRIC**  
 WHOLE NUMBERS INDICATE MILLIMETRES  
 DECIMALIZED NUMBERS INDICATE METRES

**THE CITY OF WINNIPEG**  
 PUBLIC WORKS DEPARTMENT  
 ENGINEERING DIVISION

**TRURO CREEK CULVERT REPLACEMENT AT WINCHESTER STREET**

REINFORCING DETAILS (SHEET 2 OF 5)

CITY DRAWING NUMBER: C322-17-11  
 BID OPPORTUNITY NUMBER: 1014-2017  
 SHEET OF: 11 OF 25  
 REV 0

CONSULTANT PROJECT No. 17M-0806-00