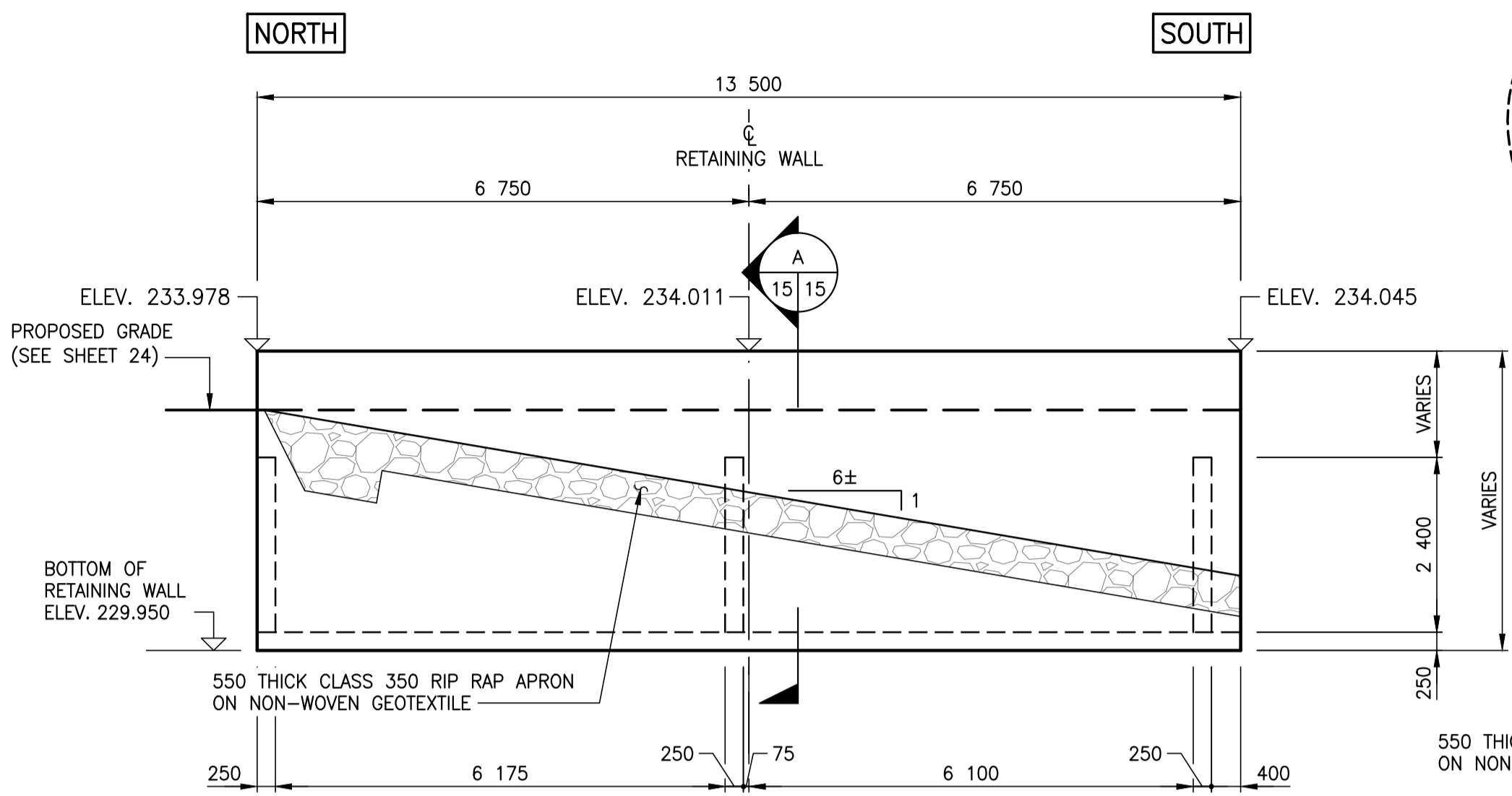
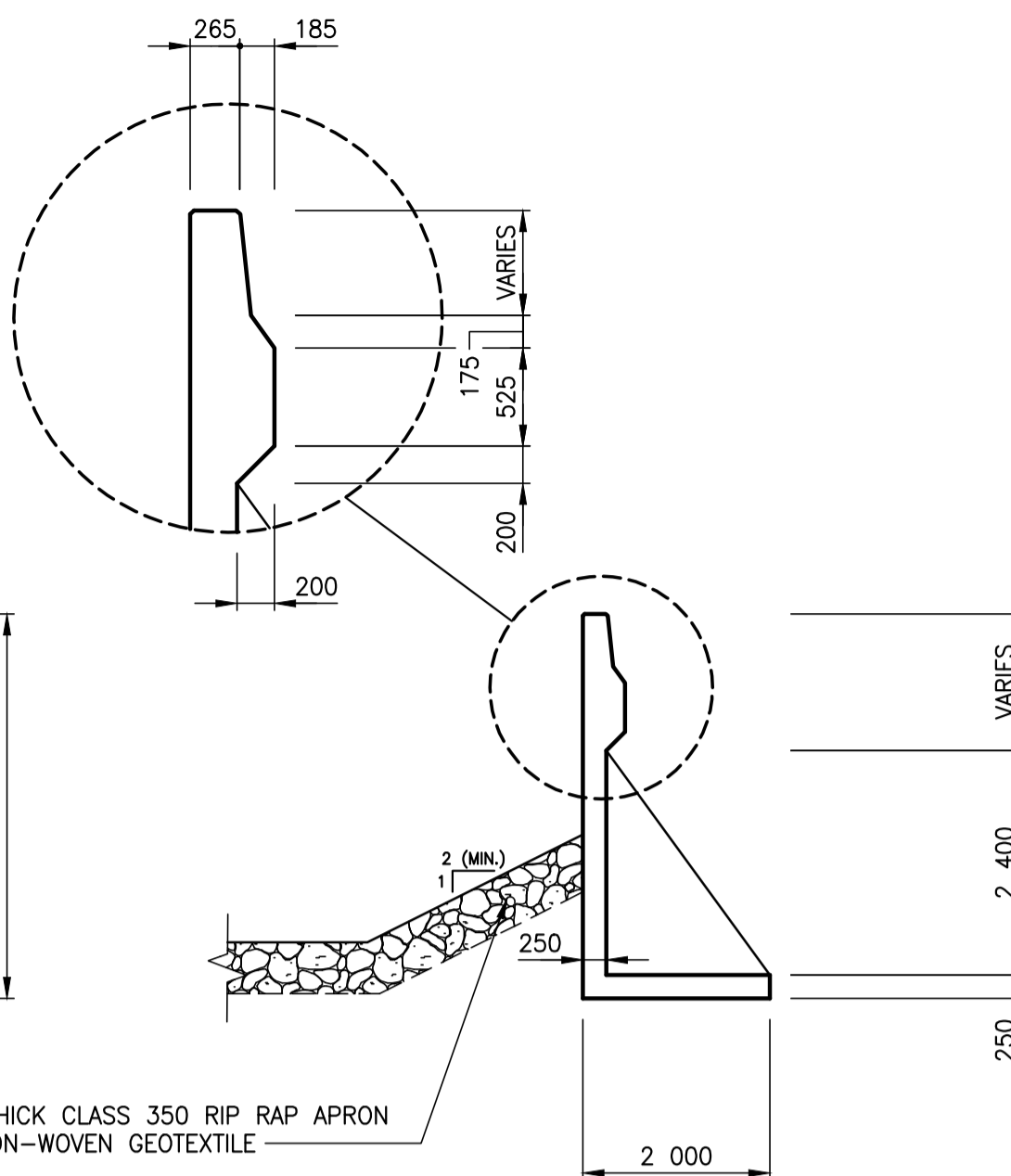


A1 SIZE (594 mm x 841 mm)

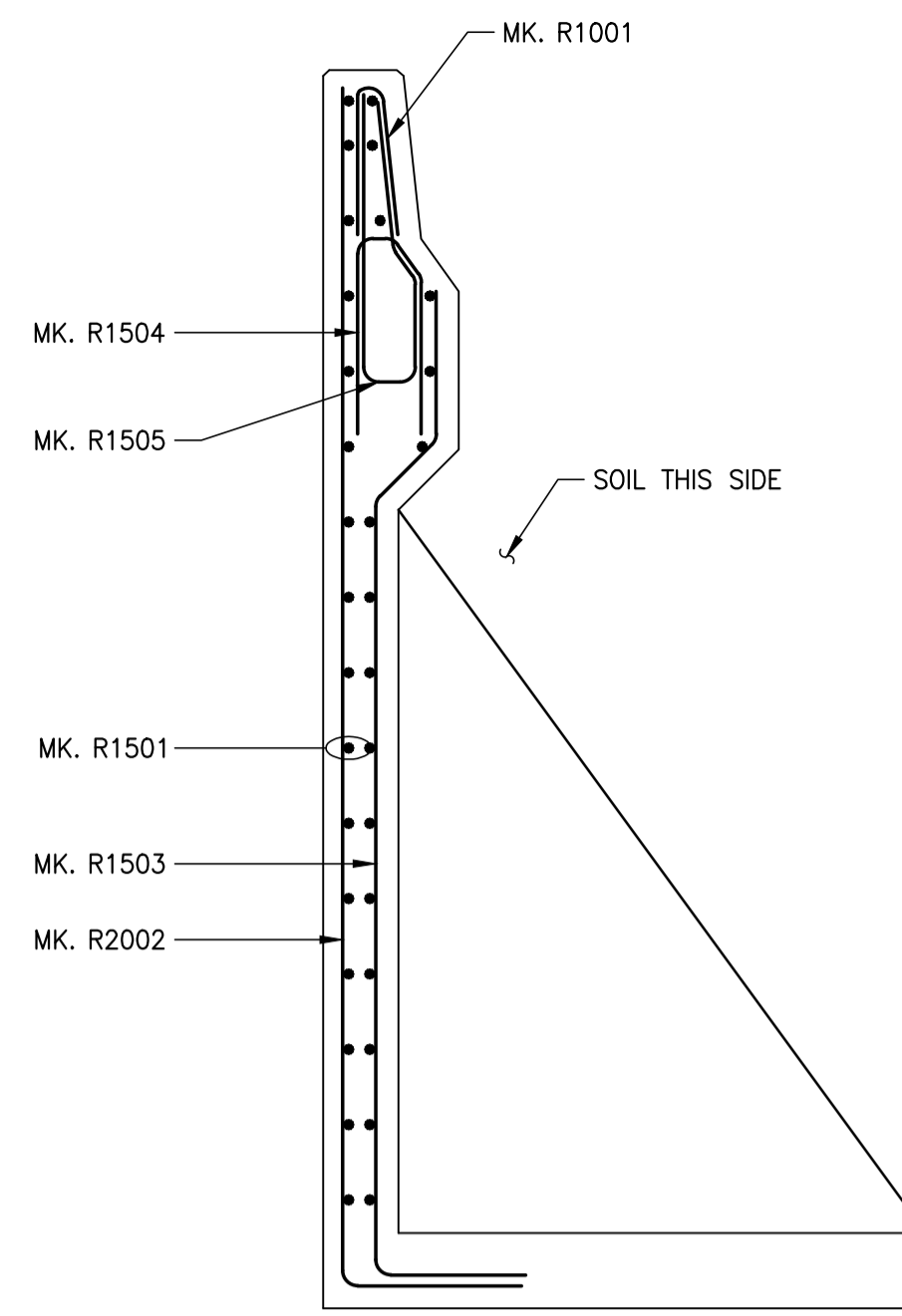
Printed: November 24, 2017 at 10:22:11 AM | Last saved by: djdjdf  
File: P:\2017\17M-0806-00 - Truro Creek Culvert Replacements\MM Drawings\17M-0806-00 Truro Creek Culvert Replacements DD Winchester 08-15 Retaining Wall Details | Layout: 15 Retaining Wall Details



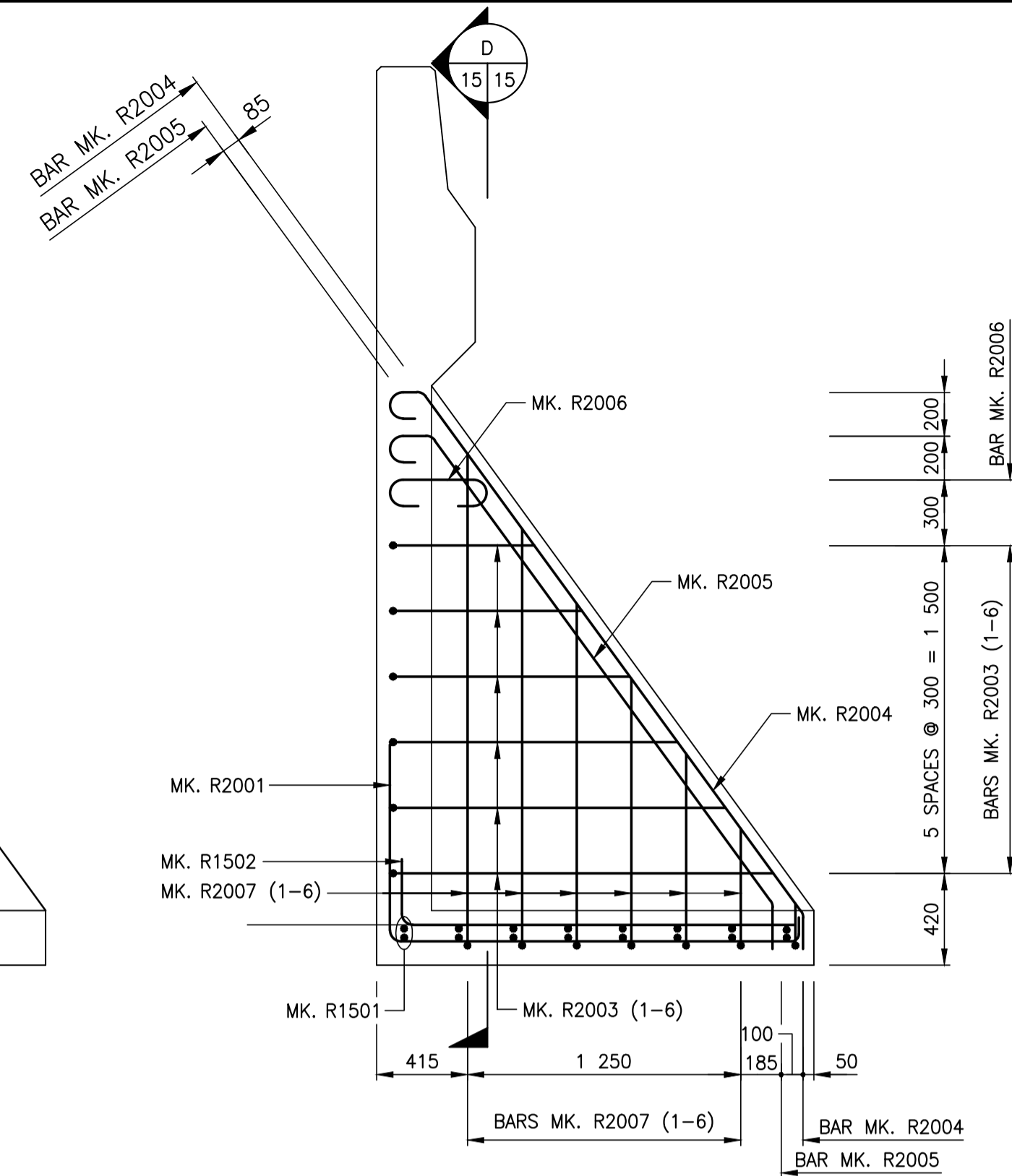
**RETAINING WALL ELEVATION**  
SCALE 1:75



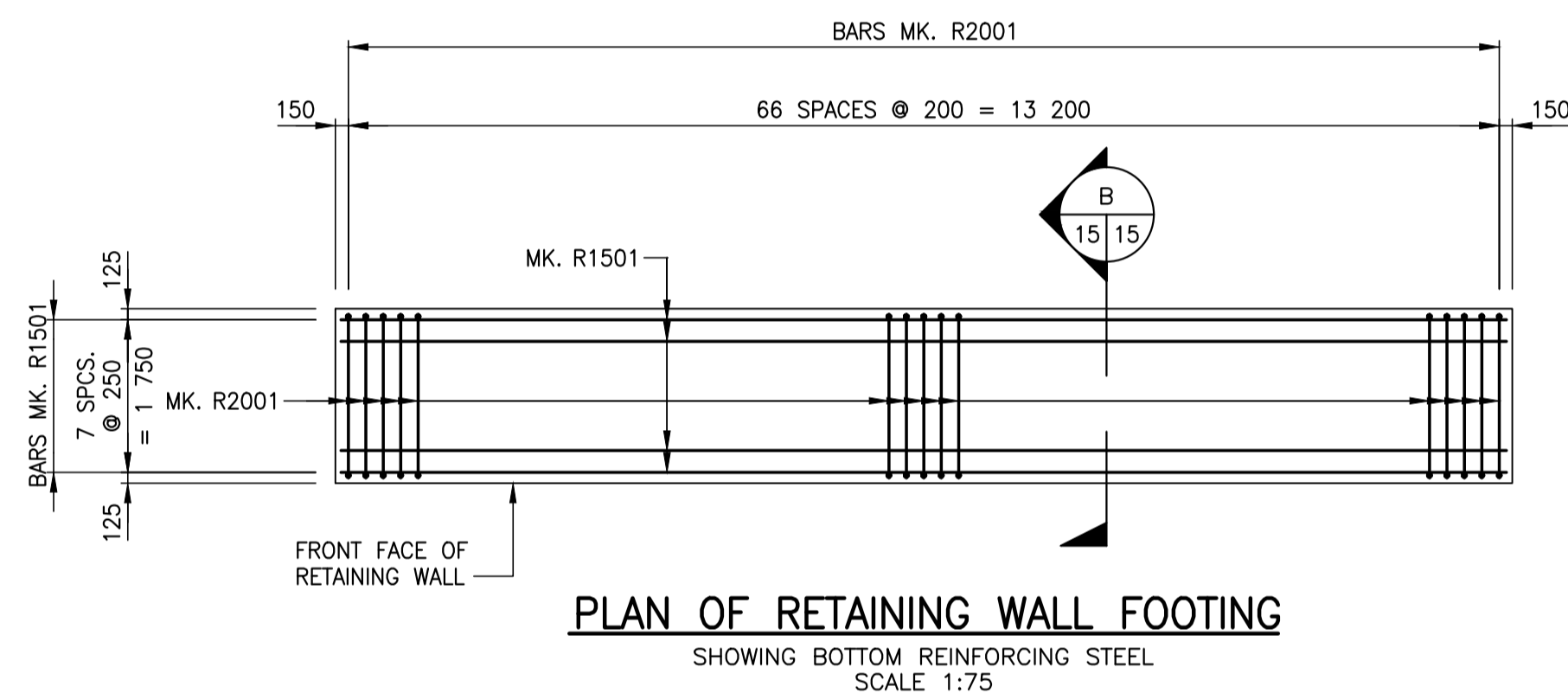
**SECTION A**  
SECTION 1:75



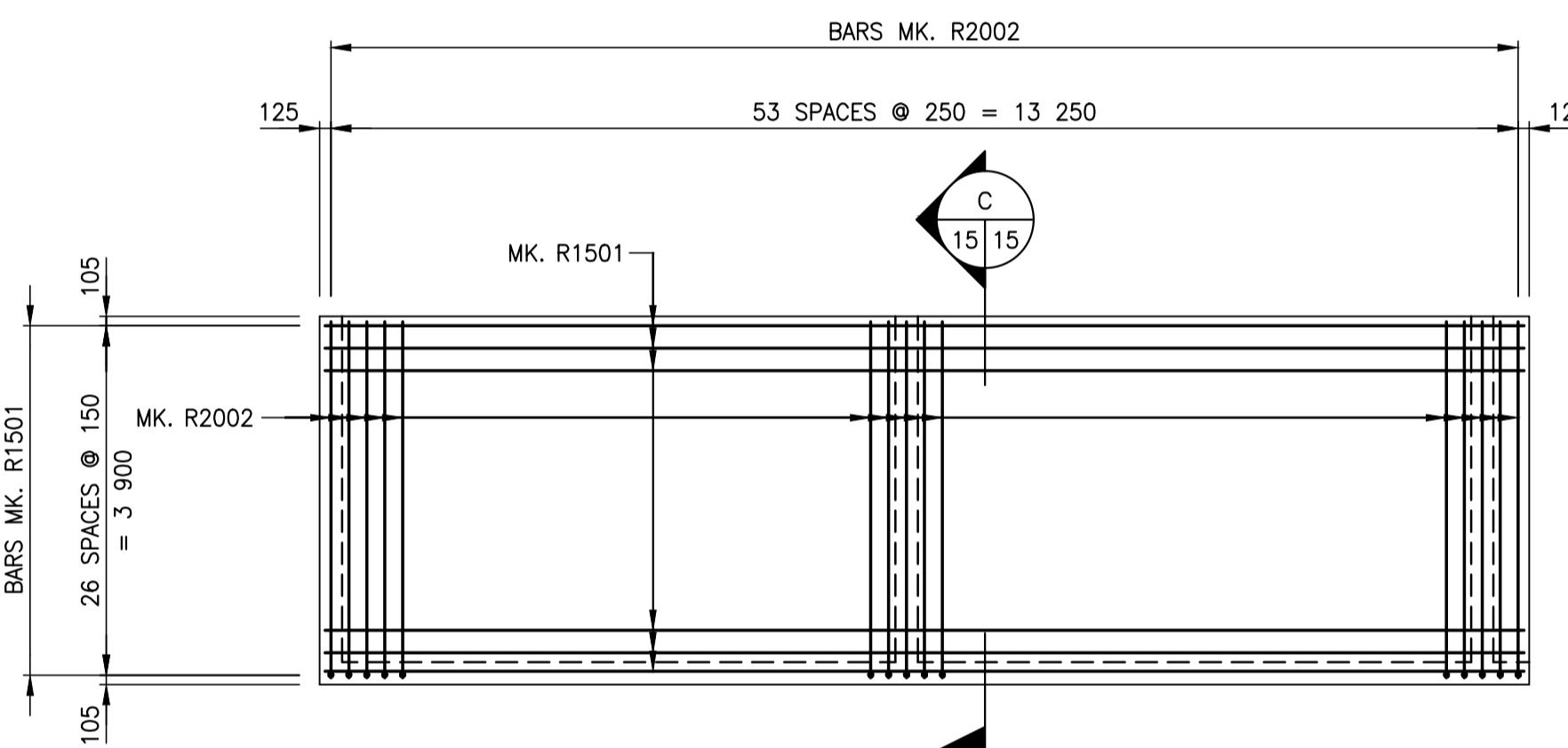
**SECTION C**  
SCALE 1:25



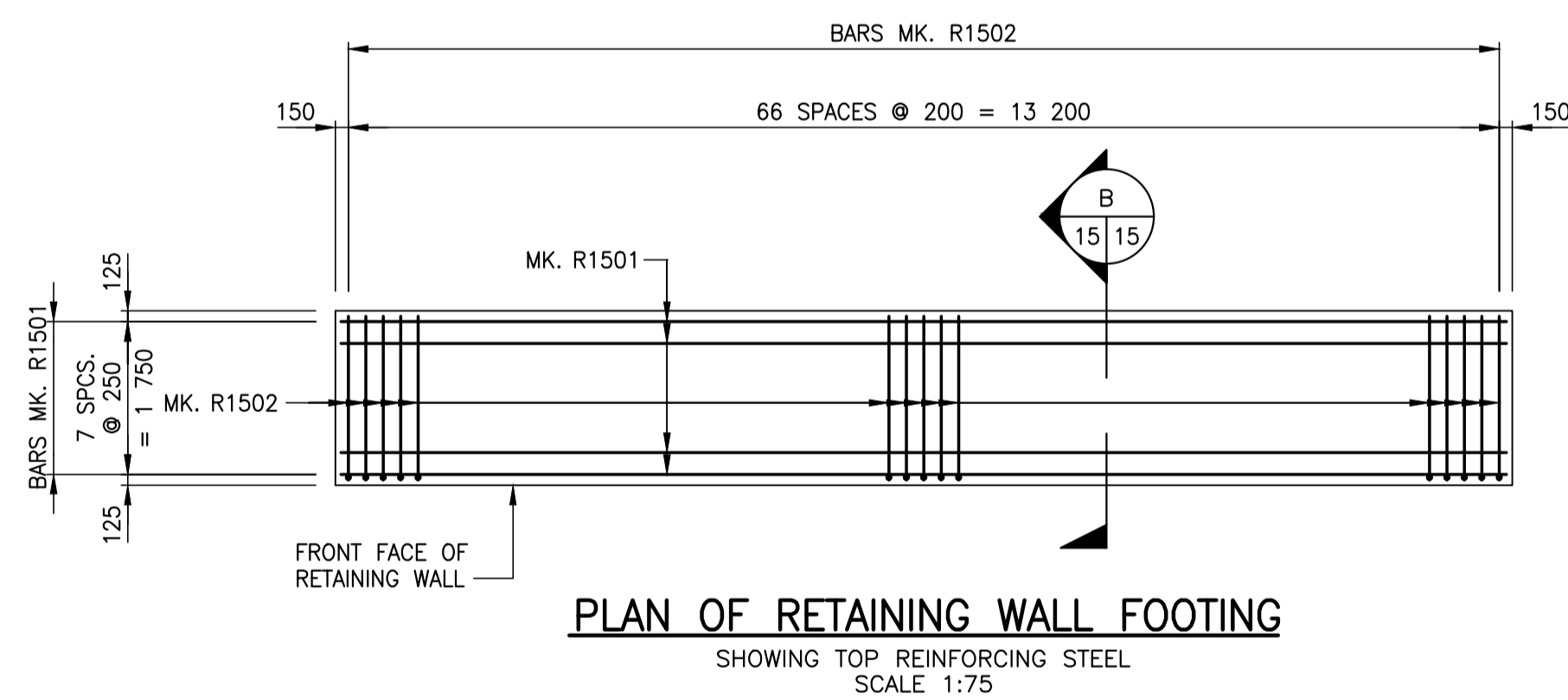
**STRONG BACK REINFORCING DETAIL**  
SCALE 1:25



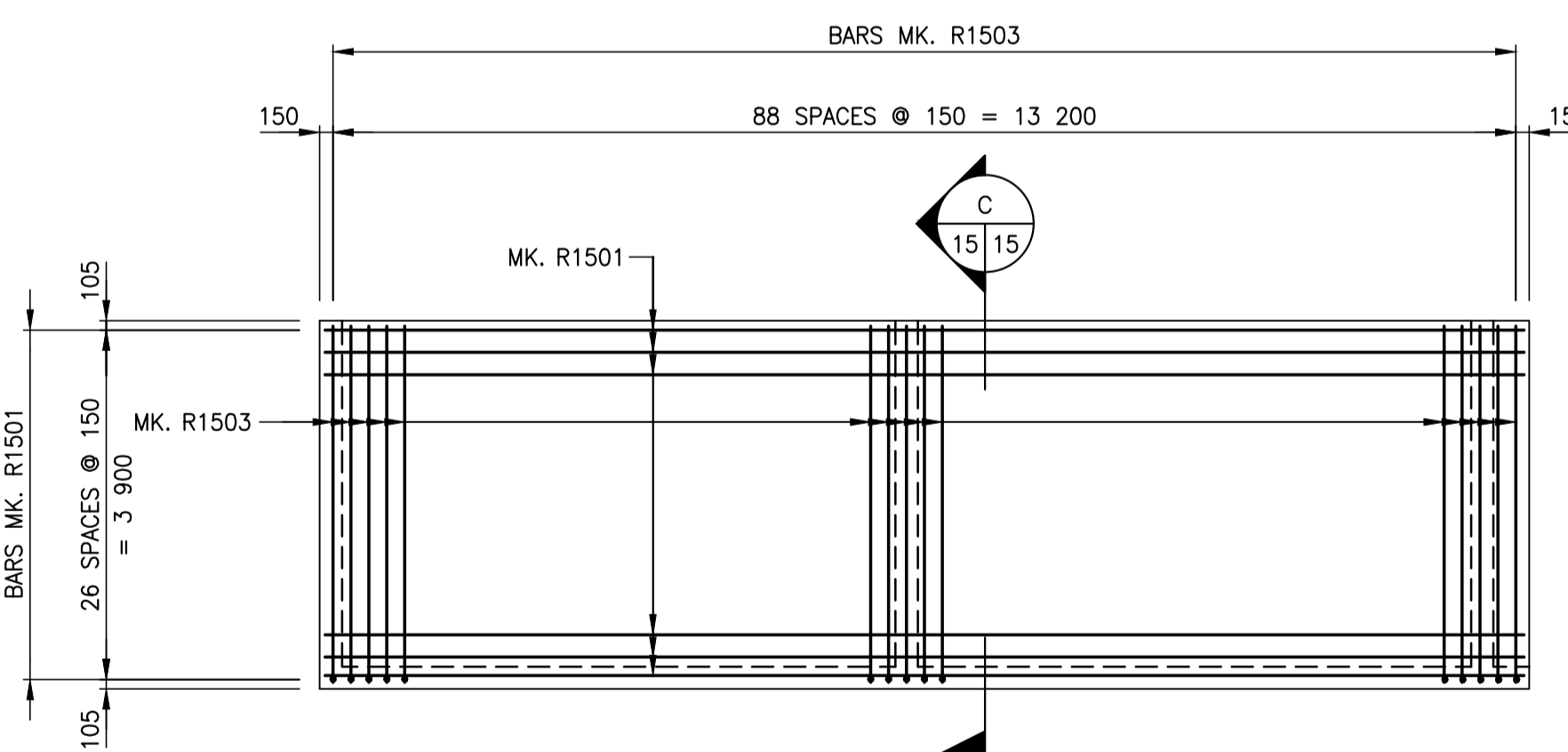
**PLAN OF RETAINING WALL FOOTING**  
SHOWING BOTTOM REINFORCING STEEL  
SCALE 1:75



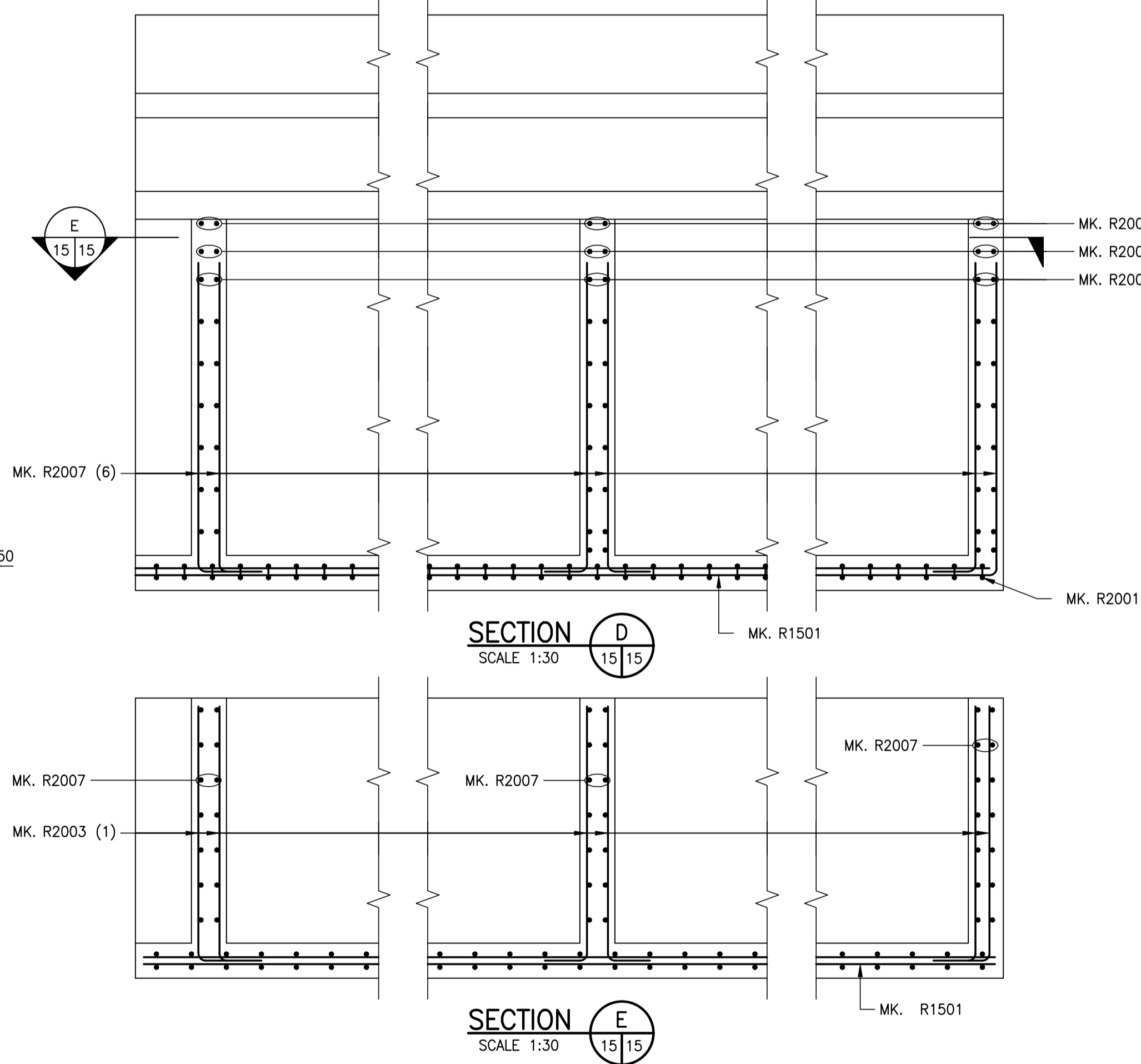
**RETAINING WALL ELEVATION**  
SHOWING FRONT REINFORCING STEEL.  
SCALE 1:75



**PLAN OF RETAINING WALL FOOTING**  
SHOWING TOP REINFORCING STEEL  
SCALE 1:75

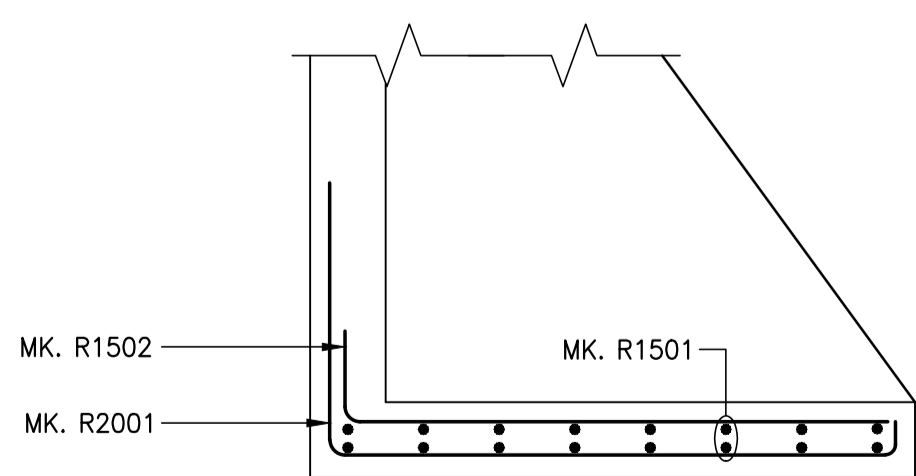


**RETAINING WALL ELEVATION**  
SHOWING REAR REINFORCING STEEL.  
SCALE 1:75



**NOTE**

1. FOR BILL OF REINFORCING STEEL, SEE SHEET 23.



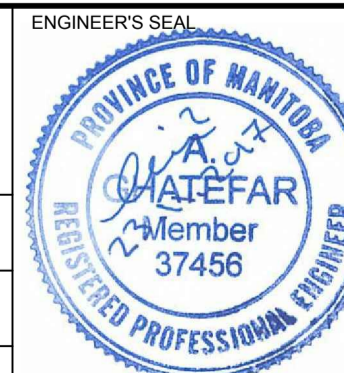
**SECTION B**  
SCALE 1:25



LOCATIONS APPROVED UNDERGROUND STRUCTURES		G.B.M. = TOP NUT OF FIRST HYDRANT SOUTH OF INTERSECTION BETWEEN NESS AVENUE AND LINWOOD STREET ELEV. = 233.659	
SIGNED BY:	DATE:	DESIGNED BY:	DATE:
SUPV U/G STRUCTURES		AG	17.11.23
LOCATION OF UNDERGROUND STRUCTURES AS SHOWN ARE BASED ON THE BEST INFORMATION AVAILABLE BUT NO GUARANTEE IS GIVEN THAT ALL EXISTING UTILITIES ARE SHOWN OR THAT THE GIVEN LOCATIONS ARE EXACT CONFIRMATION OF EXISTANCE AND EXACT LOCATION OF ALL SERVICES MUST BE OBTAINED FROM THE INDIVIDUAL UTILITIES BEFORE PROCEEDING		DRAWN BY:	DATE:
		FD	17.11.23
0	ISSUED FOR TENDER	HOR. SCALE	AS NOTED
No.	REVISIONS	VERTICAL	AS NOTED
		RELEASED FOR CONSTRUCTION	DATE:
			17.11.23



WSP Canada Group Limited 93 Lombard Avenue, Suite 111 Winnipeg MB R3B 3B1 T+ 1 204-943-3178 F+ 1 204-943-4948 www.wsp.com	
DESIGNED BY:	CHECKED BY:
AG	MLW
DRAWN BY:	APPROVED BY:
FD	JL
HOR. SCALE	RELEASED FOR CONSTRUCTION
AS NOTED	DATE:
AS NOTED	



CONSULTANT PROJECT No. 17M-0806-00

**THE CITY OF WINNIPEG**  
PUBLIC WORKS DEPARTMENT  
ENGINEERING DIVISION

**TRURO CREEK CULVERT REPLACEMENT AT WINCHESTER STREET**

CITY DRAWING NUMBER: C322-17-15  
BID OPPORTUNITY NUMBER: 1014-2017  
SHEET OF: 15 OF 25  
REV 0

**METRIC**  
WHOLE NUMBERS INDICATE MILLIMETRES  
DECIMALIZED NUMBERS INDICATE METRES

RETAINING WALL DETAILS