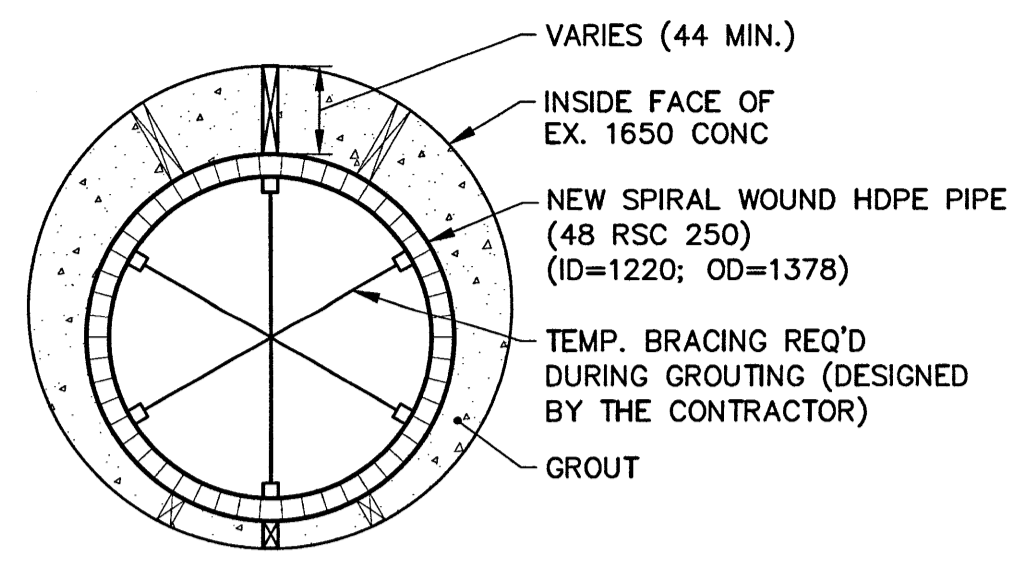
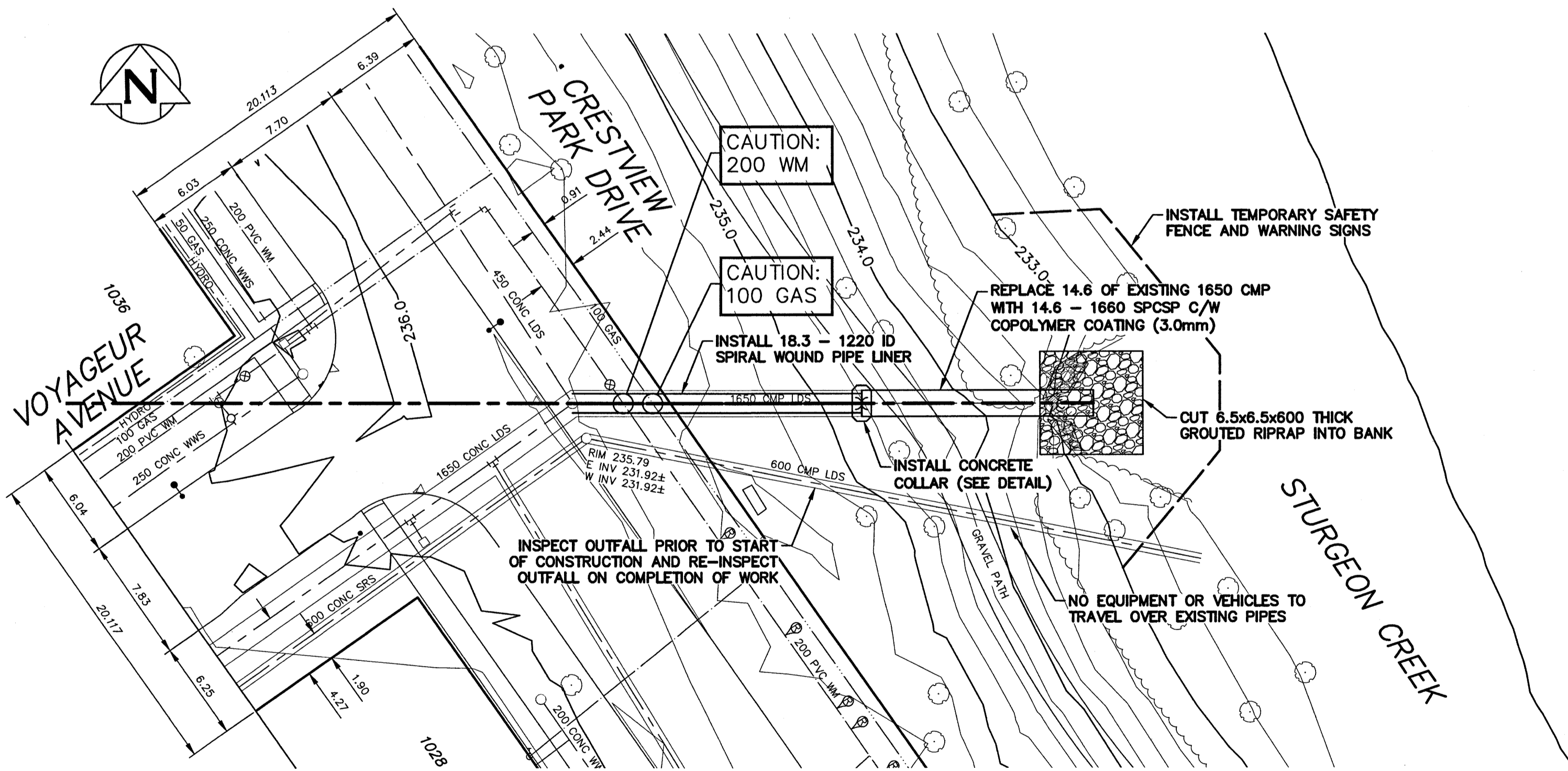
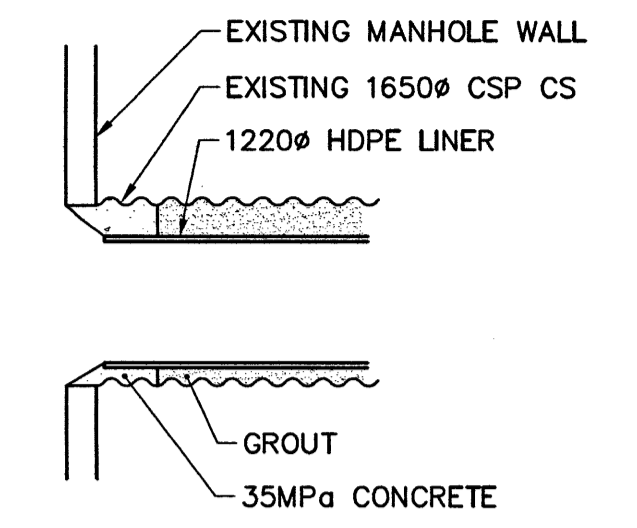


NOTE: CHAINAGES SHOWN ARE ALONG  
 CL OF 1650 CONC LDS

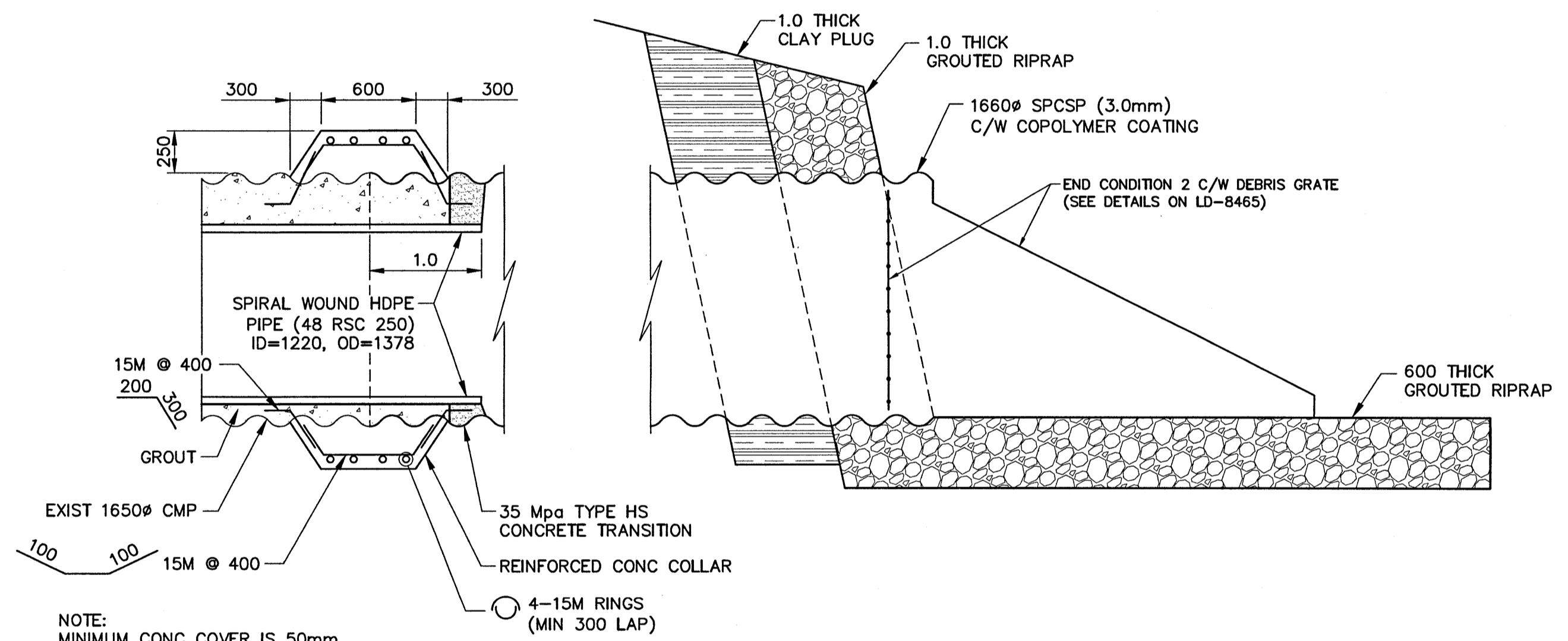


NOTE:  
 INSTALLATION OF SPIRAL WOUND HDPE REQUIRES SPACERS AND OR WEIGHTS TO ENSURE LINER REMAINS IN DESIGNED POSITION (SPACERS DESIGNED BY THE CONTRACTOR)

PIPE LINER DETAIL  
 SCALE: N.T.S.



PIPE TO MANHOLE CONNECTION DETAIL  
 SCALE: N.T.S.

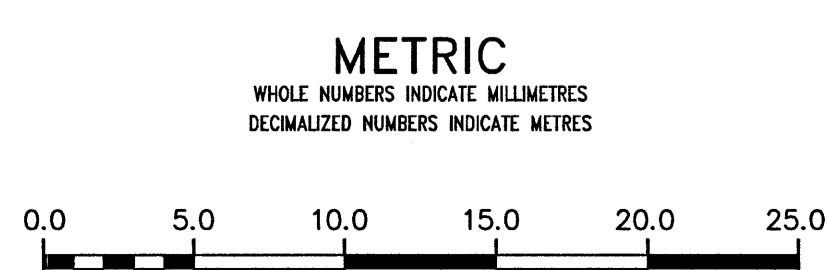


NOTE:  
 MINIMUM CONC COVER IS 50mm

CONCRETE COLLAR AND END SECTION DETAIL  
 SCALE: N.T.S.

- NOTES:
1. CONSTRUCT CLAY COFFER DAM AT CREEK AS REQUIRED. SEE DWG LD-8465.
  2. ALL EXCAVATED MATERIAL WITHIN 107.0 OF THE REGULATED SUMMER RIVER LEVEL (RSRL) MUST BE REMOVED FROM SITE (NO STOCK PILING).
  3. CLEAN EXISTING OUTFALL PIPE OF SEDIMENT.
  4. CONTRACTOR TO PROVIDE PROPER WARNING SIGNS ALONG ROAD CONCERNING WORK SITE.
  5. CONTRACTOR TO RESTORE ROADS, PATHWAYS AND LANDSCAPING FEATURES TO PRE-CONSTRUCTION CONDITION.
  6. WINTER WATER MAIN BREAKS MAY RESULT IN OVER TOPPING WEIR AND ENTIRE OUTFALL.

**PROPERTY LIMITS DELINEATION**  
 DELINEATION OF PROPERTY LIMITS AS SHOWN ON THIS DWG DOES NOT REPRESENT A "LEGAL SURVEY". KGS GROUP MAKES NO REPRESENTATION OR WARRANTY AS TO THE ACCURACY OF PROPERTY LIMITS DELINEATED ON THIS DWG, NOR ON THE DIMENSIONAL ACCURACY OF DWG FEATURES RELATIVE TO THOSE PROPERTY LIMITS.



**WARNING**  
 IF POWER EQUIPMENT OR EXPLOSIVES ARE TO BE USED FOR EXCAVATION ON THIS PROJECT THE CONTRACTOR MUST:  
 1) NOTIFY THE GAS COMPANY OF THE PROPOSED LOCATION OF EXCAVATION.  
 2) TAKE PRECAUTION TO AVOID DAMAGE TO GAS COMPANY INSTALLATIONS.  
 SEE PROVINCIAL REGULATION 210/72 FOR DETAILS

**LOCATION APPROVED UNDERGROUND STRUCTURES**  
 SUPV. U/G STRUCTURES COMMITTEE DATE  
 NOTE:  
 LOCATION OF UNDERGROUND STRUCTURES AS SHOWN ARE BASED ON THE BEST INFORMATION AVAILABLE BUT NO GUARANTEE IS GIVEN THAT ALL EXISTING UTILITIES ARE SHOWN OR THAT THE GIVEN LOCATIONS ARE EXACT. CONFIRMATION OF EXISTENCE AND EXACT LOCATION OF ALL UTILITIES MUST BE OBTAINED FROM THE INDIVIDUAL UTILITIES BEFORE PROCEEDING WITH CONSTRUCTION.

B.M.	ELEV.	NO.	REVISIONS	DATE	BY
		1	REISSUED FOR CONSTRUCTION	2017 12 13	RBO
		0	ISSUED FOR CONSTRUCTION	2017 12 05	RBO

DESIGNED BY	NGV	CHECKED BY	RBO
DRAWN BY	GEL	APPROVED BY	RBO
SCALE:		RELEASED FOR CONSTRUCTION	KZ
HORIZONTAL	1:250	DATE	2017 12 04
VERTICAL	1:50		

**APEGN**  
 Certificate of Authorization  
 KGS Group  
 No. 245

ENGINEER'S SEAL  
  
 CONSULTANT DRAWING NUMBER  
 17-0107-020\_LD-8456

**THE CITY OF WINNIPEG**  
 WATER AND WASTE DEPARTMENT  
 ENGINEERING DIVISION  
 2018 OUTFALL RENEWAL  
 REHABILITATION PROGRAM  
**VOYAGEUR AVENUE OUTFALL (ST-21)**  
 PLAN AND PROFILE  
 S-MA20002394

SHEET 3 OF 16  
 CITY DRAWING NUMBER  
 LD-8456