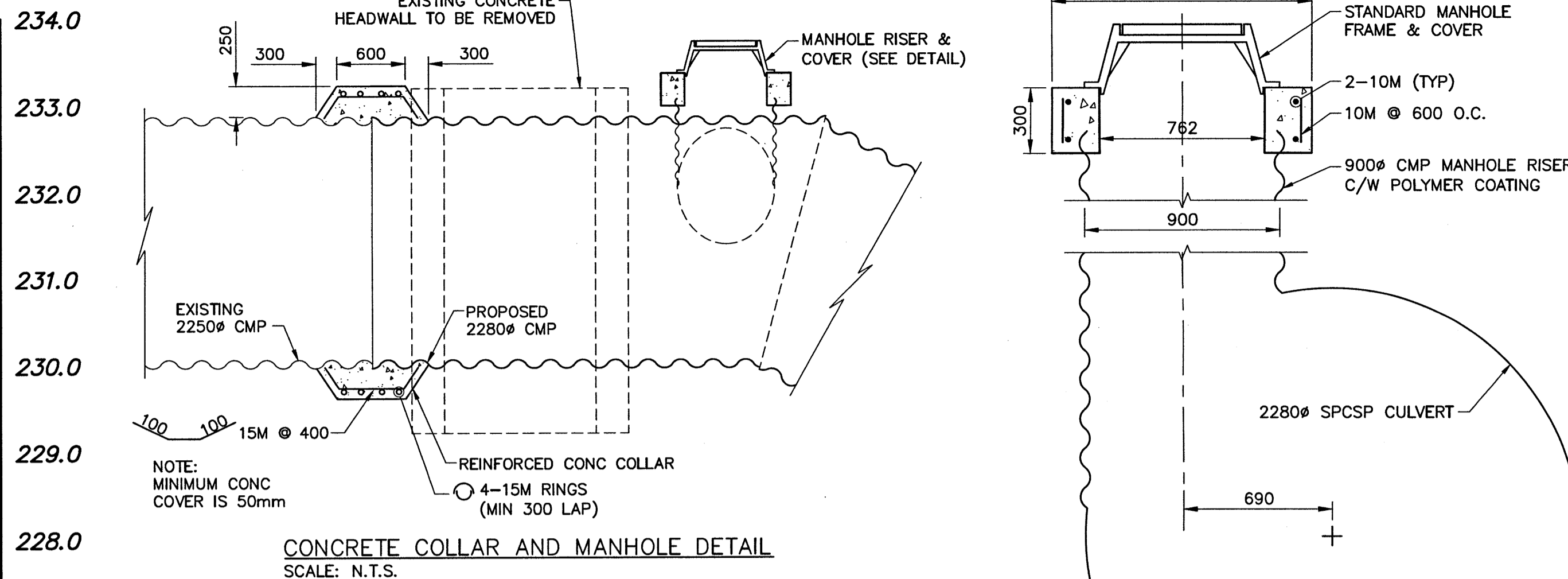
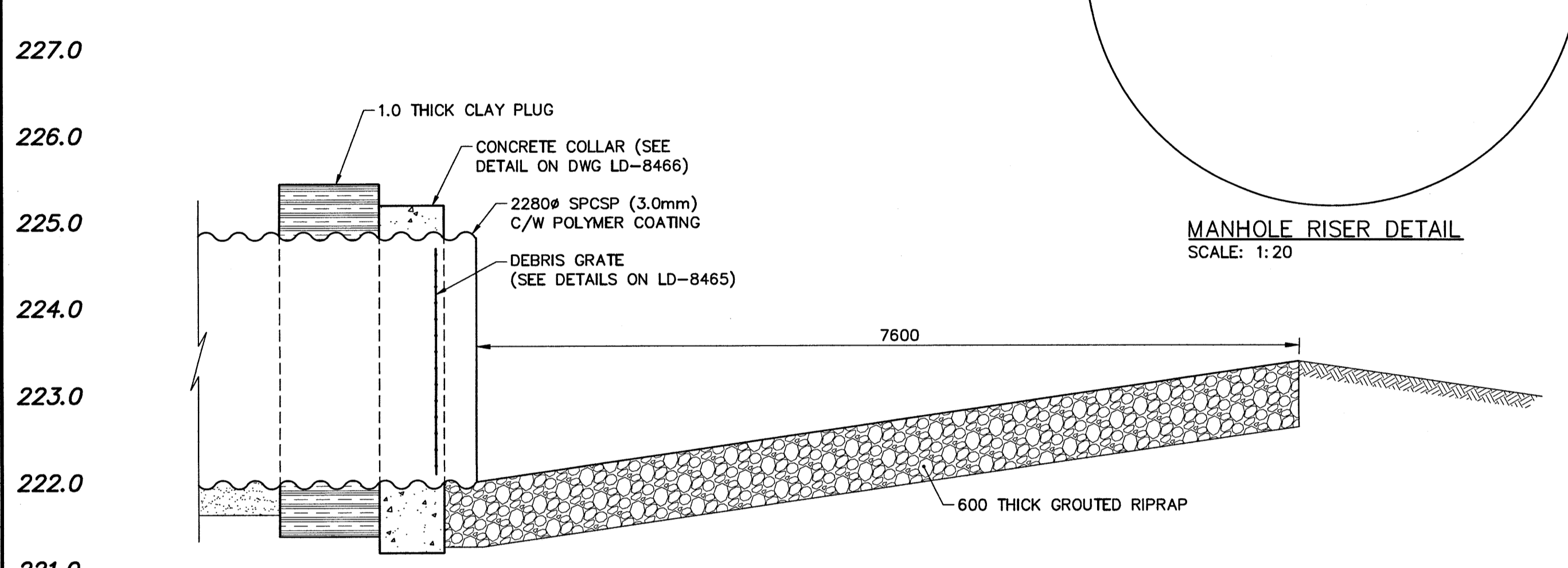


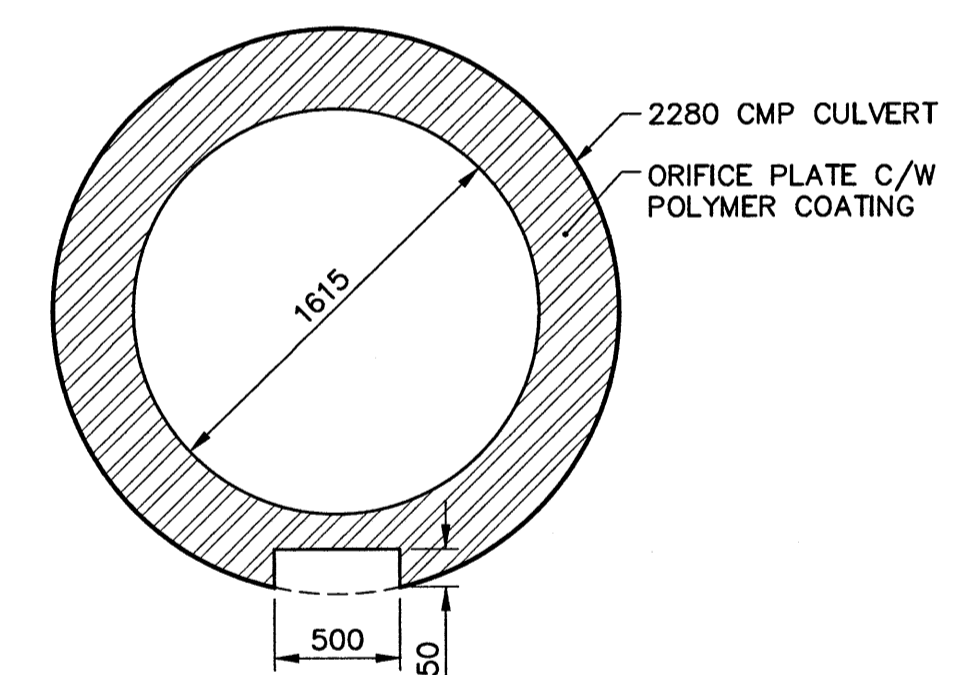
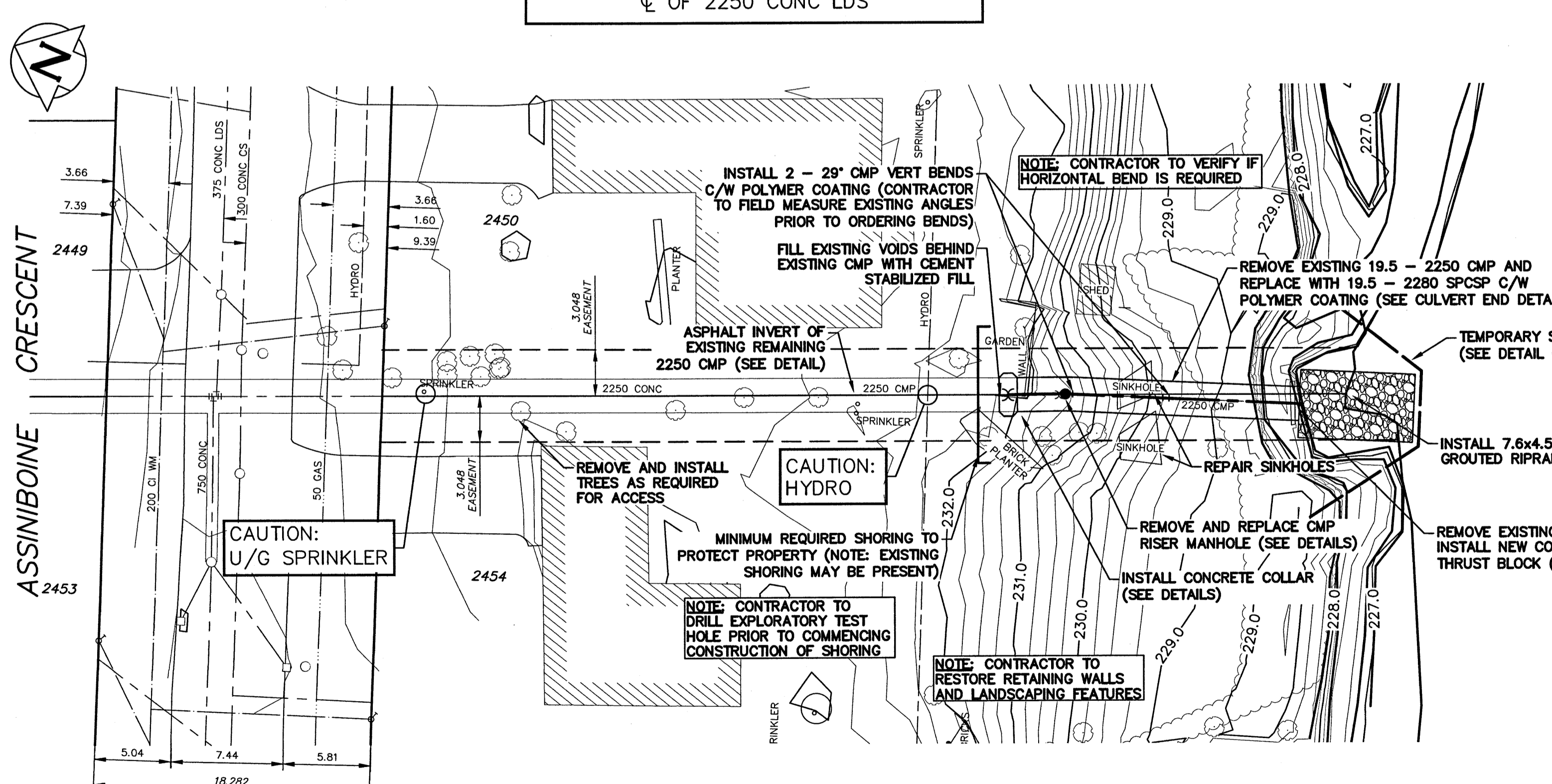
NOTE: CHAINAGES SHOWN ARE ALONG  
 CL OF 2250 CONC LDS



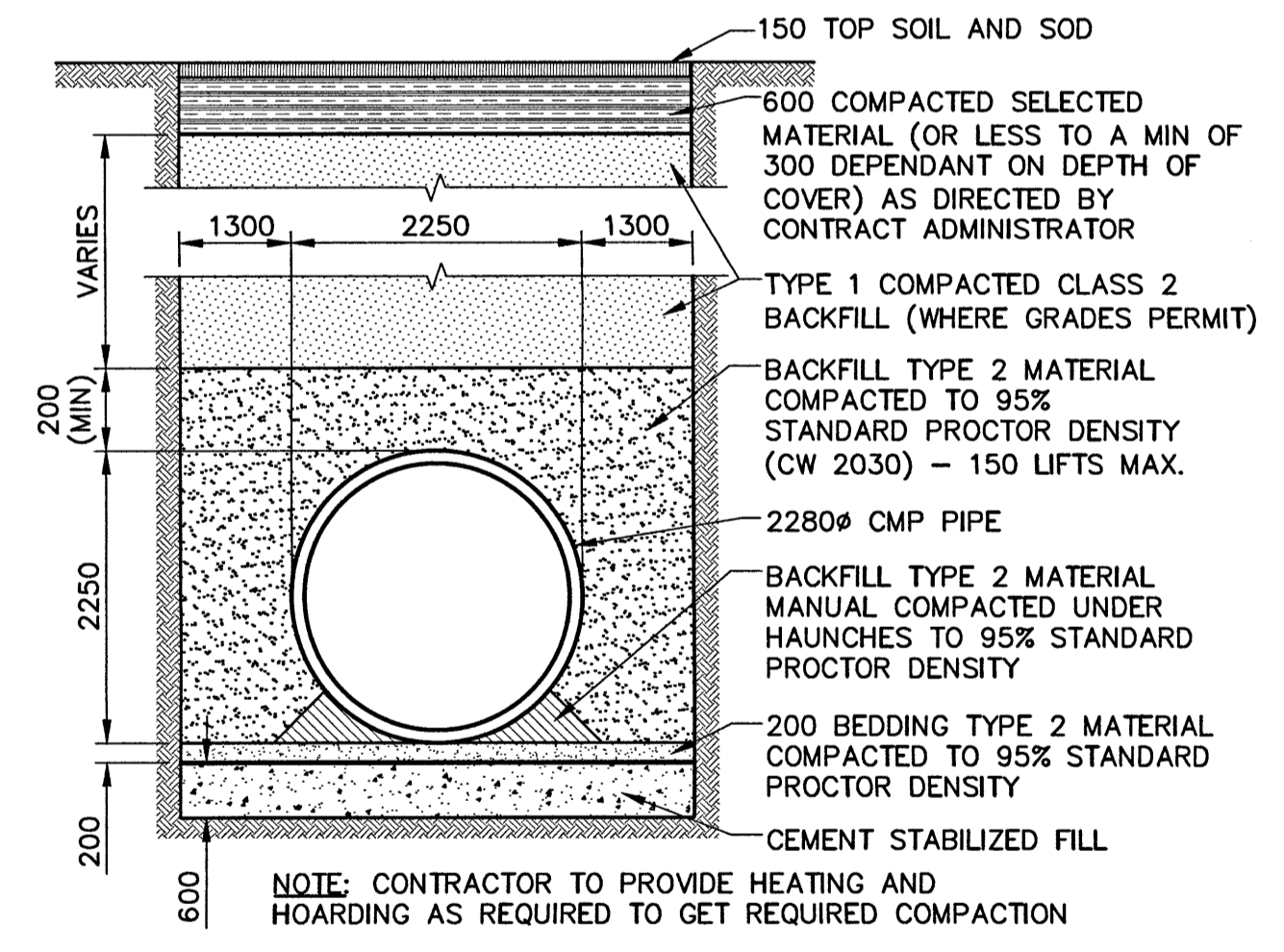
CONCRETE COLLAR AND MANHOLE DETAIL  
 SCALE: N.T.S.



CONCRETE HEADWALL AND CULVERT END DETAIL  
 SCALE: N.T.S.



ORIFICE PLATE DETAIL  
 SCALE: 1:30



PIPE BEDDING DETAIL  
 SCALE: N.T.S.

- NOTES:
- CLEAN EXISTING OUTFALL PIPE OF SEDIMENT.
  - CONSTRUCT CLAY COFFERDAM AT RIVER AS REQUIRED (SEE DWG LD-8465).
  - ALL EXCAVATED MATERIAL WITHIN 107.0 OF THE REGULATED SUMMER RIVER LEVEL (RSRL) MUST BE REMOVED FROM SITE (NO STOCKPILING).
  - STONE RETAINING WALLS, PATHWAYS, AND OTHER LANDSCAPING FEATURES TO BE REPLACED TO PRE-CONSTRUCTION CONDITIONS.
  - REMOVE AND INSTALL NEW TREES AS DIRECTED BY THE CONTRACT ADMINISTRATOR.
  - CONTRACTOR TO SUBMIT SHORING SHOP DRAWINGS PRIOR TO CONSTRUCTION.
  - CONTRACTOR TO DRILL VERIFICATION TEST HOLE PRIOR TO COMMENCING CONSTRUCTION OF SHORING.
  - ALL CMP AND CMP CONNECTIONS SHALL BE POLYMER COATED.
  - CONTRACTOR TO ARRANGE FOR TEMPORARY HYDRO LINE RAISING AS REQUIRED.

**PROPERTY LIMITS DELINEATION**  
 DELINEATION OF PROPERTY LIMITS AS SHOWN ON THIS DWG DOES NOT REPRESENT A "LEGAL SURVEY". KGS GROUP MAKES NO REPRESENTATION OR WARRANTY AS TO THE ACCURACY OF PROPERTY LIMITS DELINEATED ON THIS DWG, NOR ON THE DIMENSIONAL ACCURACY OF DWG FEATURES RELATIVE TO THOSE PROPERTY LIMITS.

**APEGM**  
 Certificate of Authorization  
 KGS Group  
 No. 245

ENGINEER'S SEAL  
  
 R.B. OFFMAN  
 Member 24701  
 Registered Professional Engineer

**THE CITY OF WINNIPEG**  
 WATER AND WASTE DEPARTMENT  
 ENGINEERING DIVISION  
 2018 OUTFALL RENEWAL  
 REHABILITATION PROGRAM  
**ASSINIBOINE CRESCENT OUTFALL (AS-34)**  
 PLAN AND PROFILE  
 S-MA70011382 AND S-MA70011379

SHEET 5 OF 16  
 CITY DRAWING NUMBER  
**LD-8459**

<b>WARNING</b> IF POWER EQUIPMENT OR EXPLOSIVES ARE TO BE USED FOR EXCAVATION ON THIS PROJECT THE CONTRACTOR MUST: 1) NOTIFY THE GAS COMPANY OF THE PROPOSED LOCATION OF EXCAVATION. 2) TAKE PRECAUTION TO AVOID DAMAGE TO GAS COMPANY INSTALLATIONS. SEE PROVINCIAL REGULATION 210/72 FOR DETAILS		<b>LOCATION APPROVED</b> UNDERGROUND STRUCTURES SUPV. U/G STRUCTURES COMMITTEE DATE NOTE: LOCATION OF UNDERGROUND STRUCTURES AS SHOWN ARE BASED ON THE BEST INFORMATION AVAILABLE BUT NO GUARANTEE IS GIVEN THAT ALL EXISTING UTILITIES ARE SHOWN OR THAT THE GIVEN LOCATIONS ARE EXACT. CONFIRMATION OF EXISTENCE AND EXACT LOCATION OF ALL SERVICES MUST BE OBTAINED FROM THE INDIVIDUAL UTILITIES BEFORE PROCEEDING WITH CONSTRUCTION.		B.M. ELEV.	
DESIGNED BY NGV		CHECKED BY RBO		ENGINEER'S SEAL	
DRAWN BY GEL		APPROVED BY RBO		CONSULTANT DRAWING NUMBER 17-0107-020_LD-8459	
SCALE: HORIZONTAL 1:250 VERTICAL 1:50		RELEASED FOR CONSTRUCTION KZ		DATE 2017 12 13	
NO. REVISIONS		DATE		DATE 2017 12 04	

