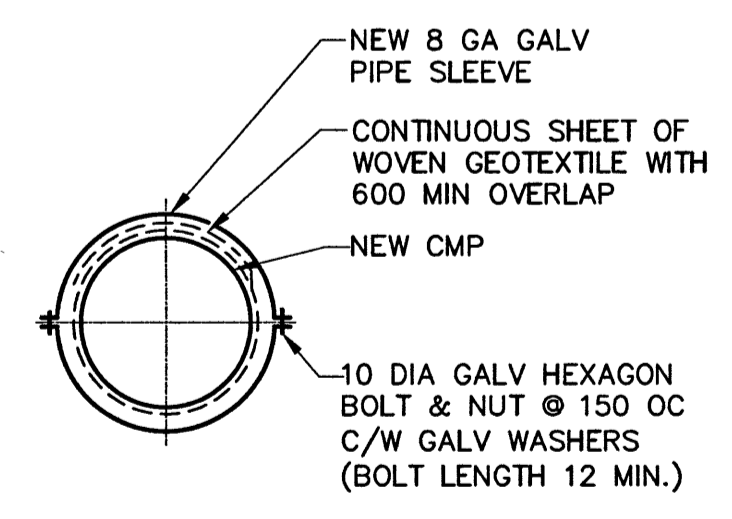
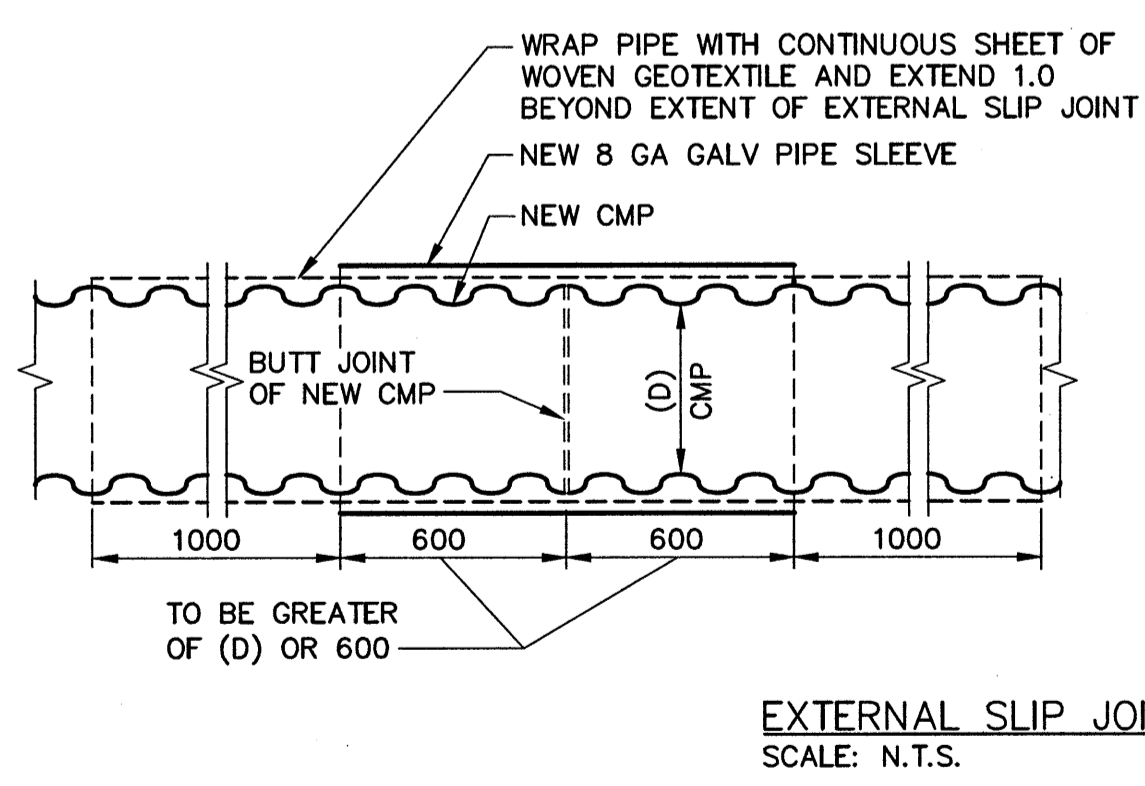
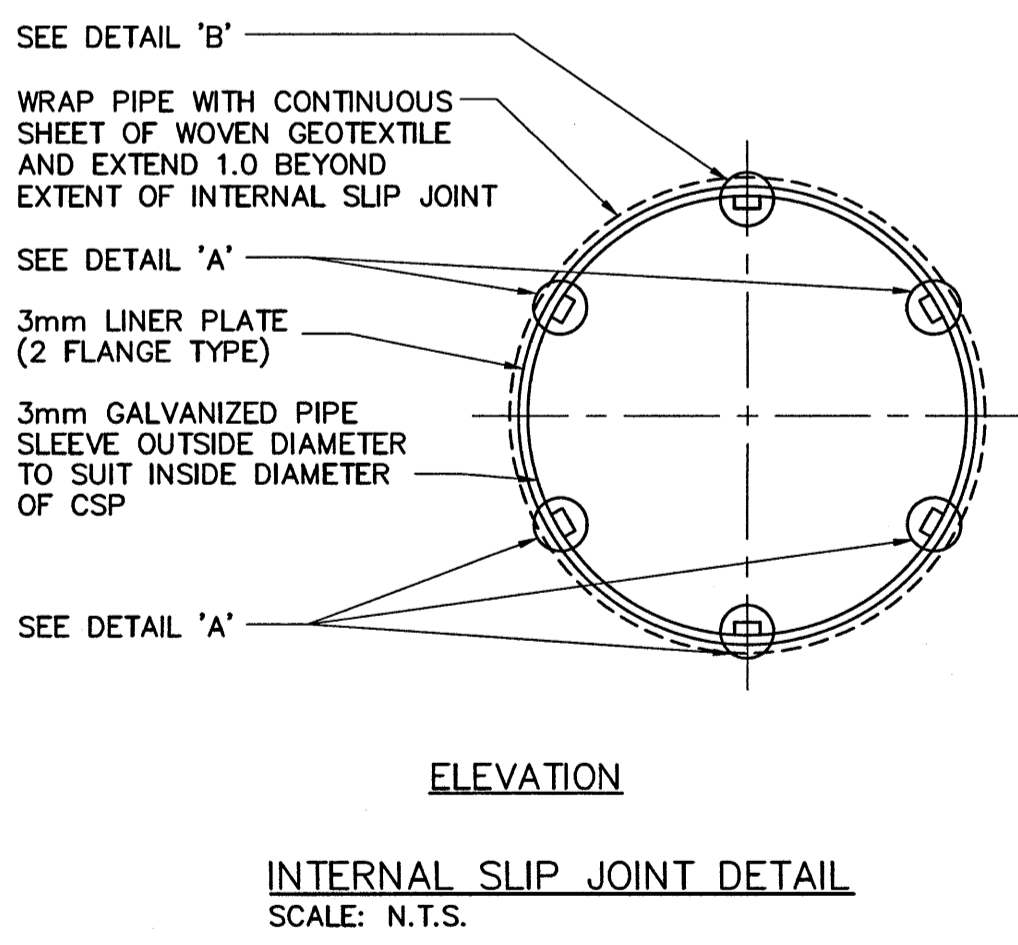


LOCATION	PIPE		END CONDITION	GRATING							
	DIAMETER D	MATERIAL		DIAMETER D1	TYPE	BAR DIA.	A	B	C	N	WEIGHT (lbs)
AMARYNTH CRESCENT (ST-9)	750	CSP	1	735±	X	15	150	90	135	3	25
LOTUS LANE (RR-30)	750	CSP	1	735±	X	15	150	90	135	3	25
LEMAY AVENUE (RR-2)	1050	CSP	1	1035±	X	20	150	135	150	5	
VOYAGEUR AVENUE (ST-21)	1660	SPCSP	1	1635±	X	20	150	150	135	10	145
ASSINBOINE CRESCENT (AS-34)	2280	SPCSP	1	2235±	Y	25	145	130	140	140	338

- NOTE:
- ALL PLATES AND BARS ARE CSA G40.21-300W.
  - ALL COMPONENTS ARE GALVANIZED.
  - ALL BOLTS TO BE TYPE 316 STAINLESS STEEL CONFORMING TO ASTM A320 GRADE B8M



**APEGN**  
Certificate of Authorization  
KGS Group  
No. 245

**KGS GROUP**  
CONSULTING ENGINEERS

ENGINEER'S SEAL  
PROVINCE OF MANITOBA  
REGISTERED PROFESSIONAL ENGINEER  
R.B. OFFMAN  
Member 2470

THE CITY OF WINNIPEG  
WATER AND WASTE DEPARTMENT  
ENGINEERING DIVISION

2018 OUTFALL RENEWAL  
REHABILITATION PROGRAM  
MISCELLANEOUS DETAILS  
SHEET 1 OF 2

SHEET 11 OF 16  
CITY DRAWING NUMBER  
LD-8465

LOCATION APPROVED UNDERGROUND STRUCTURES		B.M. ELEV.
SUPV. U/G STRUCTURES COMMITTEE	DATE	
NOTE:	LOCATION OF UNDERGROUND STRUCTURES AS SHOWN ARE BASED ON THE BEST INFORMATION AVAILABLE BUT NO GUARANTEE IS GIVEN THAT ALL EXISTING UTILITIES ARE SHOWN OR THAT THE GIVEN LOCATIONS ARE EXACT. CONFIRMATION OF EXISTENCE AND EXACT LOCATION OF ALL SERVICES MUST BE OBTAINED FROM THE INDIVIDUAL UTILITIES BEFORE PROCEEDING WITH CONSTRUCTION.	
NO.	REVISIONS	DATE BY
1	ISSUED FOR CONSTRUCTION	2017 12 13 RBO
0	ISSUED FOR CONSTRUCTION	2017 12 05 RBO

DESIGNED BY	NGV	CHECKED BY	RBO
DRAWN BY	GEL	APPROVED BY	RBO
SCALE:	HORIZONTAL AS NOTED	RELEASED FOR CONSTRUCTION	KZ
DATE	2017 12 13	DATE	2017 12 04

CONSULTANT DRAWING NUMBER  
17-0107-020\_LD-8465

METRIC  
WHOLE NUMBERS INDICATE MILLIMETRES  
DECIMALIZED NUMBERS INDICATE METRES