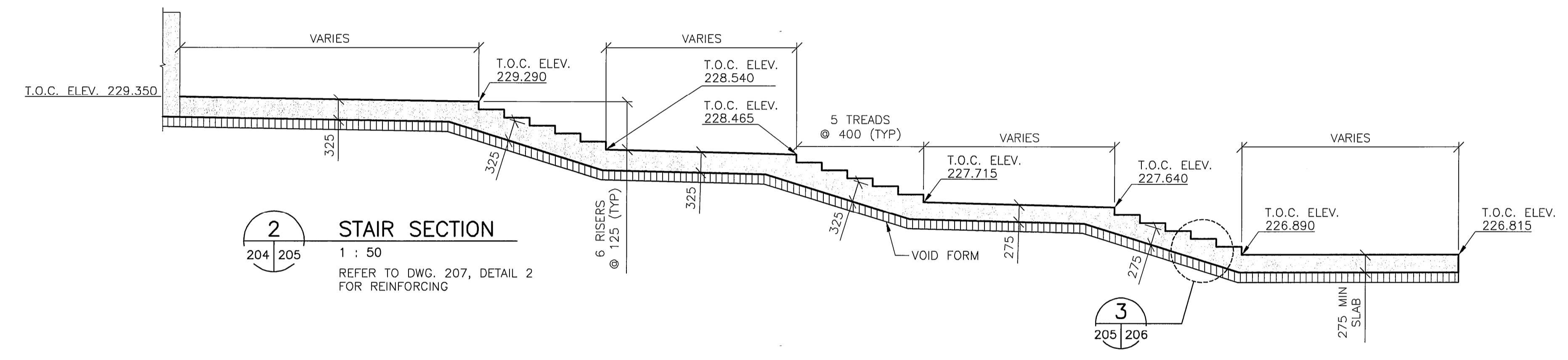
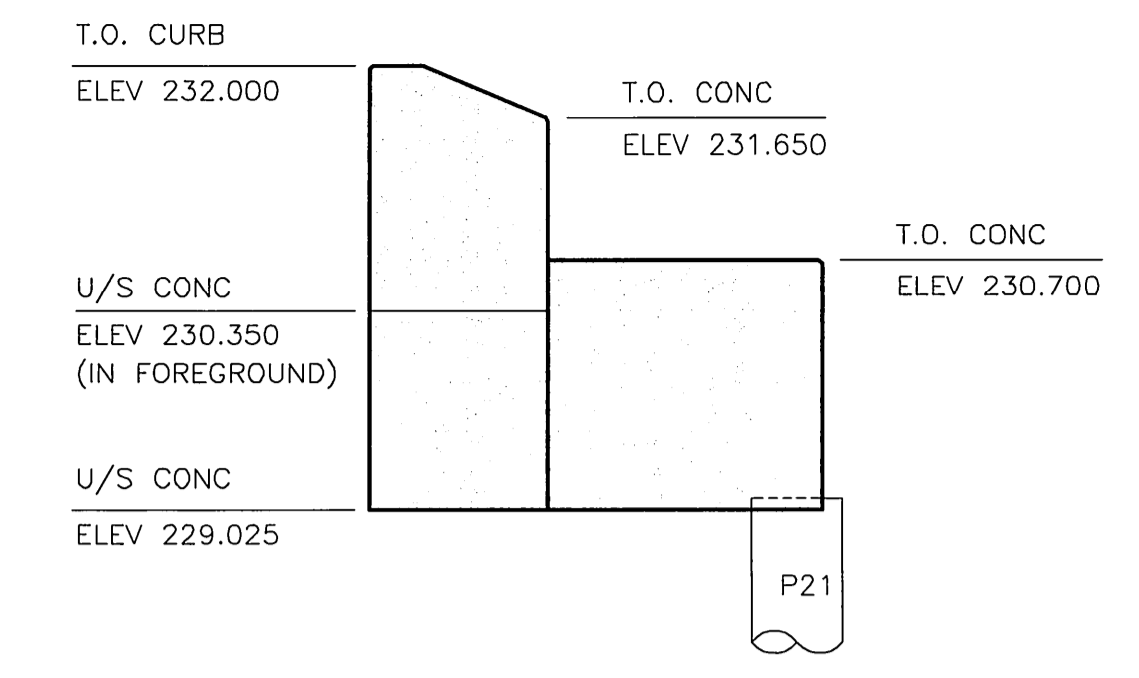


1 WALL ELEVATION
 204 | 205 | 1 : 50
 REFER TO DWG. 207, DETAIL 1 FOR REINFORCING

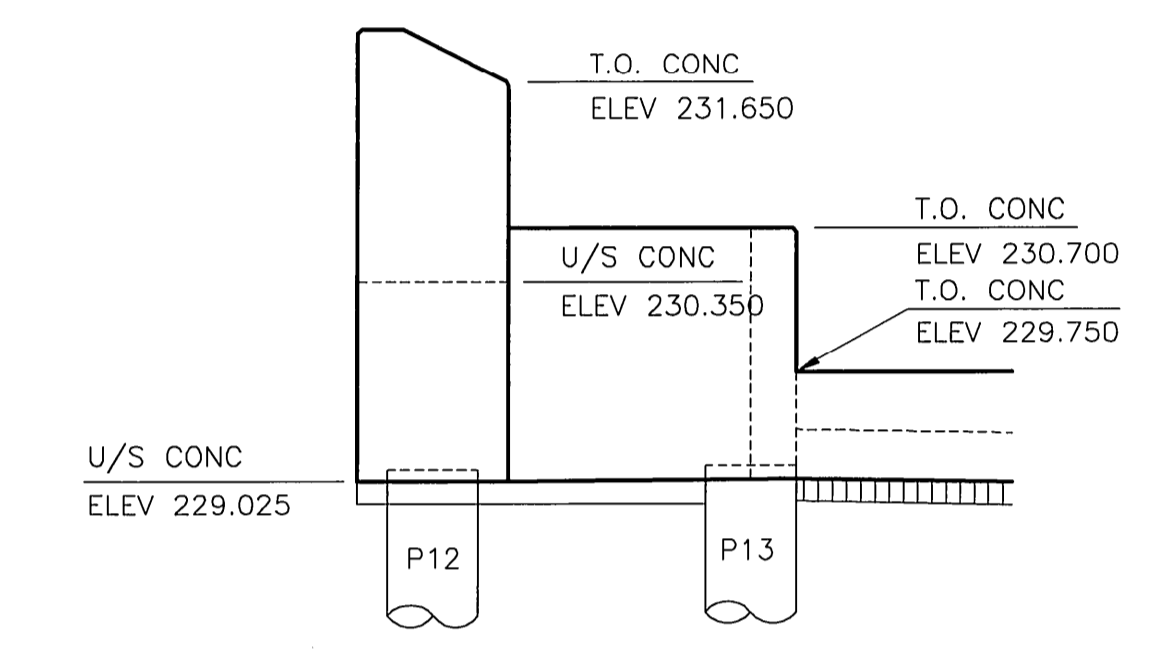


2 STAIR SECTION
 204 | 205 | 1 : 50
 REFER TO DWG. 207, DETAIL 2 FOR REINFORCING

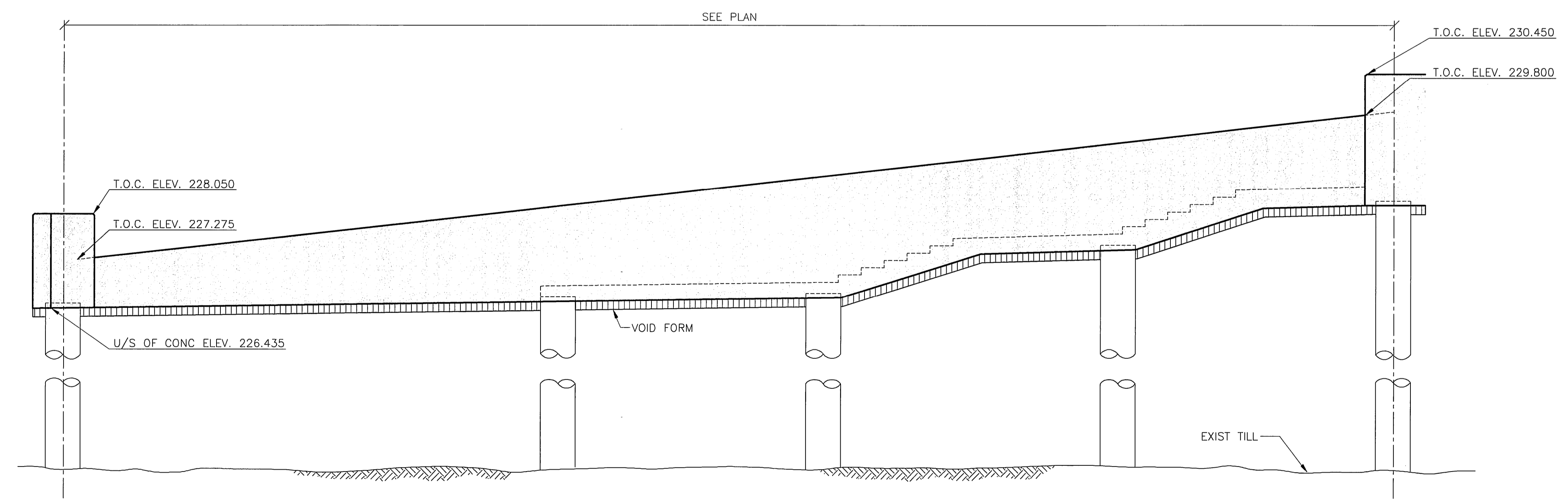
3
 205 | 206



4 SECTION
 204 | 205 | 1 : 50
 - BALUSTRADE AND ABUTMENT NOT SHOWN FOR CLARITY



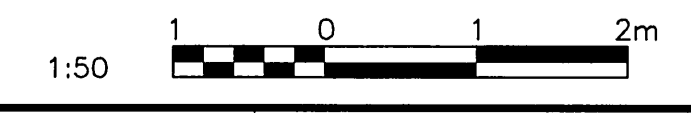
5 SECTION
 204 | 205 | 1 : 50



3 WALL ELEVATION
 204 | 205 | 1 : 50
 REFER TO DWG. 207, DETAIL 3 FOR REINFORCING

RECORD DRAWING
 DATE 05.01.20 BY G.I.
 REVIEWED BY *BF*

APEGM
 Certificate of Authorization
 No. 195
 Expires APRIL 30, 2003
 W.R. HALDANE-WILSONE
 signature
 date 02.05.06



B.M. ELEV.	F.B.	DESIGNED BY	CHECKED BY	DATE
		B.F./R.H.W.	R.H.W.	
		H.P.C.C.	R.v.G.	
2	RECORD DRAWING	05.01.20	<i>BF</i>	
1	ISSUED FOR CONSTRUCTION	02.07.29	R.H.W.	
0	ISSUED FOR TENDER	02.05.06	R.H.W.	
NO.	REVISIONS	DATE	BY	DATE
		02.05.06		

WARDROP Engineering Inc.

ORIGINAL DRAWING
 REVISION "0" SEALED BY
 W.R. HALDANE-WILSONE
 02.05.06

THE CITY OF WINNIPEG
 PUBLIC WORKS DEPARTMENT
 ENGINEERING DIVISION

PROVENCHER PAIRED BRIDGES PROJECT
 PEDESTRIAN BRIDGE

CITY DRAWING NUMBER
B231-02-018
 SHEET OF

WEST ABUTMENT PLAZA
 ELEVATIONS AND SECTIONS

205

CONSULTANT DRAWING NO.
 010007-13-01

HOR. SCALE: AS NOTED
 VERTICAL: ORIGINAL DRAWING SIGNED BY
 B. EBENSPIANGER (02.05.06)
 B. EBENSPIANGER, P. ENG.
 BRIDGE DESIGN AND PROJECTS ENGINEER