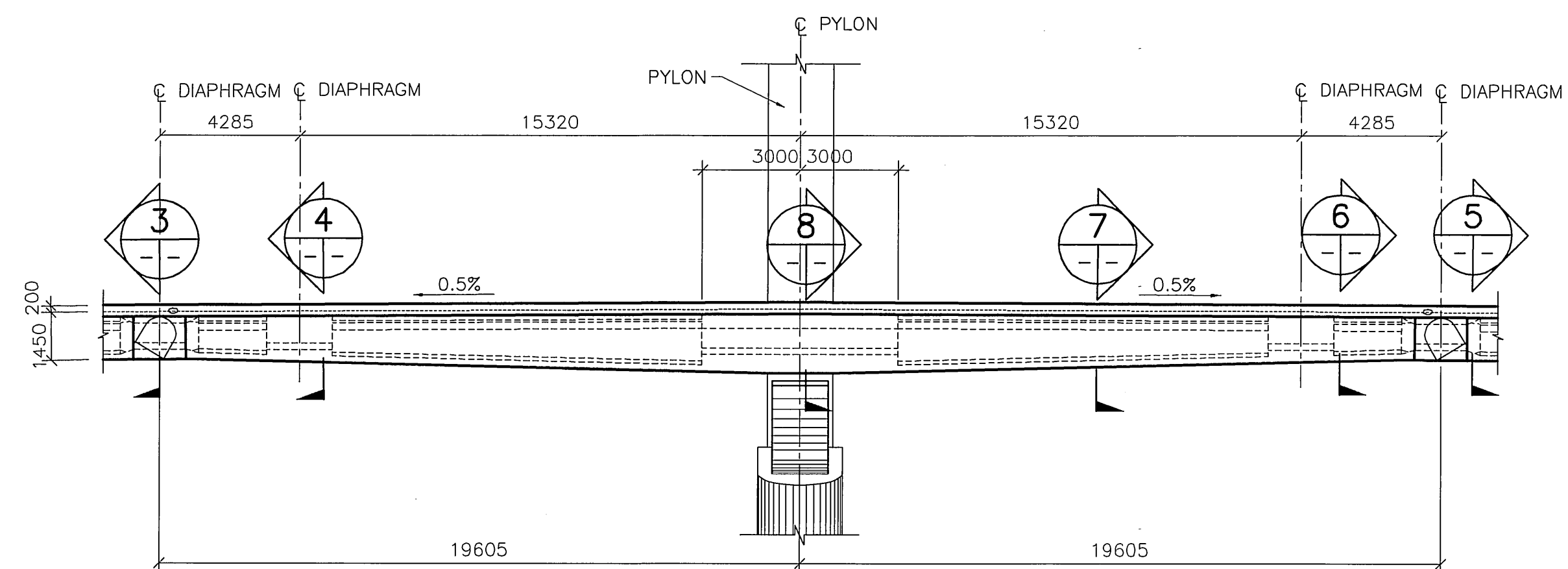
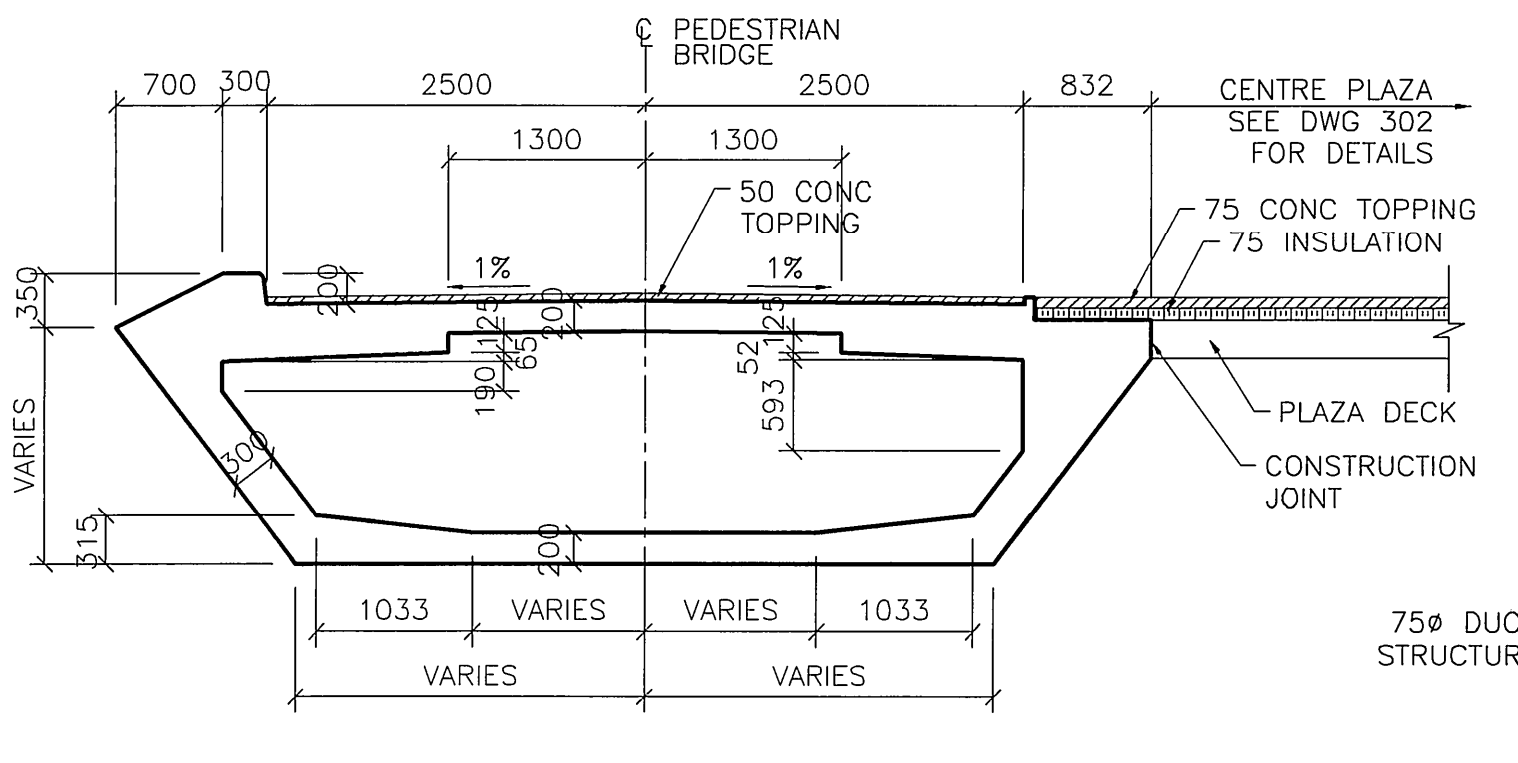


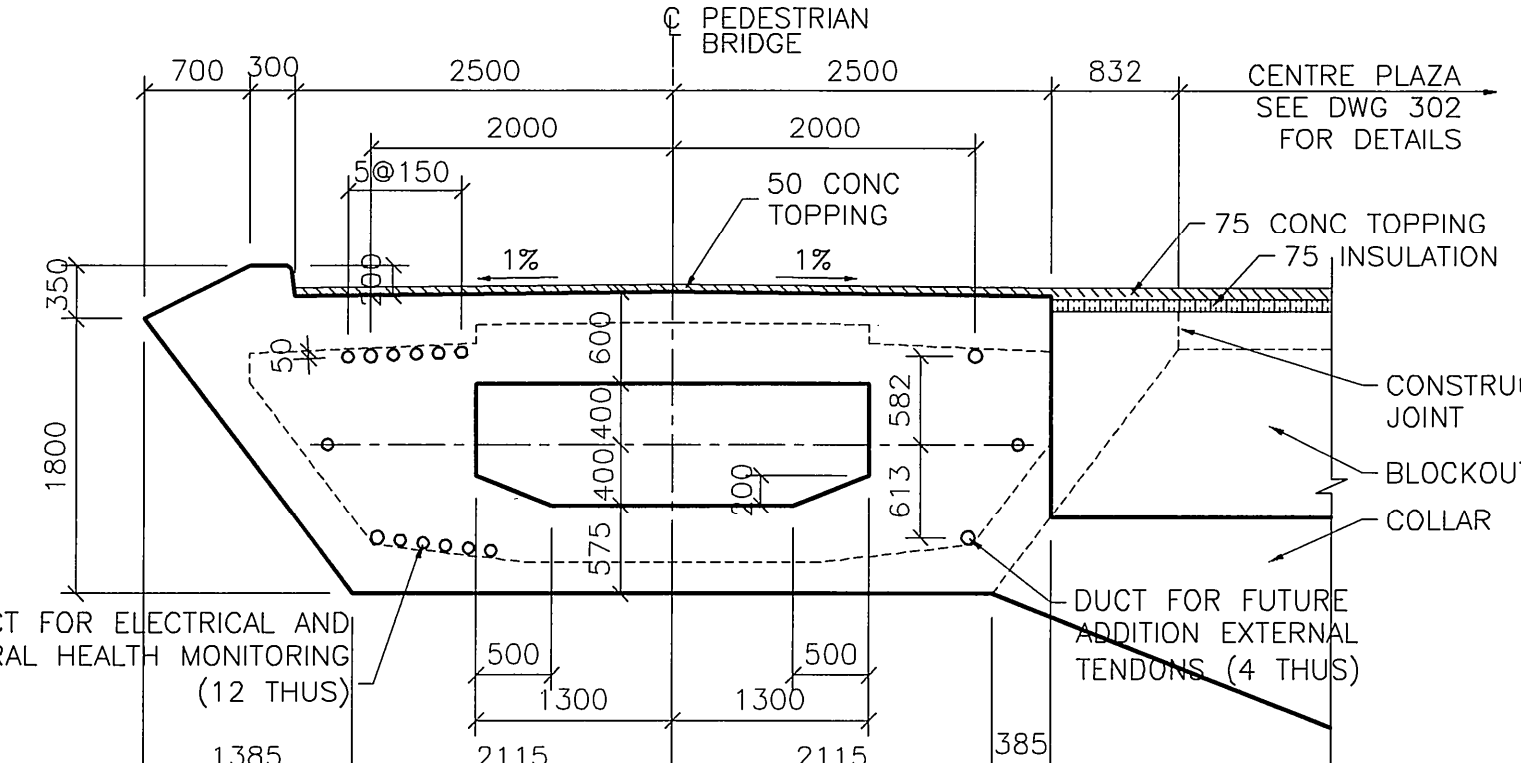
1 PLAN - MAIN WALKWAY GIRDER @ CENTRE PLAZA
1 : 150



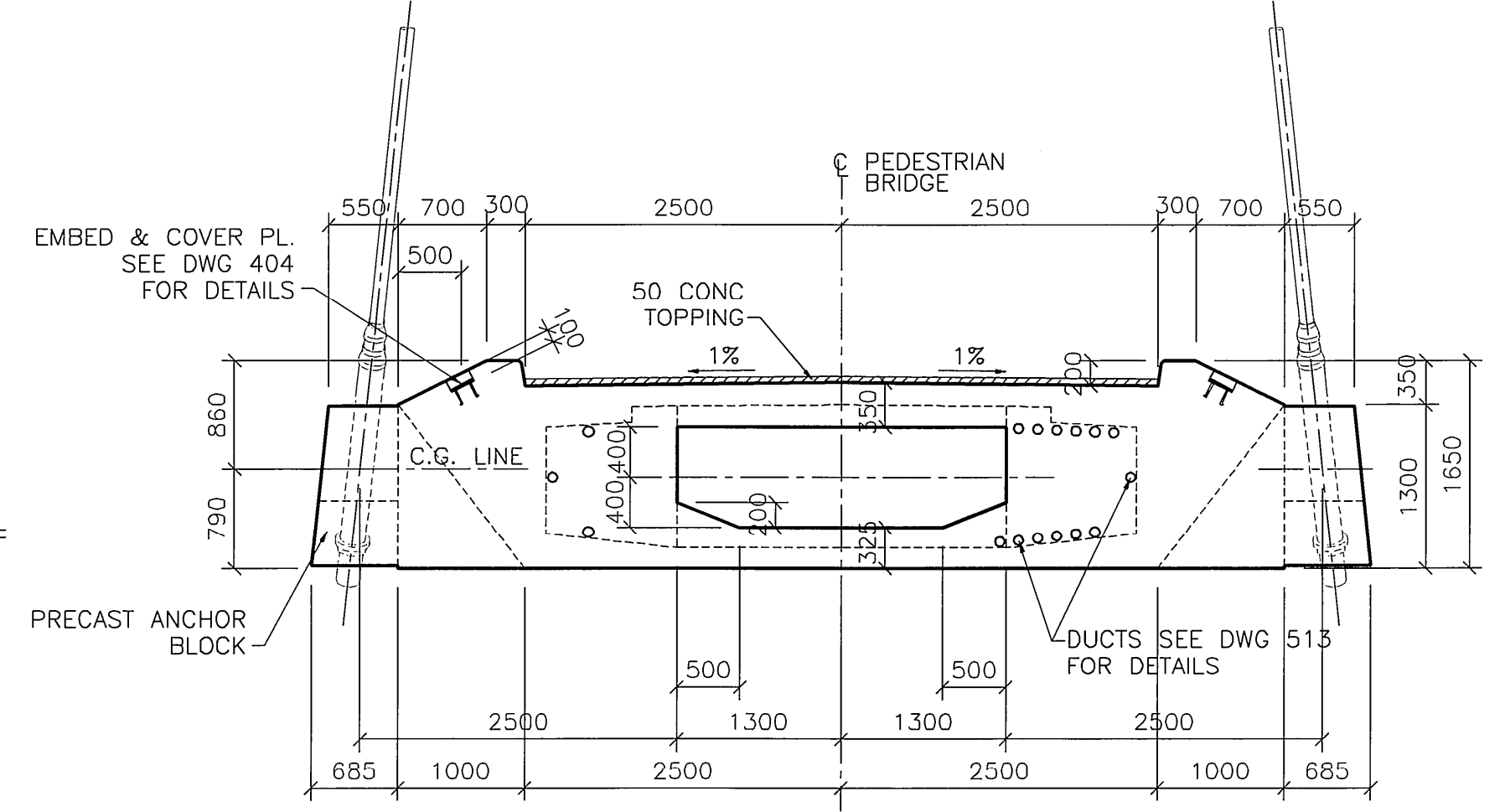
2 ELEVATION
1 : 150



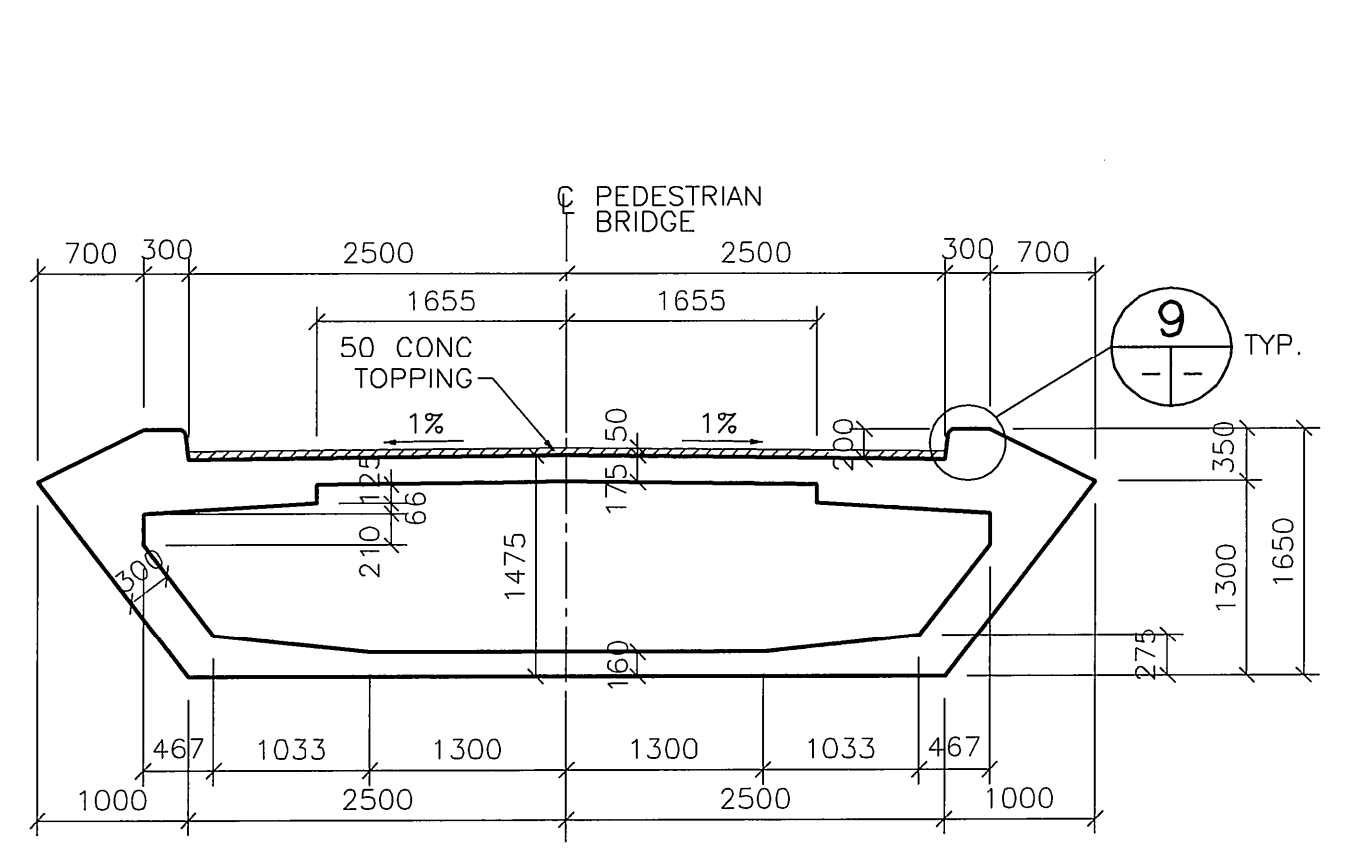
7 SECTION
1 : 50



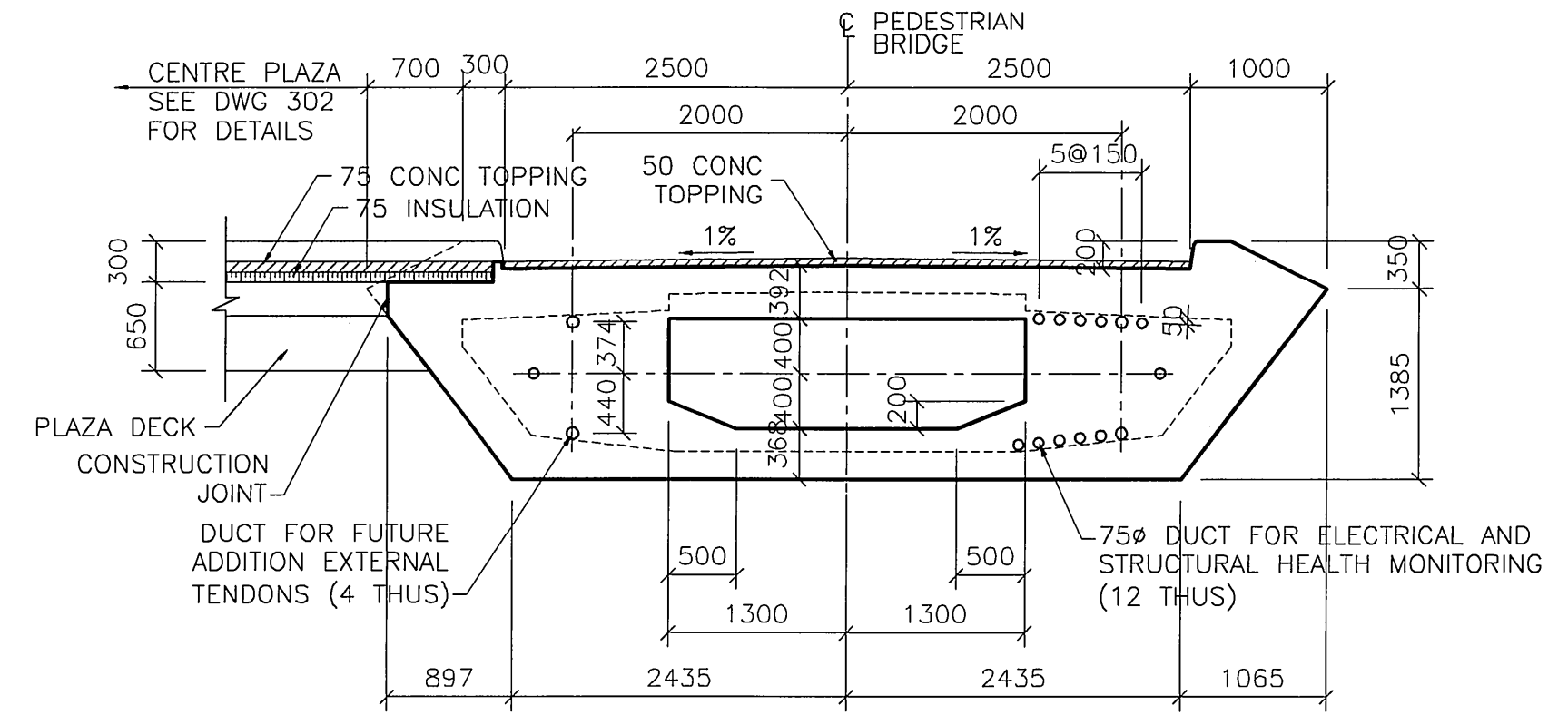
8 SECTION
1 : 50



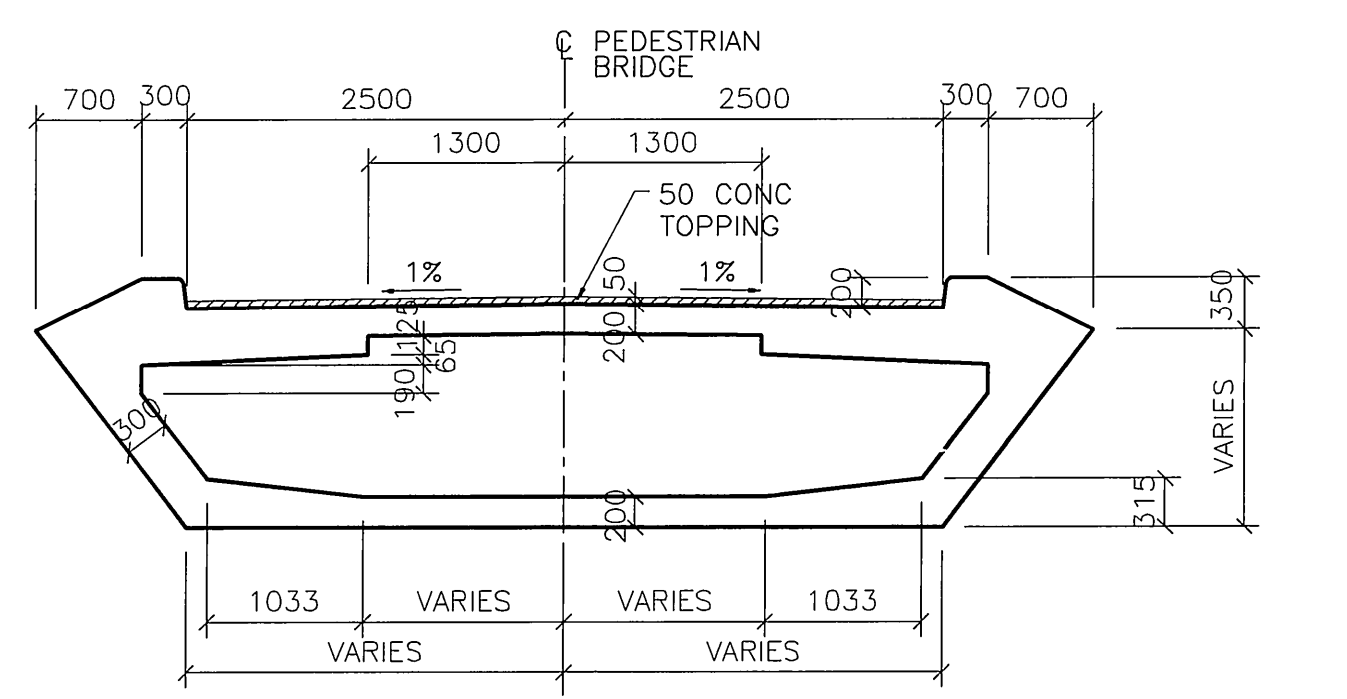
3 SECTION
1 : 50



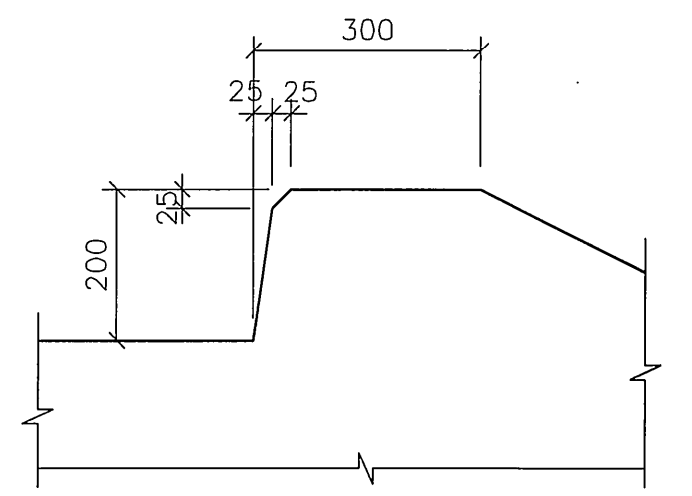
5 SECTION
1 : 50



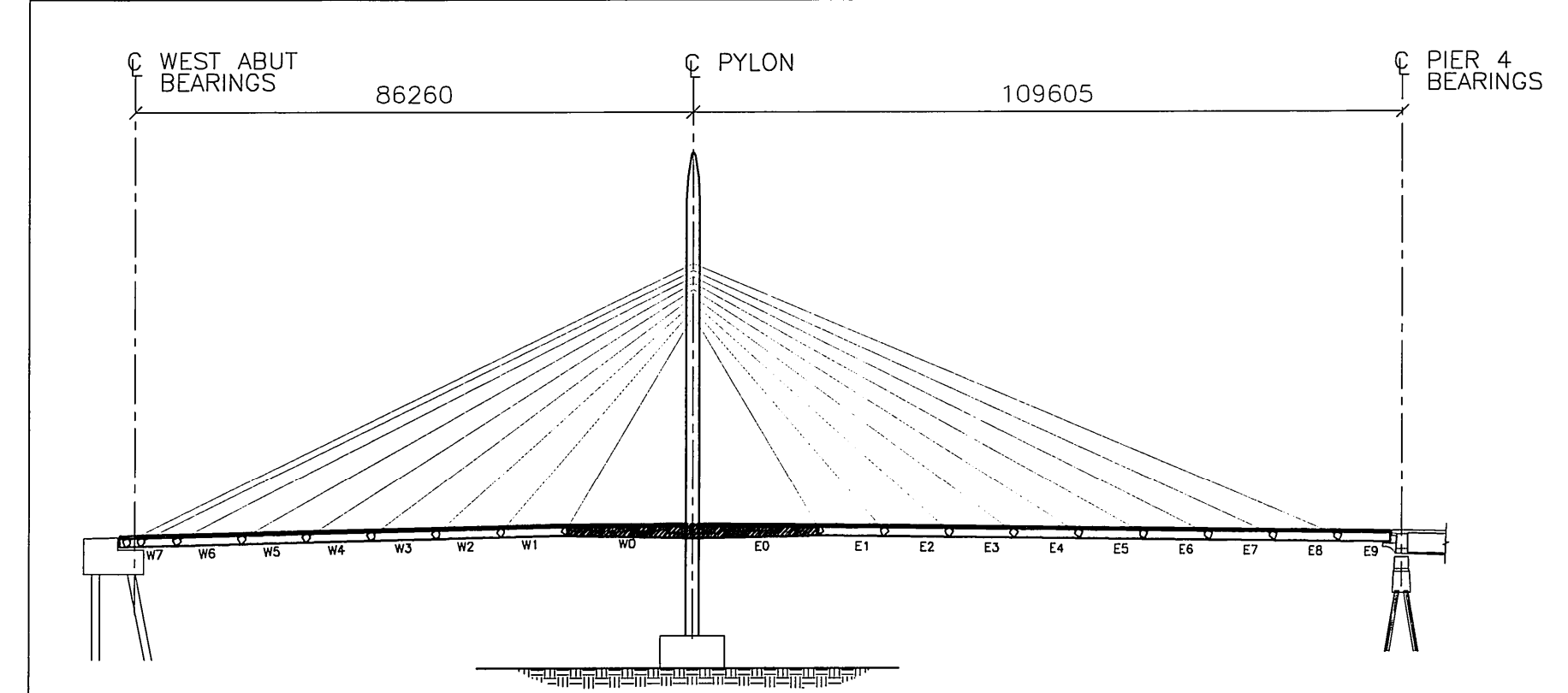
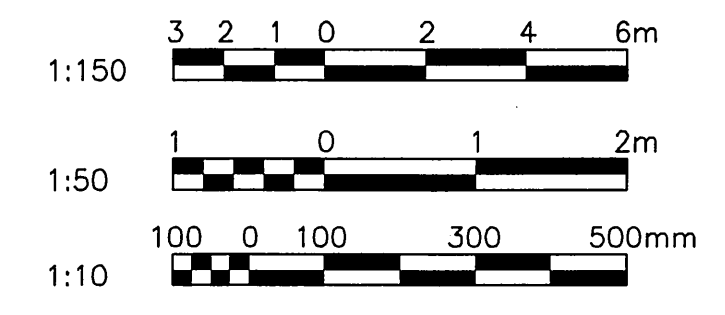
4 SECTION
1 : 50



6 SECTION
1 : 50



9 CHAMFER DETAIL
1 : 10



APCGM
Certificate of Authorization
No. 195
Expires APRIL 30, 2003
D. YANG
signature
02.05.06
date

RECORD DRAWING
DATE 05.01.20 BY G.I.
REVIEWED BY *BF*

NO.	REVISIONS FOR TENDER	DATE	BY
4	RECORD DRAWING	05.01.20	<i>BF</i>
3	GENERAL REVISIONS	03.01.27	D.Y.
2	GENERAL REVISIONS	02.09.25	D.Y.
1	ISSUED FOR CONSTRUCTION	02.07.29	R.H.W.
0	ISSUED FOR TENDER	02.05.06	D.Y.

DESIGNED BY	CHECKED BY
D.Y./N.D.	D.Y.
DRAWN BY	APPROVED BY
N.D.	R.v.G.
HOR. SCALE:	DATE
AS NOTED	
ACCEPTED BY	DATE
B. EBENSPIGGER P. ENG.	02.05.06

ORIGINAL DRAWING
REVISION "0" SEALED BY
D. YANG
02.05.06
CONSULTANT DRAWING NO.
010007-13-01

THE CITY OF WINNIPEG
PUBLIC WORKS DEPARTMENT
ENGINEERING DIVISION

PROVENCHER PAIRED BRIDGES PROJECT
PEDESTRIAN BRIDGE

CITY DRAWING NUMBER
B231-02-054
SHEET OF

CENTRE PLAZA - MAIN WALKWAY GIRDER
PLAN, SECTIONS AND DETAILS

502