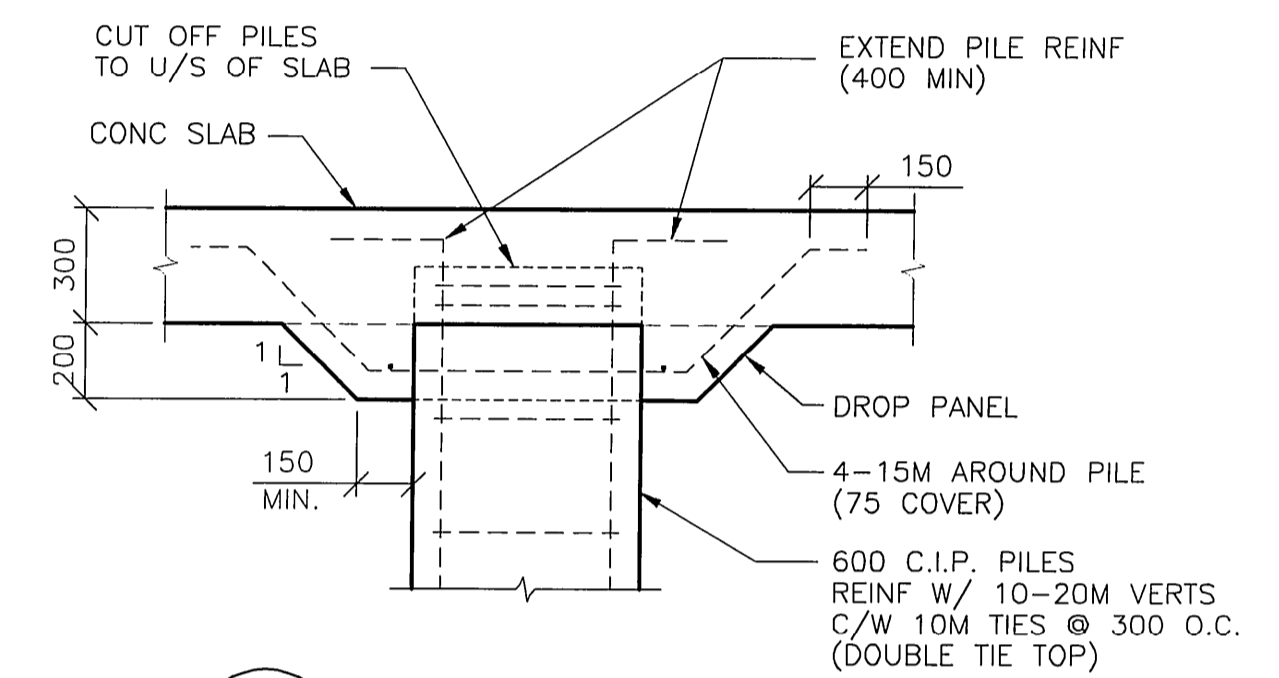


STEEL PILES (HP 310x110)			
Mk. No.	CUT-OFF ELEV	COORDINATES	
		NORTHING	EASTING
P1	224.950	10372.299	9863.666
P2	224.950	10368.401	9867.401
P3	224.950	10363.570	9870.262
P4	224.950	10360.563	9874.911
P5	225.400	10356.665	9878.646
P6	224.950	10371.575	9870.713
P7	225.480	10359.945	9882.069

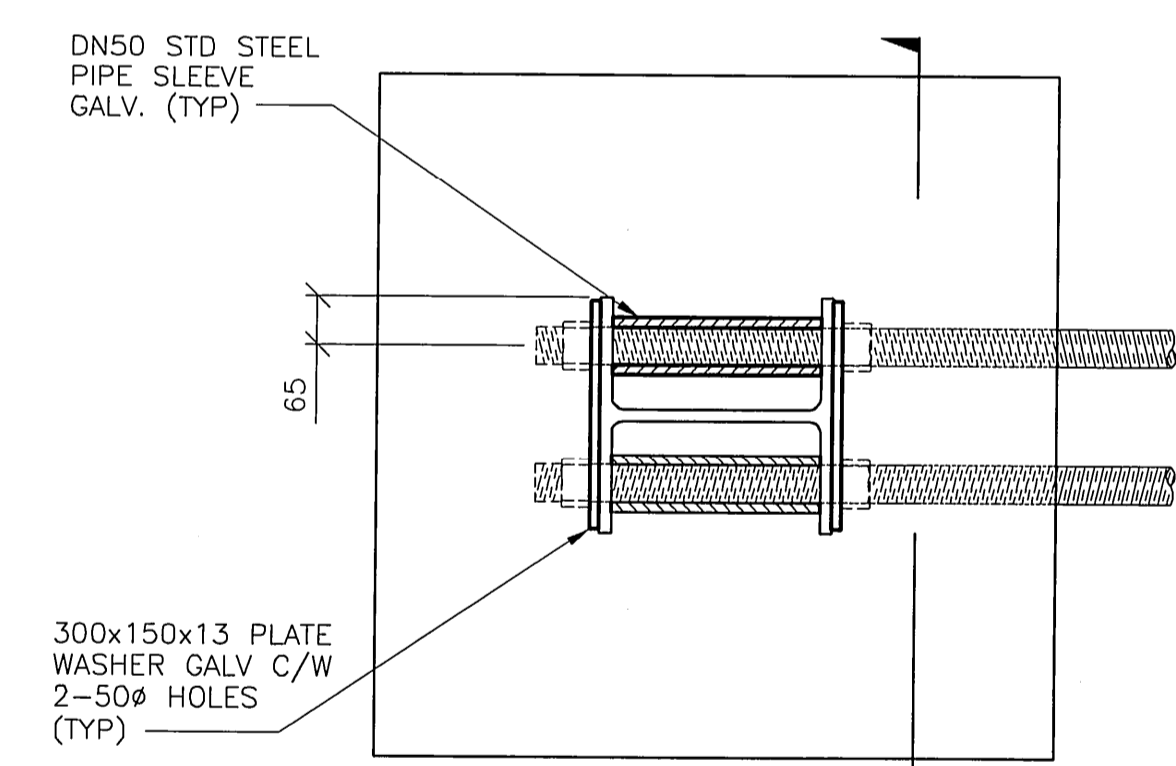
457Ø CAST-IN-PLACE PILES			
Mk. No.	CUT-OFF ELEV	COORDINATES	
		NORTHING	EASTING
P18*	228.570	10356.871	9914.974
P19*	225.760	10347.579	9903.906

* - REFER TO DWG 1222C FOR LIGHT POLE CONNECTION DETAILS

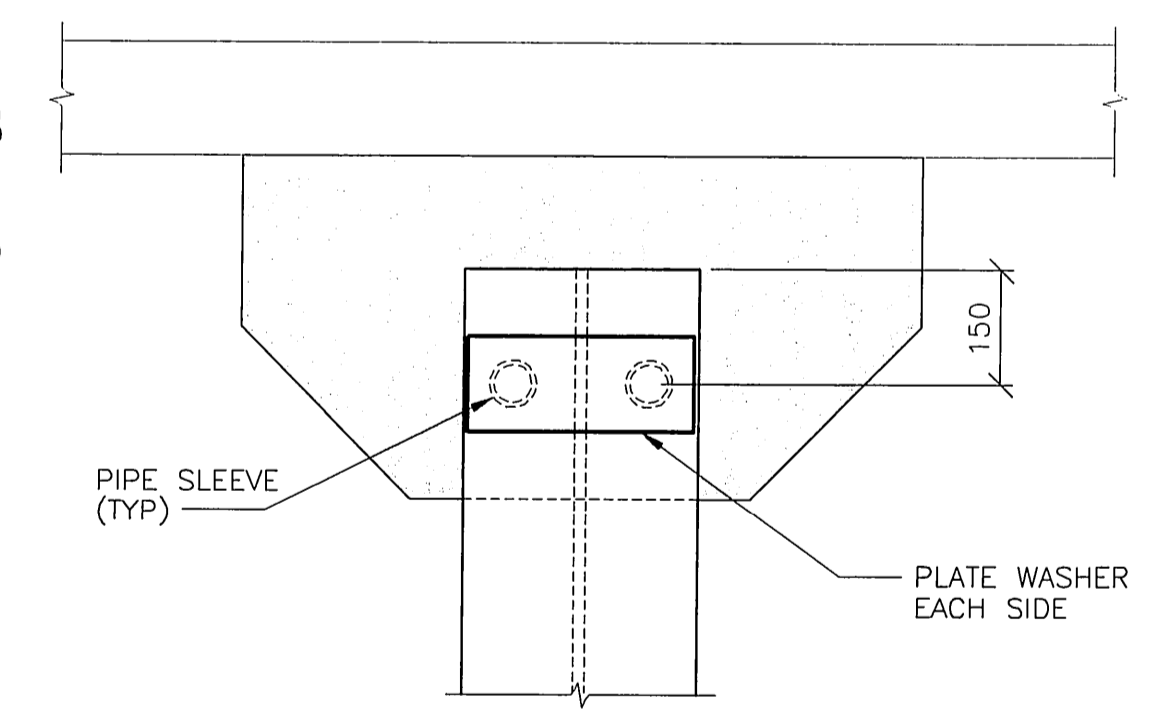
600Ø CAST-IN-PLACE PILES			
Mk. No.	CUT-OFF ELEV	COORDINATES	
		NORTHING	EASTING
P8	227.790	10364.693	9890.008
P9	227.790	10367.024	9889.396
P10	227.870	10367.486	9896.444
P11	227.870	10370.140	9893.895
P12	228.870	10368.231	9899.968
P13	228.870	10373.649	9894.797
P14	229.190	10374.547	9899.851
P15	229.705	10376.693	9900.764
P16	230.435	10380.485	9901.625
P17*	228.375	10381.544	9885.998



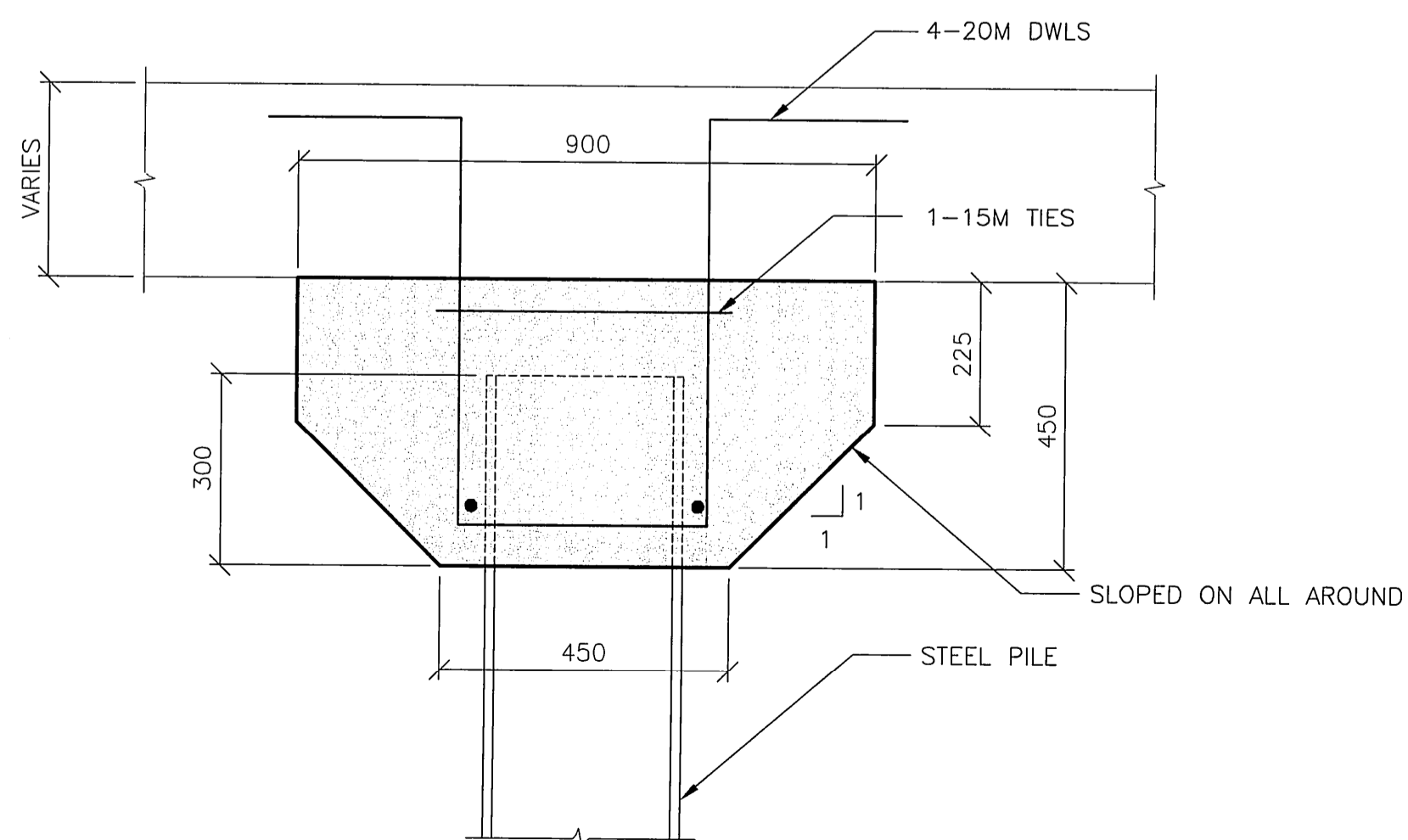
3 DETAIL - 600Ø C.I.P.
1 : 20
- TYPICAL FOR PILES P8 TO P16 INCL.



4 DETAIL
1 : 10



5 SECTION
1 : 10

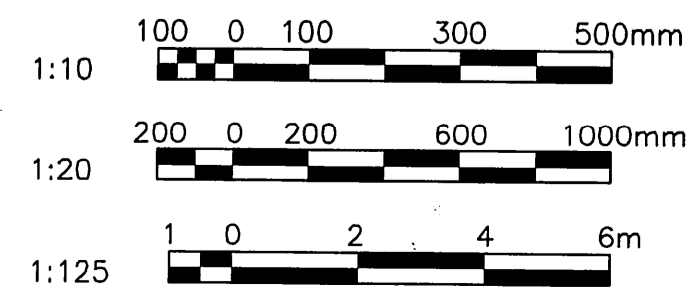


2 PILE CAP FOR HP 310
1 : 10

1 PILE LAYOUT - EAST LANDING
1 : 125

RECORD DRAWING
DATE 05.01.20 BY G.I.
REVIEWED BY *BF*

APEGM
Certificate of Authorization
Wardrop Engineering Inc.
No. 195 Expiry: April 30, 2004



B.M. ELEV.	F.B.	DESIGNED BY	CHECKED BY	DRAWN BY	APPROVED BY	HOR. SCALE:	VERTICAL:	DATE	BY
		S.B./C.R.M.	C.R.M.	G.I.	R.H.W.	AS NOTED			
								03.10.10	B. EBENSCHNER, P.ENG. BRIDGE DESIGN AND PROJECTS ENGINEER

WARDROP Engineering Inc.
ORIGINAL DRAWING REVISION "0" SEALED BY C.R. MICHALUK 03.10.10
CONSULTANT DRAWING NO. 010007-13-05

THE CITY OF WINNIPEG
PUBLIC WORKS DEPARTMENT
ENGINEERING DIVISION

PROVENCHER PAIRED BRIDGES PROJECT
PEDESTRIAN BRIDGE

EAST LANDING
PILE LAYOUT AND DETAILS

CITY DRAWING NUMBER **B231-02-125**
SHEET OF

1401C