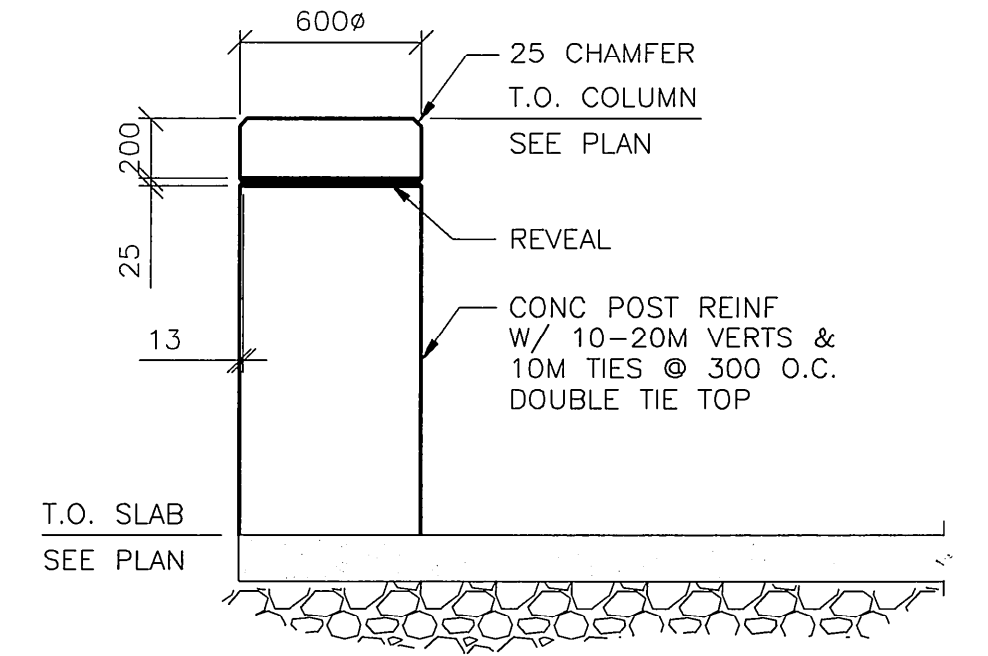
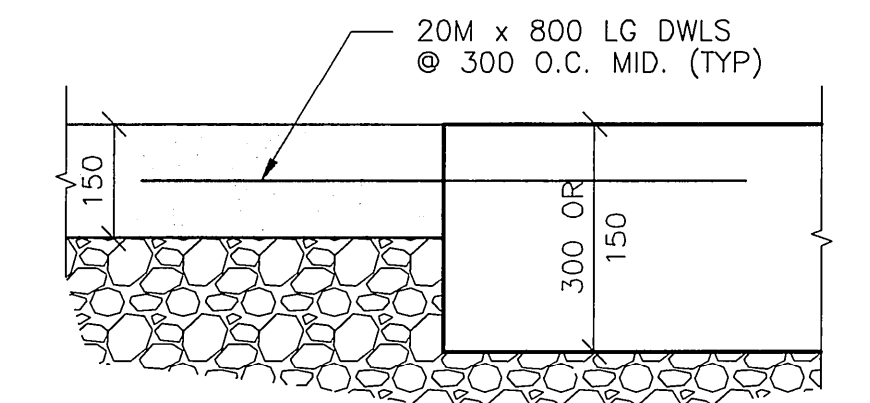


1 PLAN - EAST LANDING
 1 : 75
 - SEE DWG 1402C FOR WALL AND LAYOUT DIMENSIONS
 - SEE DWG 1411C FOR PATHWAY LAYOUT



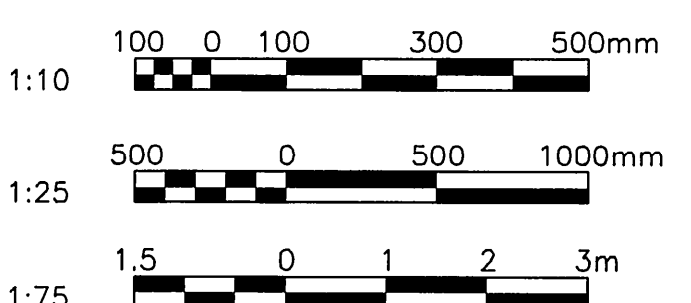
2 TYP POST DETAIL
 1 : 25



3 TYPICAL CONSTRUCTION JOINT DETAIL
 1 : 10

RECORD DRAWING
 DATE 05.01.20 BY G.I.
 REVIEWED BY BF

APEGM
 Certificate of Authorization
 Wardrop Engineering Inc.
 No. 195 Expiry: April 30, 2004



B.M. ELEV.	F.B.	REVISION NO.	DESCRIPTION	DATE	BY
		1	RECORD DRAWING	05.01.20	BF
		0	ISSUED FOR CCO No. 45	03.10.10	C.R.M.

WARDROP Engineering Inc.	DESIGNED BY S.B./C.R.M.	CHECKED BY C.R.M.
	DRAWN BY G.I.	APPROVED BY R.H.W.
	HOR. SCALE: AS NOTED	ACCEPTED BY DATE
	VERTICAL:	DATE 03.10.10
		B. EBENSCHNEIDER, P. ENG. BRIDGE DESIGN AND PROJECTS ENGINEER

ORIGINAL DRAWING REVISION "0" SEALED BY C.R. MICHALUK 03.10.10

CONSULTANT DRAWING NO. 010007-13-05

THE CITY OF WINNIPEG
 PUBLIC WORKS DEPARTMENT
 ENGINEERING DIVISION

PROVENCHER PAIRED BRIDGES PROJECT
 PEDESTRIAN BRIDGE

EAST LANDING
 STAIR AND LANDING ELEVATIONS

CITY DRAWING NUMBER B231-02-127
 SHEET OF

1403C